

# Threaded Gun Accessories



## Top Sub Part Numbers

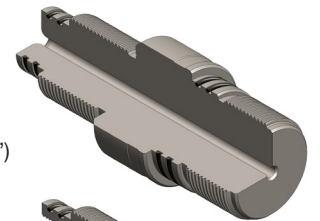
2-3/4" (70mm) top subs and larger have upper head connections that are compatible with GO and SIE style Quick Change Assemblies. Each style provides two options – teardrop connections, being the preferred method, and pig tail connections.

For GO Quick Change Assemblies, firing head seal block assembly with teardrop connection 0271-000-020 (2-3/4") or 0256-000-020 (3-1/8") is connected directly into the quick change. If using pigtail assembly 0256-000-010, then detonator block 0271-000-013 (2-3/4") and 0256-000-013 (3-1/8") is connected into the quick change.

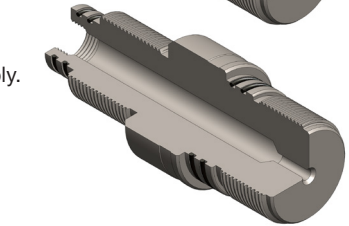
For SIE Quick Change Assemblies, contact block assembly 0260-000-040 is coupled with blast plug (teardrop connector style 0330-000-190. Third party rubber blast plugs can be used when opting to use a pig tail assembly.

Gun Size (in)[mm]	Top Sub	Upper O-Ring†	Lower O-Ring†	Upper Head Connection‡
1-3/8 [35]	0227-000-001	-	0111-120-090	1-3/16" - 12 GO Box
1-9/16 [40]	0220-000-001	-	0111-215-090	1-3/16" - 12 GO Box
2 [51]	0222-000-001	-	0111-221-090	1-3/16" - 12 GO Box
2-1/2 [64]	0228-000-001	-	0111-225-090	1-3/16" - 12 GO Box
2-3/4 [70] 2-7/8 [73]	0362-000-001	-	0111-227-090	1-3/16" - 12 GO Box
	0362-000-###	0111-227-090	0111-227-090	2-3/4" O.D. GO Quick-Change Assembly
	0362-000-^^^	0111-222-090	0111-227-090	2-3/4" O.D. SIE Quick-Change Assembly
3-1/8 [79]	0363-000-0**	0111-230-090 GO style	0111-230-090	3-1/8" O.D. GO Quick-Change and 3-1/8" O.D. SIE Quick-Change
3-3/8 [86]	0365-000-0**		0111-231-090	
4 [102] Scalloped 4 [102] Economical	0400-000-0** 0640-000-0**	0111-222-090 SIE style	0111-236-090	3-1/8" O.D. SIE Quick-Change
4-1/2 [114] 4-5/8 [117]	0445-000-0**		0111-342-090	
7 [178]	0338-000-0**		0111-360-090	

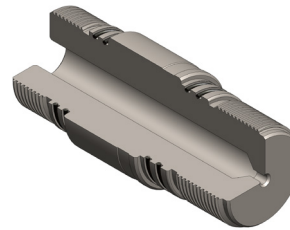
† Viton O-rings need to be used above 325°F (163°C) ‡ Refer to GunFacts for lower head connection thread  
 ### Use "101" for GO style pig tail connection; "107" for GO style teardrop connection  
 ^^ Use "104" for SIE style pig tail connection; "184" for SIE style blast plug connection  
 \*\* Use "01" for GO style pig tail connection; "07" for GO style teardrop connection  
 \*04" for SIE style pig tail connection; "84" for SIE blast plug connection



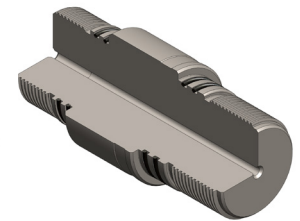
SIE Quick Change top subs



GO Box top sub



GO Quick Change top subs

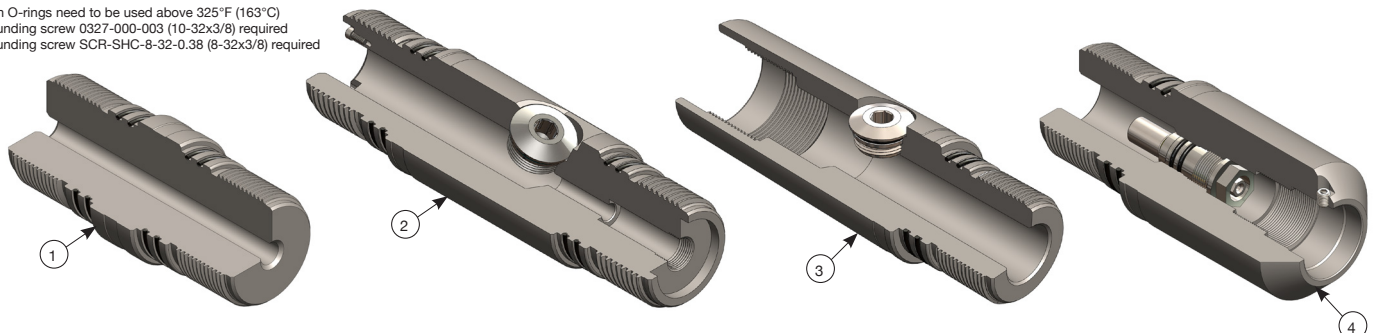


04 Accessories

## Tandem, Arming and Plug Shoot Adapter Part Numbers

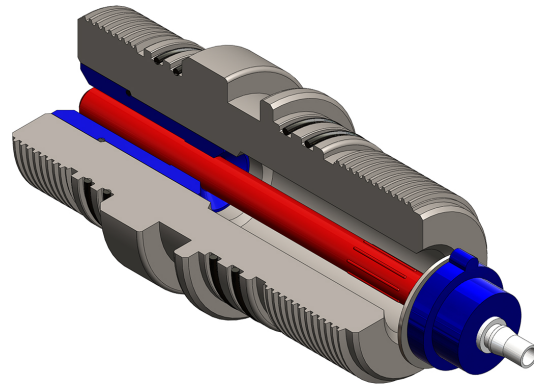
Gun Size (in)[mm]	1	2	3	4	O-Ring†	Port Plug	Port Plug O-Ring†	Plug Shoot Contact Kit
	Tandem Adapter	EB Switch Tandem Adapter Assembly w/ Port	Arming Sub Adapter Assembly w/ Port	Plug Shoot Adapter Assembly				
1-3/8 [35]	0227-000-002‡	-	-	-	0111-120-090	-	-	-
1-9/16 [40]	0220-000-002‡	0220-000-269A	0220-012-001A	0220-000-245A	0111-215-090	0323-000-066	0111-114-090	0320-000-238
2 [51]	0222-000-002‡	0222-000-268A	0222-012-001A	0222-000-245A	0111-221-090	0331-90S-181	0330-900-073	0320-000-238
2-1/2 [64]	0228-000-002‡	0228-000-268A	0228-012-001A	0228-000-245A	0111-225-090	0331-90S-181	0330-900-073	0320-000-238
2-3/4 [70] 2-7/8 [73]	0362-000-002	0362-000-489A§	0362-000-366A	0362-000-245A	0111-227-090	0363-000-361	0111-217-090	0330-000-238
3-1/8 [79]	0363-000-002	0363-000-489A§	0363-000-366A	0363-000-245A	0111-230-090	0363-000-361	0111-217-090	0330-000-238
3-3/8 [86]	0365-000-002	0365-000-489A§	0365-000-366A	0365-000-245A	0111-231-090	0363-000-361	0111-217-090	0330-000-238
4 [102] Scalloped 4 [102] Economical	0400-000-002	0400-000-389A§ 0640-000-389A§	0400-000-366A 0640-000-366A	0400-000-245A 0640-000-245A	0111-236-090	0363-000-361	0111-217-090	0330-000-238
4-1/2 [114] 4-5/8 [117]	0445-000-002	0445-000-389A§	0445-000-366A	0445-000-245A	0111-342-090	0363-000-361	0111-217-090	0330-000-238
7 [178]	0338-000-002	-	-	-	0111-360-090	-	-	-

† Viton O-rings need to be used above 325°F (163°C)  
 ‡ Grounding screw 0327-000-003 (10-32x3/8) required  
 § Grounding screw SCR-SHC-8-32-0.38 (8-32x3/8) required



## BOOSTER-TO-BOOSTER TOP SUB PART NUMBERS

Booster-to-booster connections are typically associated with TCP operations. However, they can also be utilized for wireline perforating when using Hunting's Wireline Top Fire Detonator Systems. This system is not compatible with 4in (114mm) Economical Casing Guns.



Gun Size (in)[mm]	Top Sub	Booster Transfer Kit	Upper O-Ring†	Lower O-Ring†	Upper Head Connection‡
1-3/8 [35]	0527-000-001	0520-500-150 (Blue)	0111-120-090	0111-120-090	1-1/8" - 12 Stub Acme Pin
1-9/16 [40]	0520-000-021	0520-500-150 (Blue)	0111-215-090	0111-215-090	1-9/32" - 12 Stub Acme Pin
2 [51]	0522-000-021	0520-500-150 (Blue)	0111-215-090	0111-221-090	1-9/32" - 12 Stub Acme Pin
2-1/2 [64]	0528-000-021	0520-500-150 (Blue)	0111-215-090	0111-225-090	1-9/32" - 12 Stub Acme Pin
2-3/4 [70] 2-7/8 [73]	0562-000-01	0504-500-150 (White)	0111-225-090 (TCP) 0111-227-090 (WL)	0111-227-090	2-1/8" - 8 Acme Pin (TCP) 2-3/4" O.D. GO Quick-Change (WL)
3-1/8 [79]	0502-000-001	0503-500-150 (Red)	0111-230-090	0111-230-090	3-1/8" O.D. GO Quick-Change
3-3/8 [86]	0503-000-001	0503-500-150 (Red)	0111-230-090	0111-231-090	3-1/8" O.D. GO Quick-Change
4 [102] Scalloped	0504-000-001	0504-500-150 (White)	0111-230-090	0111-236-090	3-1/8" O.D. GO Quick-Change
4-1/2 [114] 4-5/8 [117]	0514-000-001	0514-500-150 (Black)	0111-230-090	0111-342-090	3-1/8" O.D. GO Quick-Change
7 [178]	0507-000-001	0506-500-150 (Tan)	0111-230-090	0111-360-090	3-1/8" O.D. GO Quick-Change

† Viton O-rings need to be used above 325°F (163°C) ‡ Refer to GunFacts for lower head connection thread  
 \* Use "0" for TCP firing system; "1" for wireline top fire system

## Booster-to-Booster Tandem Sub Part Numbers

Booster-to-booster connections are typically associated with TCP operations. However, they can also be utilized for wireline perforating when using Hunting's Wireline Top Fire Detonator Systems. This system is not compatible with 4in (114mm) Economical Casing Guns.

Gun Size (in)[mm]	Tandem Sub	Booster Transfer Kit	O-Ring†
1-3/8 [35]	0527-000-032	0520-500-160 (Blue)	0111-120-090
1-9/16 [40]	0520-000-032	0520-500-160 (Blue)	0111-215-090
2 [51]	0522-000-032	0520-500-160 (Blue)	0111-221-090
2-1/2 [64]	0528-000-032	0520-500-160 (Blue)	0111-225-090
2-3/4 [70] 2-7/8 [73]	0562-000-032	0504-500-160 (White)	0111-227-090
3-1/8 [79]	0502-000-032	0503-500-160 (Red)	0111-230-090
3-3/8 [86]	0503-000-032	0503-500-160 (Red)	0111-231-090
4 [102] Scalloped	0504-000-032	0504-500-160 (White)	0111-236-090
4-1/2 [114] 4-5/8 [117]	0514-000-032	0514-500-160 (Black)	0111-342-090
7 [178]	0507-000-032	0506-500-160 (Tan)	0111-360-090

† Viton O-rings need to be used above 325°F (163°C)

