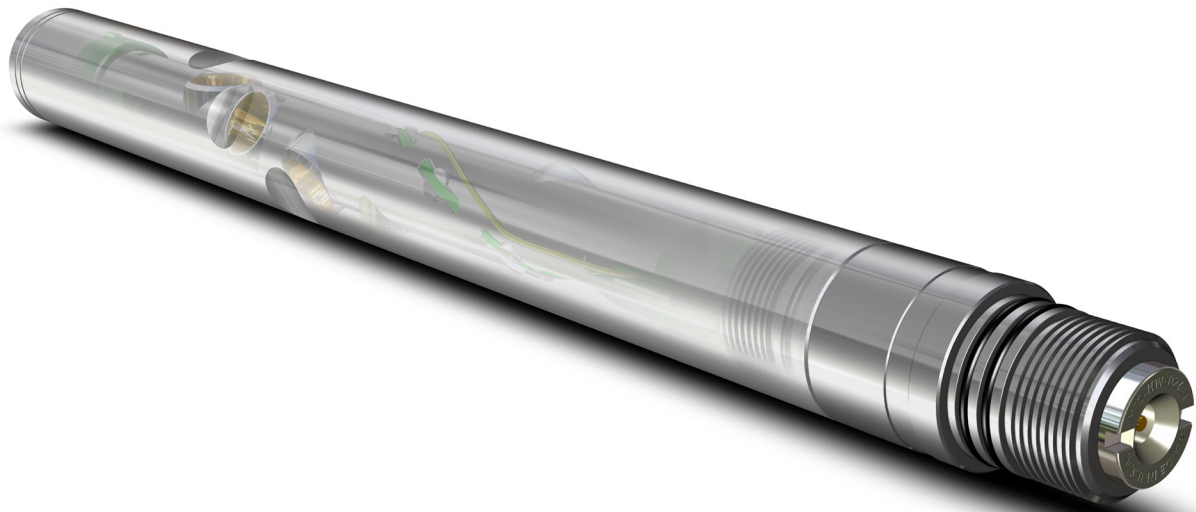


E-Gun™



Plug-and-Play Perforating Guns,
Hardware, & Expendable Items

Titan Division | Perforating Systems

E-Gun String - Wireline

CCL Bottom Sub 0257-200-014 Top Sub Assembly 0363-000-190

Cablehead Assembly 3916-00L-0ST Fish Neck Assembly 3918-000-000 CCL Assembly 0257-H-1-011 Quick-Change Assembly 3271-312-030

E-Gun™ Perforating System

Hunting's Efficiency Gun (E-Gun) is a pre-wired, plug-and-play perforating gun that eliminates wire connections and tandem sub maintenance by the user. E-Gun accepts all standard-loading shaped charges and features ControlFire® Cartridge technology, simplifying the arming process.

Features ▶

- Utilizes ESUB® with ControlFire® Cartridge
- Pre-wired and pre-assembled
- Available in a variety of gun lengths
- Uses standard-loading shaped charges

Benefits ▶

- Fast, wire-free arming
- No field wire connections
- Gun applications from 2" through 3-3/8" OD
- Cost effective plug-and-play system

Specifications

Mechanical	Outside Diameter (O.D.)					
	2"	2-1/2"	2-3/4"	3-1/8"	3-3/8"	
Nominal O.D. (in)[mm]	2.03 [52]	2.50 [64]	2.75 [70]	3.13 [79]	3.38 [86]	
Nominal Thickness (in)[mm]	0.21 [5.3]	0.25 [6.4]	0.31 [8.0]	0.31 [7.9]	0.37 [9.4]	
Typical Gun Swell (in)[mm] Ambient Liquid Conditions	4/0°	2.16 [55]	2.71 [69] @ 11.0g	2.96 [75]	3.31 [84]	3.61 [92]
	6/60°	2.19 [56]	2.69 [68] @ 11.0g	2.97 [75]	3.28 [83]	3.58 [91]
Min. I.D. Running Restriction (in)[mm]	2.25 [57]	2.71 [69]	3.05 [77]	3.58 [91]	3.80 [97]	
Drift Gauge O.D. for Gun Body I.D. (in)[mm] using Gauge Length 12in [305]	1.58 [40]	1.98 [50]	2.07 [53]	2.44 [62]	2.56 [65]	
Min. Washover Pipe Clearance: Casing Drift I.D. to Nominal Washover O.D. Washover Drift I.D. to Nominal Gun O.D.	-	-	-	0.38 [10] 0.31 [8]	-	
Min. Detonating Cord Velocity (ft/s)[m/s]	22,000 [6,700]	21,000 [6,400]	22,000 [6,700]	22,000 [6,700]	23,600 [7,200]	
Upper & Lower Head Connection	1-11/16"-8 Stub Acme	2-1/8"-8 Acme	2-3/8"-6 Acme	2-3/4"-6 Acme	2-13/16"-6 Acme	
Max. Tension (lbf) [kN]	135,000 [601]	80,000 [356]	75,000 [334]	100,000 [445]	-	
Environmental	2"	2-1/2"	2-3/4"	3-1/8"	3-3/8"	
Pressure Rating (psi)[MPa]	4/0°	17,000 [117]	13,000 [90]	20,000 [138]	16,500 [114]	18,000 [124]
	6/60°	13,000 [90]	20,000 [55]	20,000 [138]	20,000 [138]	18,000 [124]
Temperature Rating (°F)[°C]	350 [177]					
Electrical						
Firing Capability	ControlFire®					
Maximum Voltage Rating	Forward - 550V / 15 sec Reverse - 550V / 30 sec					
Maximum Firing Current	Forward (Nominal) - 1A / 12 sec Forward (Maximum) - 1.5A - 5 sec					

E-Gun™ Perforating Gun System



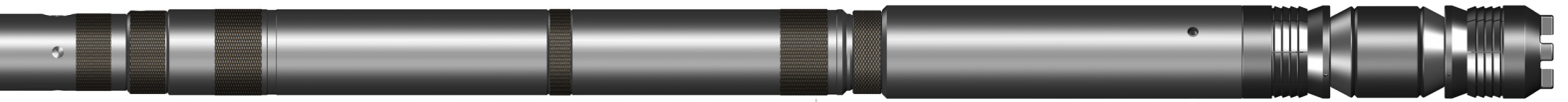
E-Gun Assembly
EGN-312*-SHA-B010-06060

Plug Shoot Assembly
2010-312-200

E-Gun™ Perforating Guns

Shot Density	Shots	Phase	Part Numbers*	Make-up Length (in)[mm]	Shot Length (in)[mm]	Weight Unloaded (lb)[kg]
4 SPF	2	0°	EGN-312-SHA-B002-04000	19.90 [505]	3.00 [76]	23.7 [11]
	4		EGN-312-SHA-B010-04000	25.90 [658]	9.00 [229]	28.7 [13]
	8		EGN-312-SHA-B020-04000	37.90 [963]	21.00 [533]	38.8 [18]
	9		EGN-312-SHA-B021-04000	40.90 [1039]	24.00 [610]	41.3 [19]
	12		EGN-312-SHA-B030-04000	49.90 [1267]	33.00 [838]	48.9 [22]
	16		EGN-312-SHA-B040-04000	61.90 [1572]	45.00 [1143]	58.9 [27]
	20		EGN-312-SHA-B050-04000	73.90 [1887]	57.00 [1148]	69.0 [31]
	24		EGN-312-SHA-B060-04000	85.90 [2182]	69.00 [1753]	79.2 [36]
	40		EGN-312-SHA-B100-04000	133.90 [3401]	117.00 [2972]	119.5 [54]
	60		EGN-312-SHA-B150-04000	193.90 [4925]	177.00 [4496]	169.9 [77]
	80	EGN-312-SHA-B200-04000	253.90 [6449]	237.00 [6020]	220.3 [100]	
6 SPF	2	180°	EGN-312-SHA-B002-06180	17.90 [455]	2.00 [51]	22.5 [10]
	3	120°	EGN-312-SHA-B003-06120	19.90 [505]	4.00 [102]	23.9 [11]
	4	180°	EGN-312-SHA-B004-06180	21.90 [556]	6.00 [152]	25.8 [12]
	6	60°	EGN-312-SHA-B010-06060	25.90 [658]	10.00 [254]	29.1 [13]
		120°	EGN-312-SHA-B010-06120			
	8	90°	EGN-312-SHA-B012-06090	29.9 [759]	14.00 [356]	31.6 [14]
	9	60°	EGN-312-SHA-B013-06060	31.9 [810]	16.00 [406]	34.1 [15]
	12	60°	EGN-312-SHA-B020-06060	37.90 [963]	22.00 [559]	39.2 [18]
		90°	EGN-312-SHA-B020-06090			
		120°	EGN-312-SHA-B020-06120			
	18	60°	EGN-312-SHA-B030-06060	49.90 [1267]	34.00 [864]	49.3 [22]
		90°	EGN-312-SHA-B030-06090			
	24	120°	EGN-312-SHA-B030-06120	61.90 [1572]	34.00 [864]	59.4 [27]
		60°	EGN-312-SHA-B040-06060			
		90°	EGN-312-SHA-B040-06090			
	30	120°	EGN-312-SHA-B040-06120	73.90 [1887]	58.00 [1473]	69.5 [32]
		60°	EGN-312-SHA-B050-06060			
	36	90°	EGN-312-SHA-B050-06090	85.90 [2182]	70.00 [1778]	79.6 [36]
		120°	EGN-312-SHA-B050-06120			
		60°	EGN-312-SHA-B060-06060			
60	90°	EGN-312-SHA-B060-06090	133.90 [3401]	118.00 [2997]	119.9 [54]	
	120°	EGN-312-SHA-B060-06120				
	60°	EGN-312-SHA-B100-06060				
90	90°	EGN-312-SHA-B100-06090	193.90 [4925]	178.00 [4521]	170.4 [77]	
	120°	EGN-312-SHA-B100-06120				
	60°	EGN-312-SHA-B150-06060				
120	90°	EGN-312-SHA-B150-06090	253.90 [6449]	238.00 [6045]	220.8 [100]	
	120°	EGN-312-SHA-B150-06120				
	60°	EGN-312-SHA-B200-06060				
	90°	EGN-312-SHA-B200-06090	253.90 [6449]	238.00 [6045]	220.8 [100]	
	120°	EGN-312-SHA-B200-06120				

* "312" refers to Outside Diameter. 312 (3-1/8" O.D.) can be replaced with 200 for 2" O.D., 275 for 2-3/4" O.D., 250 for 2-1/2" O.D., or 337 for 3-3/8" O.D. part numbers.



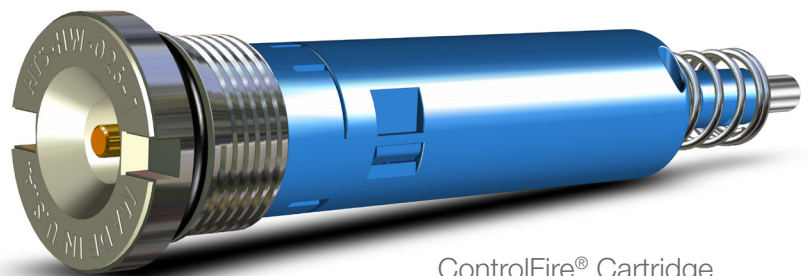
T-Set One® Setting Tool
TSET-ONE-000

Hardware

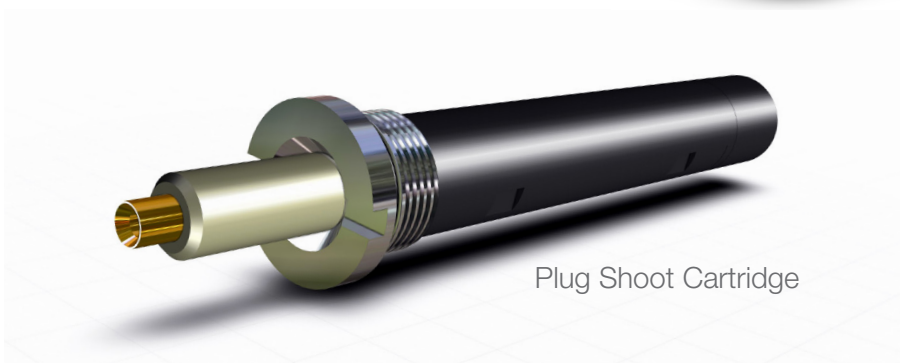
Description	Outside Diameter (O.D.) Part Number			
	2-1/2"	2-3/4"	3-1/8"	3-3/8"
CCL Bottom Sub	0265-000-116	0268-000-014	0257-200-014	0257-200-014
Quick Change Assembly	-	3271-275-030	3271-312-030	3271-337-030
Top Sub Assembly	-	0362-000-190	0363-000-190	0365-000-190
Top Sub, 1-5/8" 6 Acme	0228-000-441A	0362-000-341A	0363-000-341A	0365-000-341A
Top Sub, 1-5/8" 6 Acme w/ Lock Collar	-	0362-000-441A	0363-000-441A	0365-000-441A
Plug Shoot Assembly #10	EGN-250-PSC-200	2010-275-200	2010-312-200	-
Plug Shoot Assembly #20	-	N/A	2020-312-200	2020-337-200
T-Set Setting Tool	WST-2500-001	TSET-ONE-000	TSET-ONE-000	TSET-ONE-000

Expendable Items

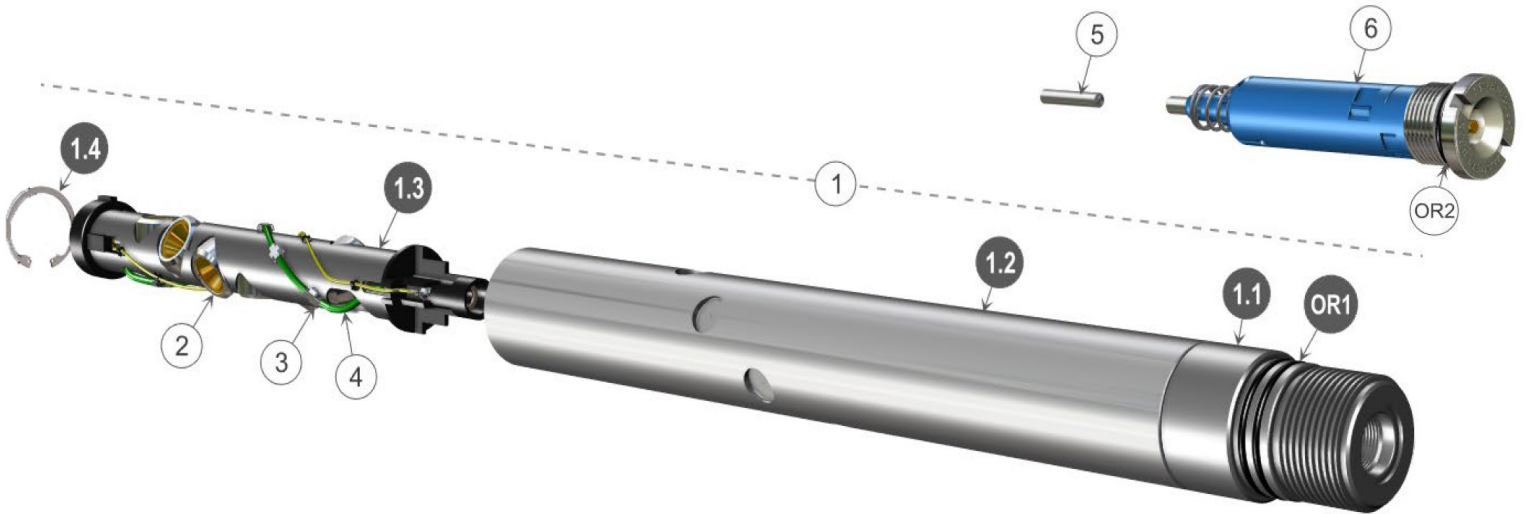
Description	Part Number
ControlFire® Initiation Cartridge	DETO-SBC-A140F-T V1.8
Plug Shoot Assembly Cartridge	HTS-PSC-000
Bi-Directional Booster; HMX	BOOSTER-HMX-600-T
Detonating Cord 80 grain (RDX LS)	CORD-80RDX-LS-DT
Detonating Cord 80 grain (RDX LS XHV)	CORD-80RDX-LS-XHV-DT



ControlFire® Cartridge



Plug Shoot Cartridge



Assembly Components

ID	Part Numbers		Description	Qty
1	EGN-275-SHA-A010-06060	2-3/4"	E-GUN ASSEMBLY 6/60°	1
	EGN-312-SHA-B010-06060	3-1/8"		
1.1		TANDEM		
1.2		CARRIER		
1.3		CHARGE TUBE ASSEMBLY		
1.4	0462-200-037	2-3/4"	SNAP RING	REF
	0402-200-037	3-1/8"		
	0403-200-037	3-3/8"		
2		See Hunting Shaped Charge Summary		6
3	24-1501-04		CHARGE CLIP	REF
4	CORD-80RDX-LS-DT		Detonating Cord 80 grain (RDX LS)	1
	CORD-80RDX-LS-XHV-DT		Detonating Cord 80 grain (RDX LS XHV)	1
5	BOOSTER-HMX-600-T		BOOSTER; HMX BI-DIRECTIONAL	1
6	DETO-SBC-A140F-T V1.8		INITIATION CARTRIDGE ASSEMBLY	1
OR1	0111-225-090*	2-1/2"	O-RING	2
	0111-227-090*	2-3/4"		
	0111-230-090*	3-1/8"		
	0111-232-090*	3-3/8"		
OR2	0111-121-090*		O-RING	REF

*Viton O-Rings required in applications above 325°F.

Proprietary Technology

Hunting develops innovative technology that improves the way oil and gas are extracted, with a full range of applications below the wellhead including mud motors, premium connections, well perforating, logging and intervention tools.

Geographic Footprint

Manufacturing and distribution locations are strategically located in the key energy producing regions of the world.



Further Information

Web

www.hunting-intl.com

Email

sales.titan@hunting-intl.com

support.titan@hunting-intl.com

Global Headquarters

Hunting Energy Services Inc.

16825 Northchase Drive, Suite 600

Houston, Texas 77060-3236

USA

T. +1 281 442 7382



'Excellence in **Energy Services** for over 100 years'

© Hunting