

Toro® / Astec® Road Maps

Case® Road Maps

American Augers® Road Maps

Drill Rod

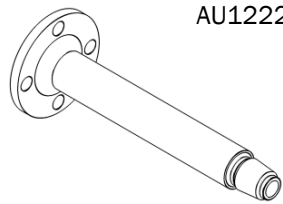
Drive Chucks

Saver Subs

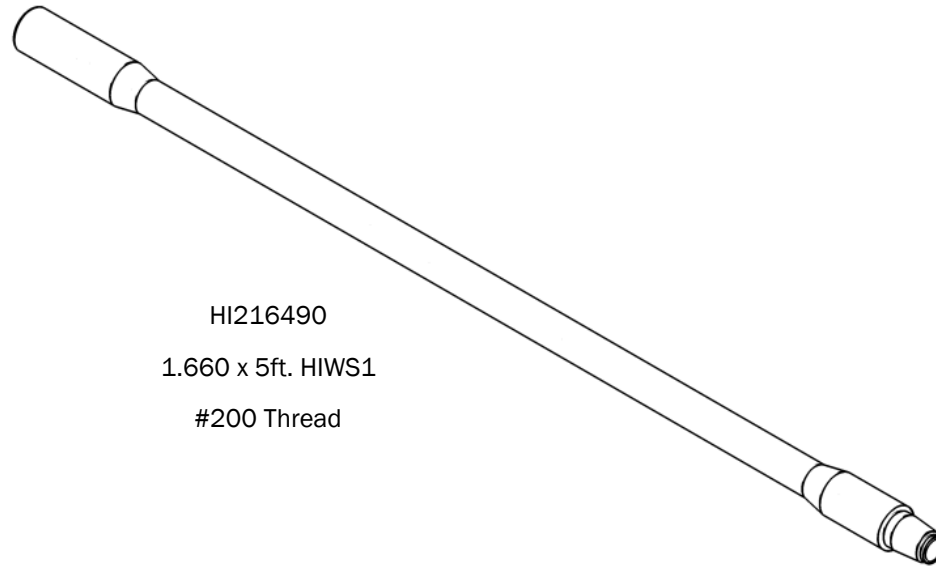
Starter Rods



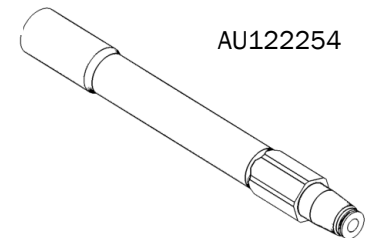
DD65



AU122253

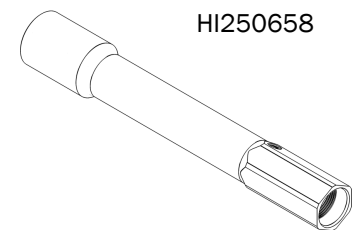
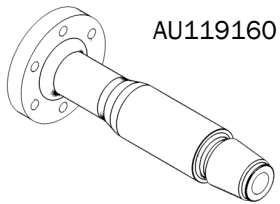


HI216490
1.660 x 5ft. HIWS1
#200 Thread



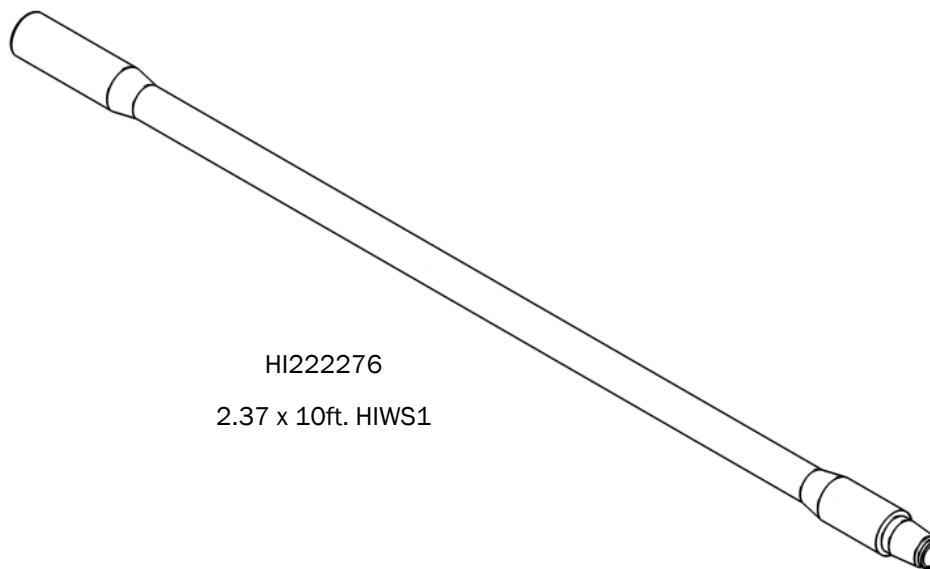
AU122254

DD2024



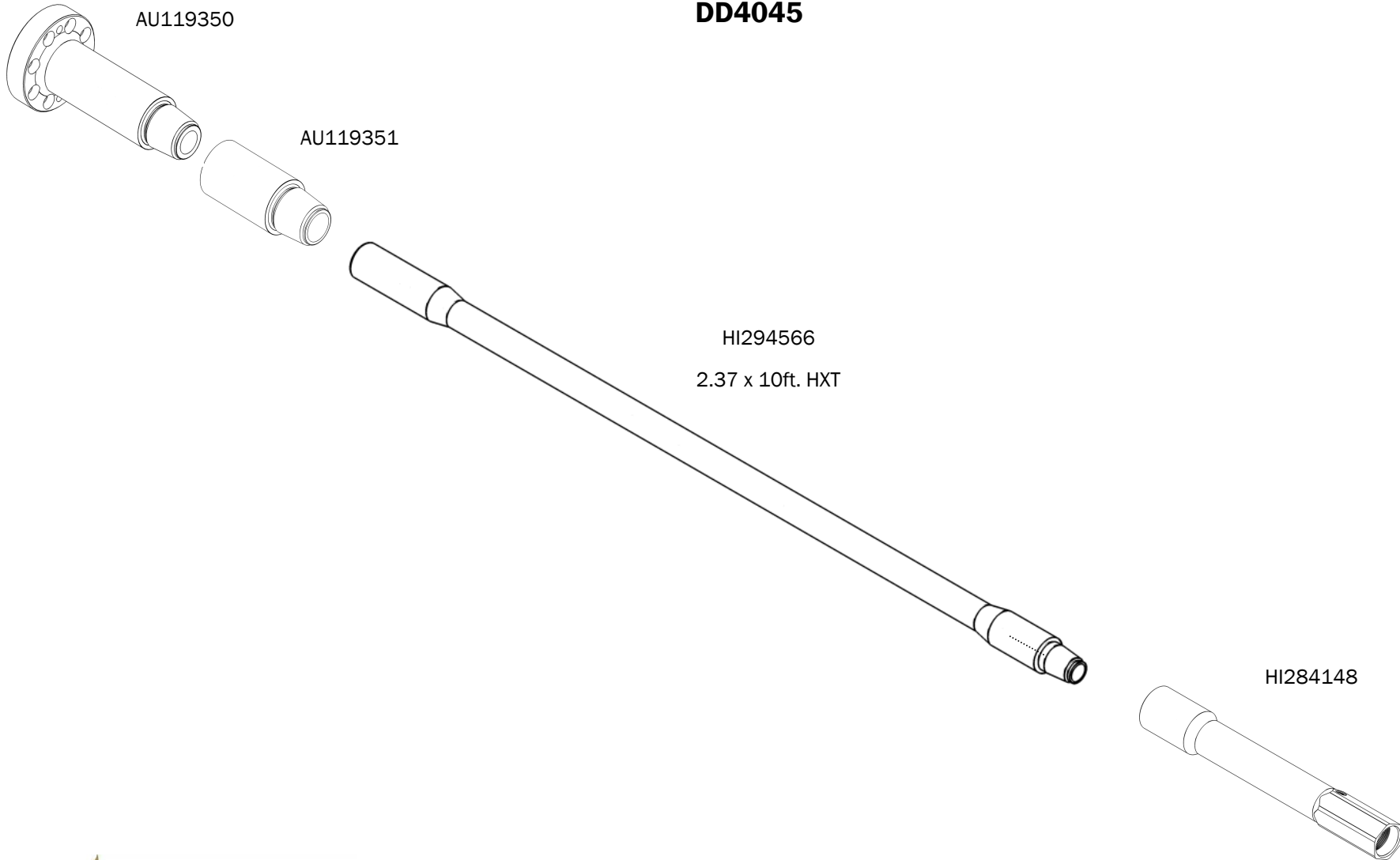
(*) indicates non-stock item

DD3238



HI222276
2.37 x 10ft. HIWS1

DD4045



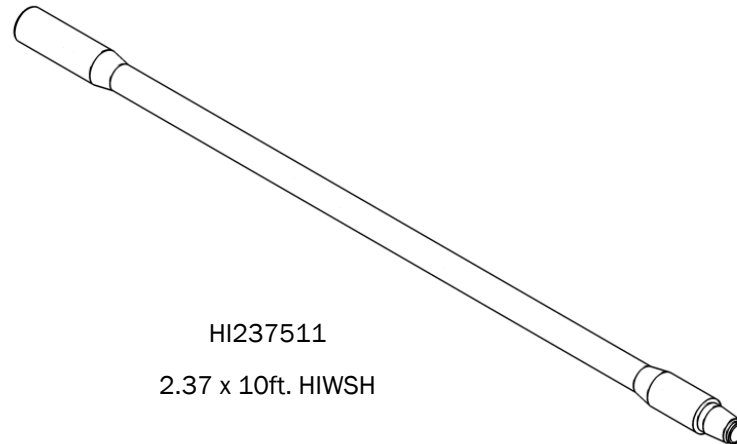
(* indicates non-stock item

6010



HI206310
2.06 x 10ft. HIWSH

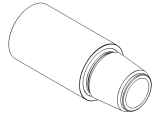
6030



HI237511
2.37 x 10ft. HIWSH

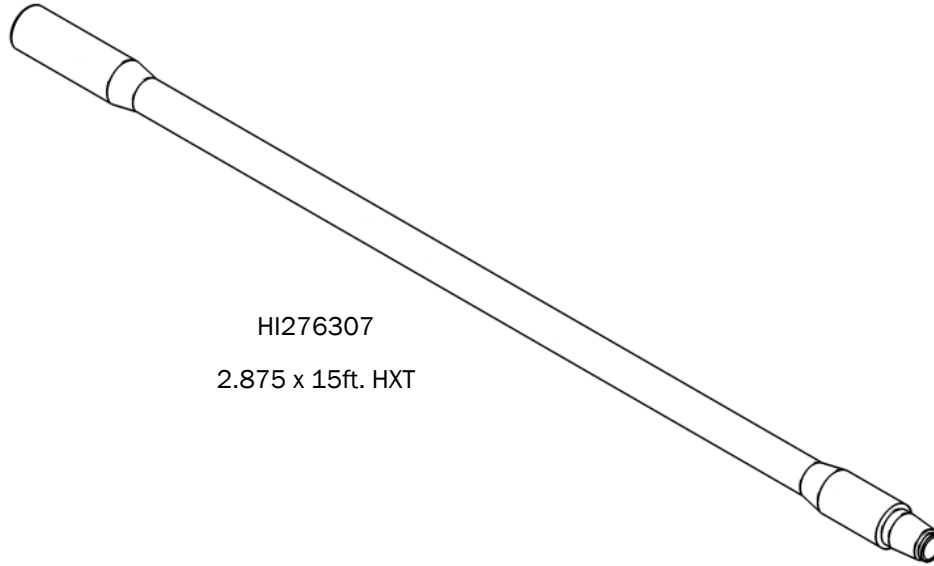
(* indicates non-stock item)

American Augers®



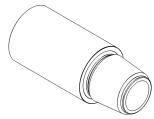
AA003

2.875 IF BOX x #902 PIN



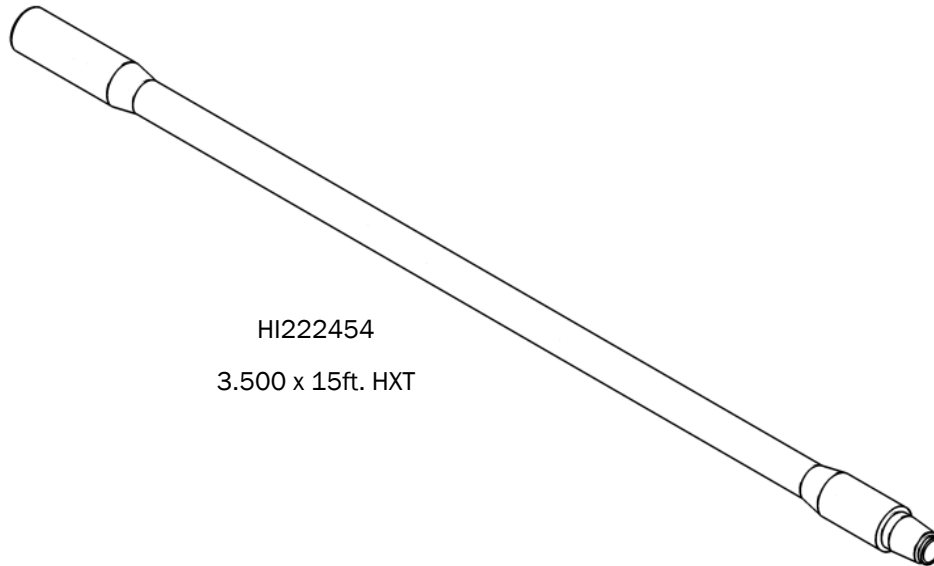
HI276307

2.875 x 15ft. HXT



AA002

2.875 IF BOX x #800 PIN

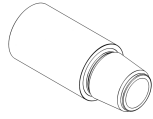


HI222454

3.500 x 15ft. HXT

(* indicates non-stock item)





AA001

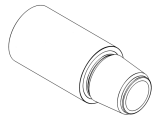
2.875 IF BOX x #802 PIN

DD110



HI276376

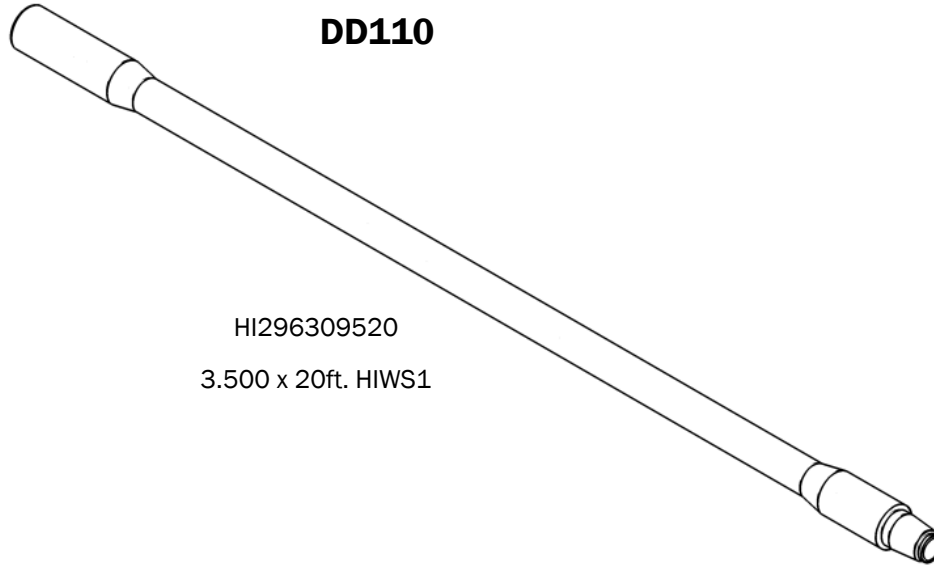
3.500 x 20ft. HXT



AA004

2.875 IF BOX x #1000 PIN

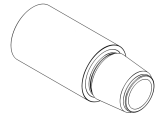
DD110



HI296309520

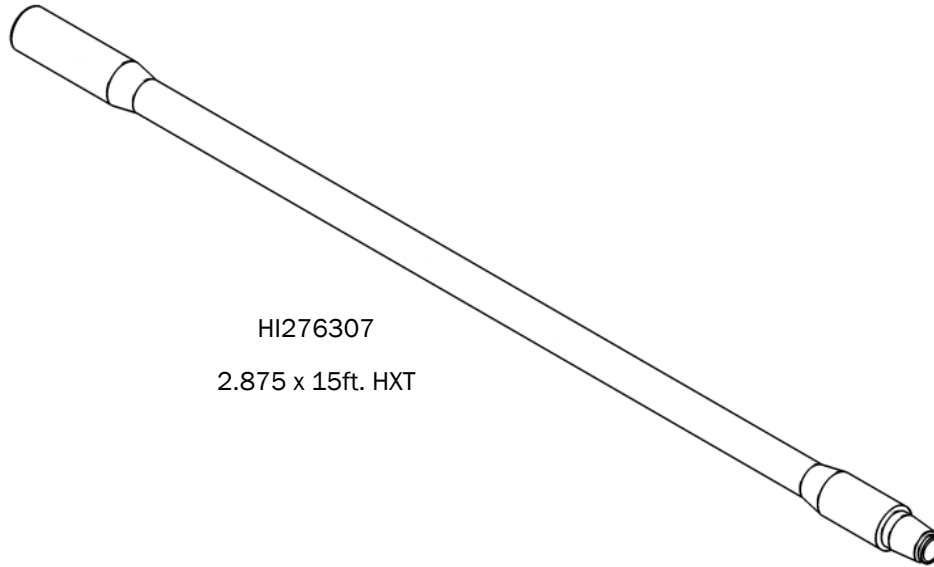
3.500 x 20ft. HIWS1

(* indicates non-stock item



AA003

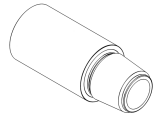
2.875 IF BOX x #902 PIN



HI276307

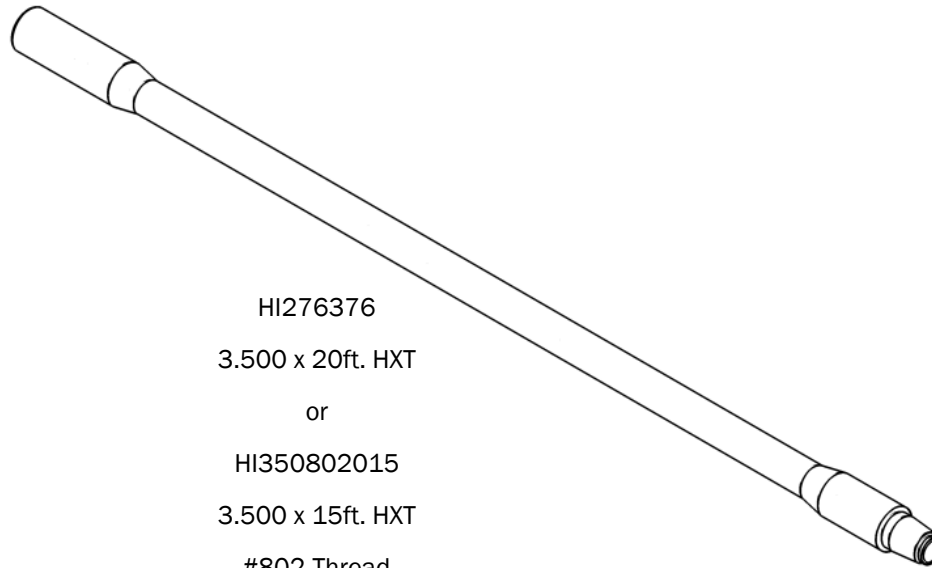
2.875 x 15ft. HXT

American Augers®



AA001

2.875 IF BOX x #802 PIN



HI276376

3.500 x 20ft. HXT

or

HI350802015

3.500 x 15ft. HXT

#802 Thread



(*) indicates non-stock item