

Ditch Witch® Direct Replacement Road Maps

OPF Drill Rod

Advantage Drill Rod

Drive Chucks

SaverLoc / Saver Subs

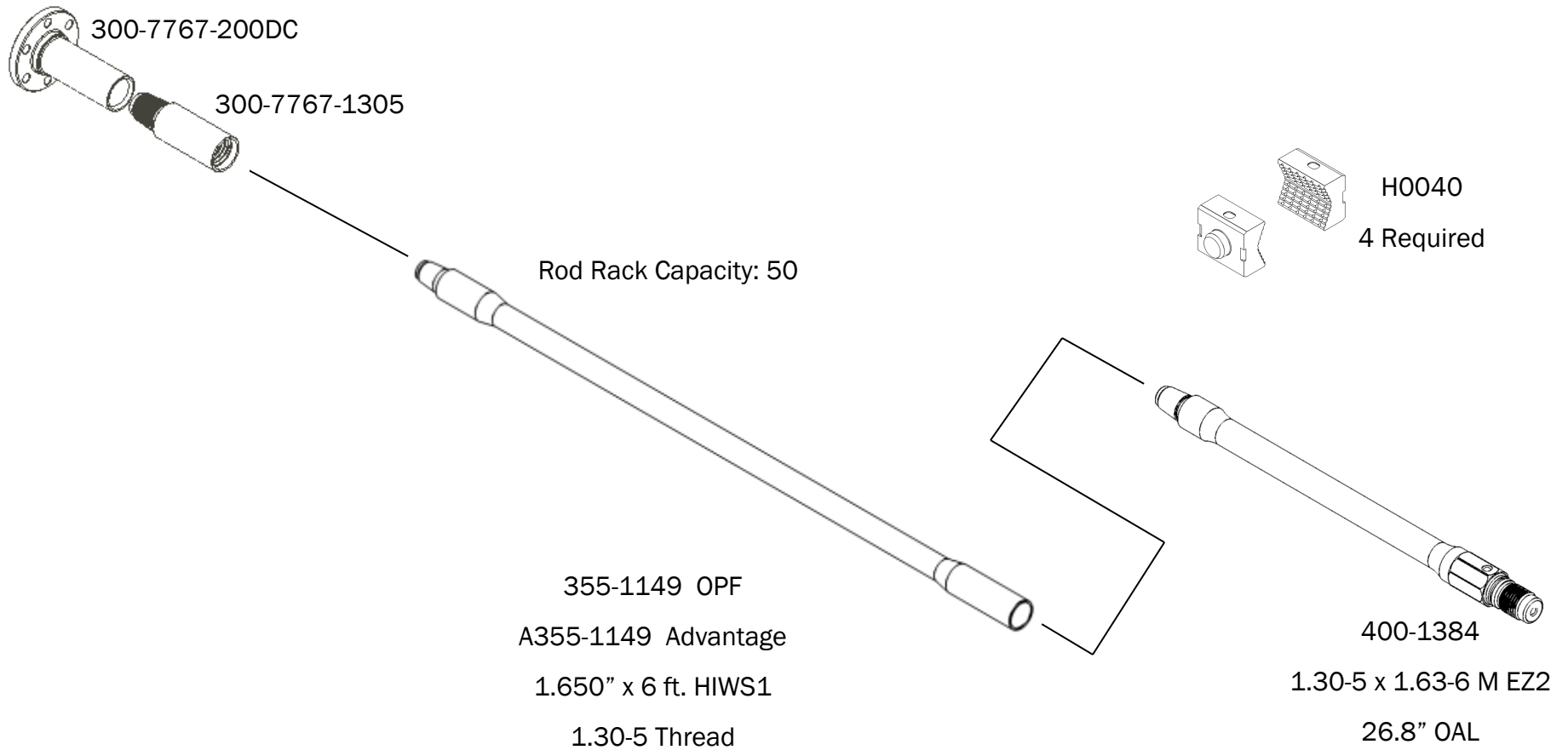
Transition Rods / Starter Rods



Ditch Witch® JT9 / JT10 / JT922

1.30-5

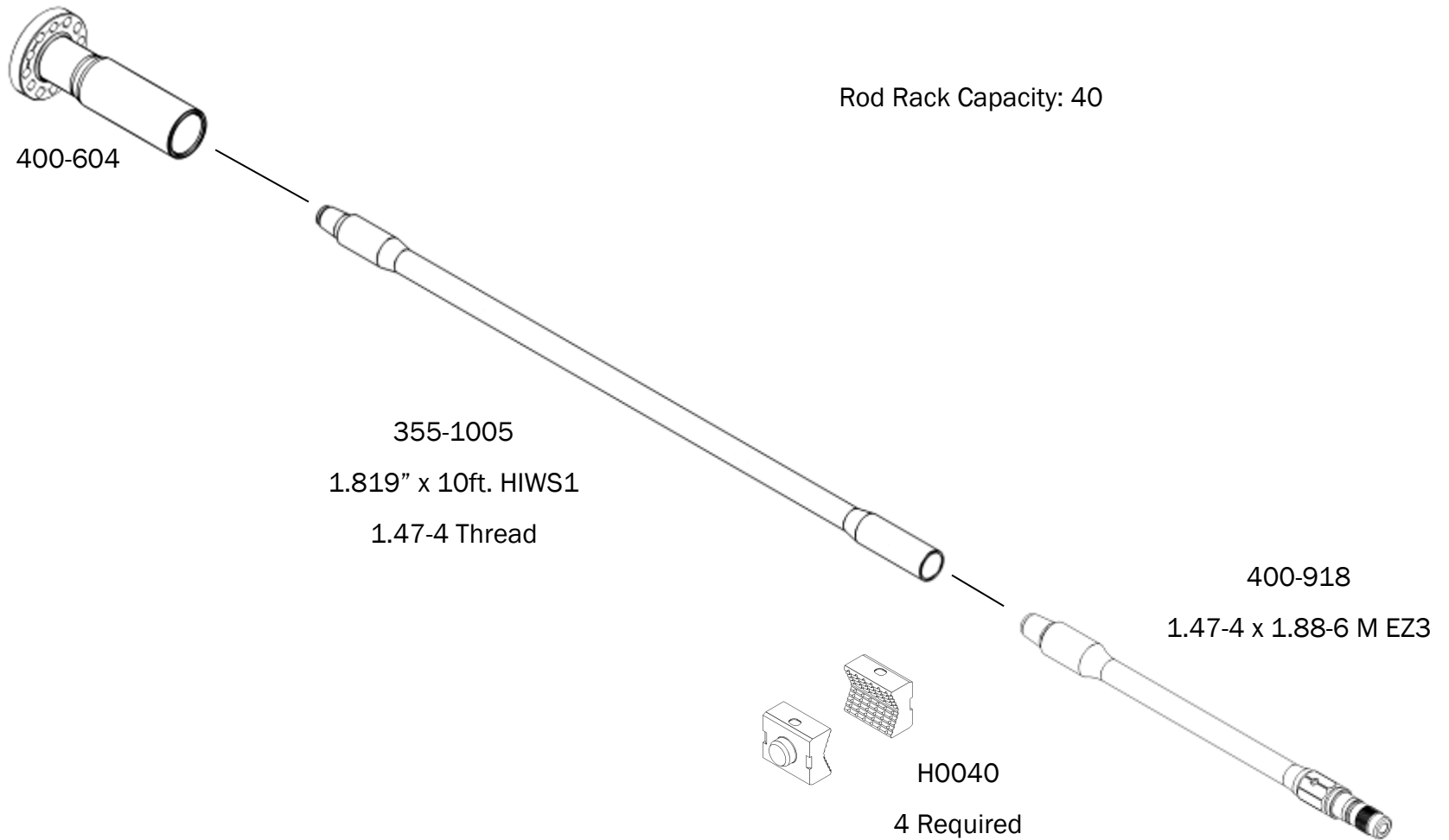
Component Road Map



Ditch Witch® JT1220

1.47-4

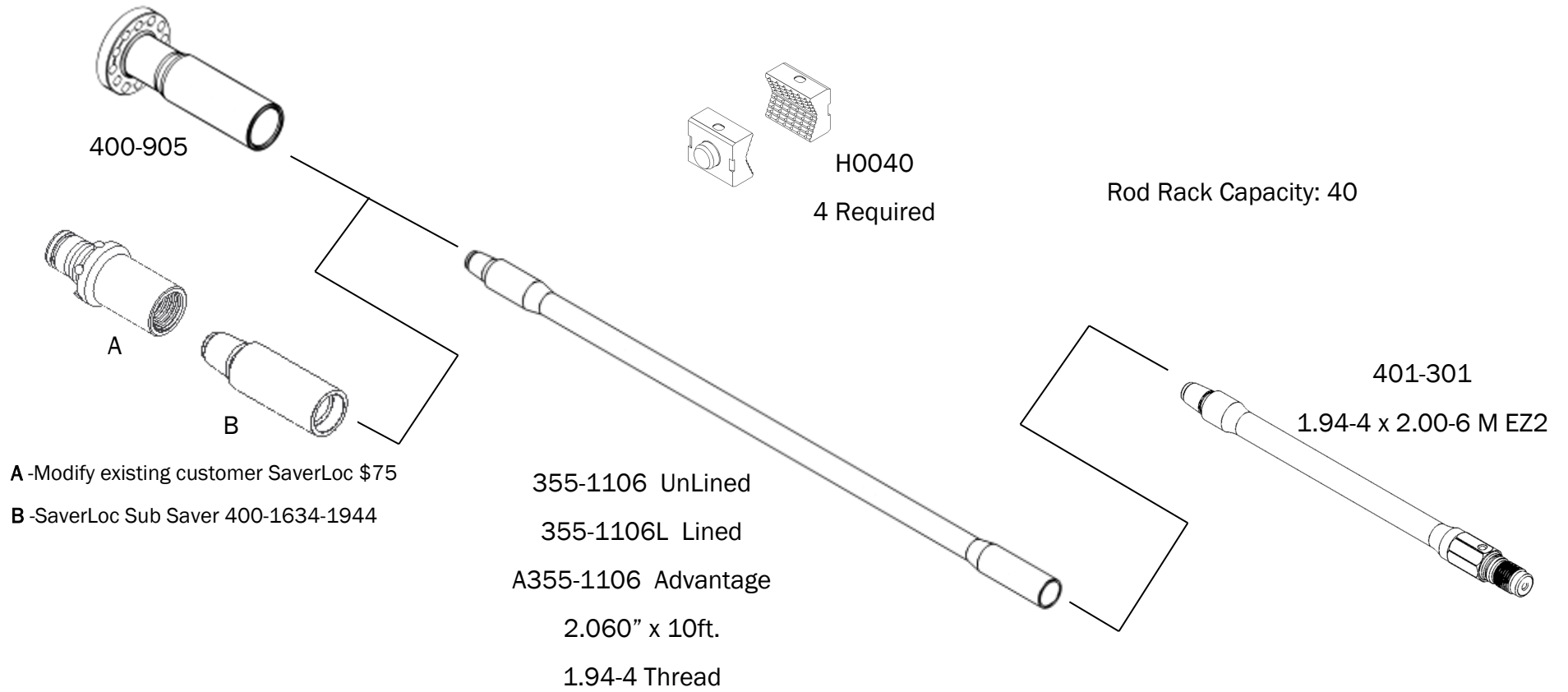
Component Road Map



Ditch Witch® JT2020 JT20

1.94-4

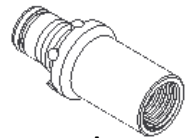
Component Road Map



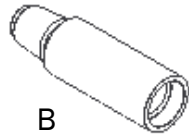
Ditch Witch® JT24

1.76-4

Component Road Map



A

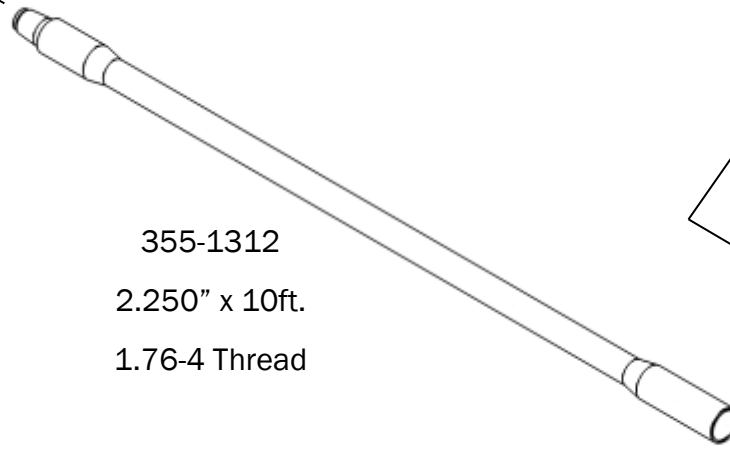


B

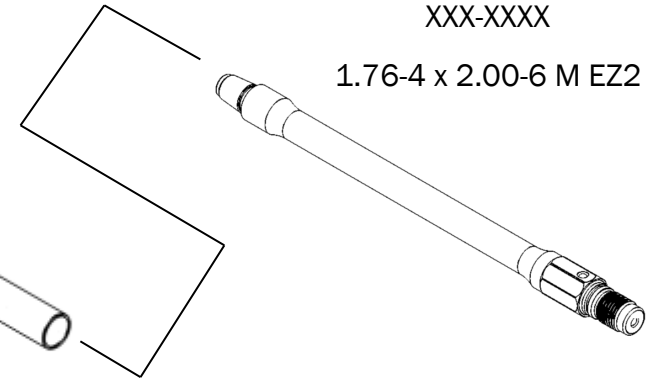
Rod Rack Capacity: 40

A -Modify existing customer SaverLoc \$75

B -SaverLoc Sub Saver 400-3054-1764



355-1312
2.250" x 10ft.
1.76-4 Thread



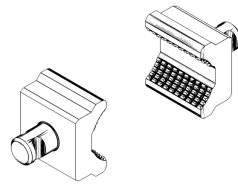
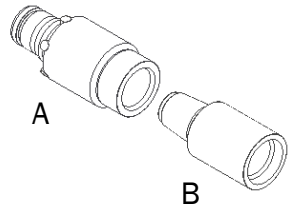
XXX-XXXX
1.76-4 x 2.00-6 M EZ2



Ditch Witch® JT25 / JT30

2.11-4

Component Road Map



H0043

4 Required

Rod Rack Capacity: 24/48

A -Modify existing customer SaverLoc \$75

B -SaverLoc Sub Saver 400-2037-2114

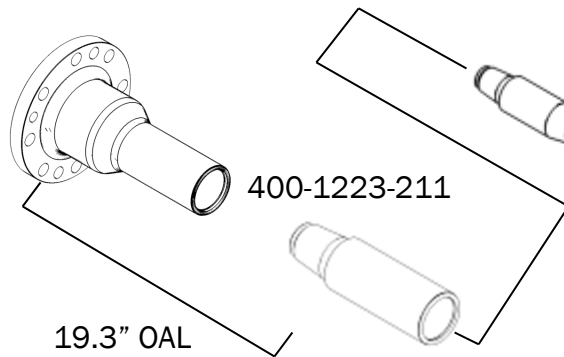
355-1244 UnLined
355-1244L Lined
A355-1244 Advantage
2.375" x 10ft. 2.11-4
JT30 Thread

400-1030
2.11-4 x 2.25-6 EZ3
42" OAL



400-1224-602DC (5.75" Dia. Flange)

400-1229-602DC (7.50" Dia. Flange)

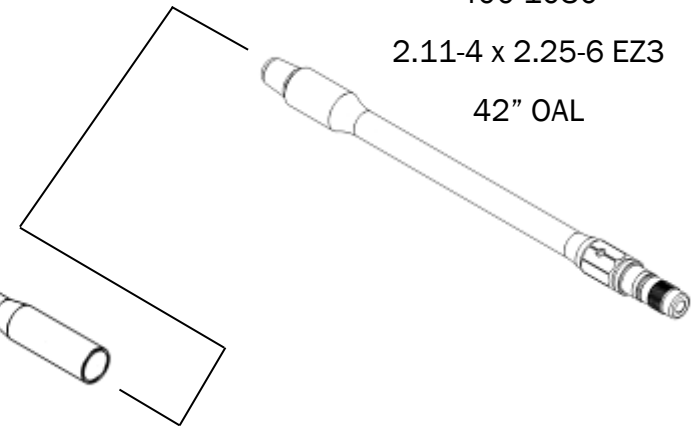


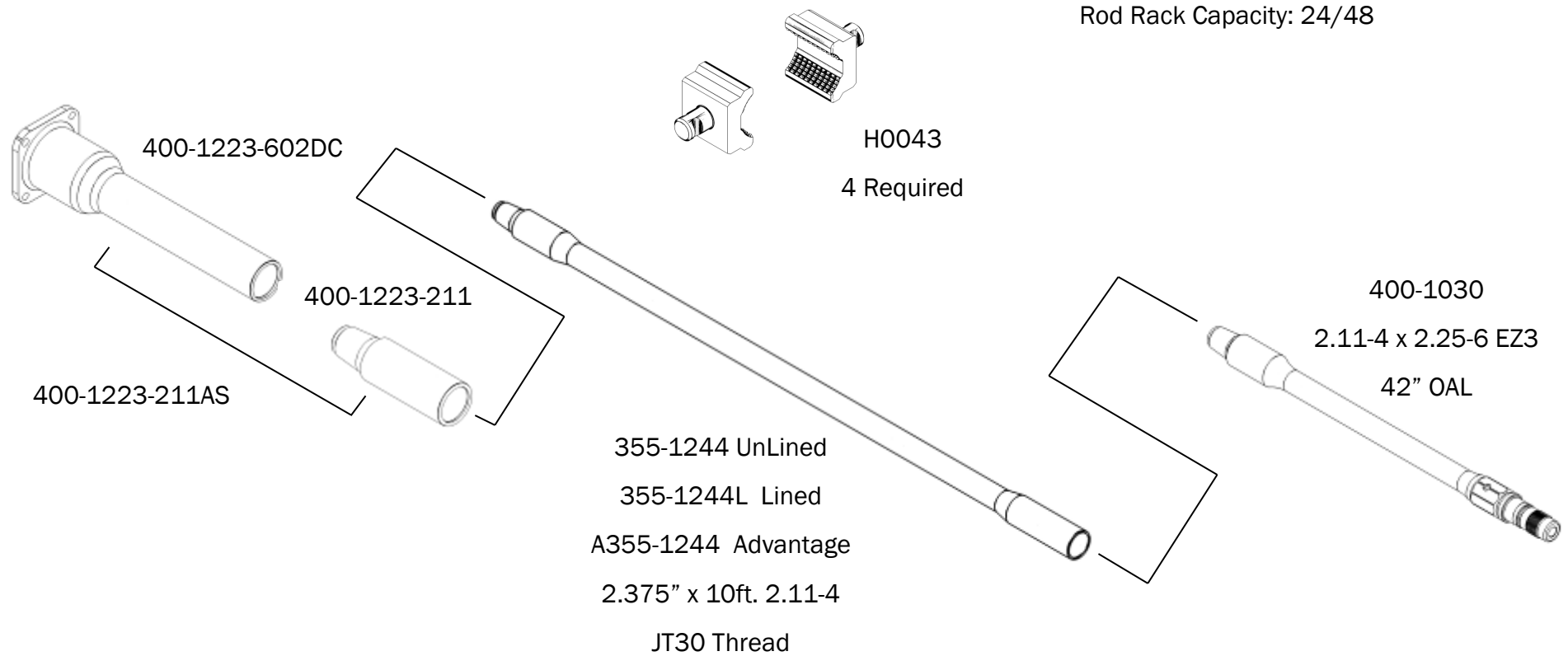
400-1224-211AS (S/N 2W0001-2W9999)

400-1229-211AS (S/N 2X0001-2X9999)

355-1244 UnLined
355-1244L Lined
A355-1244 Advantage
2.375" x 10ft. 2.11-4
JT2720M1 / JT30 Thread

Rod Rack Capacity: 25/50

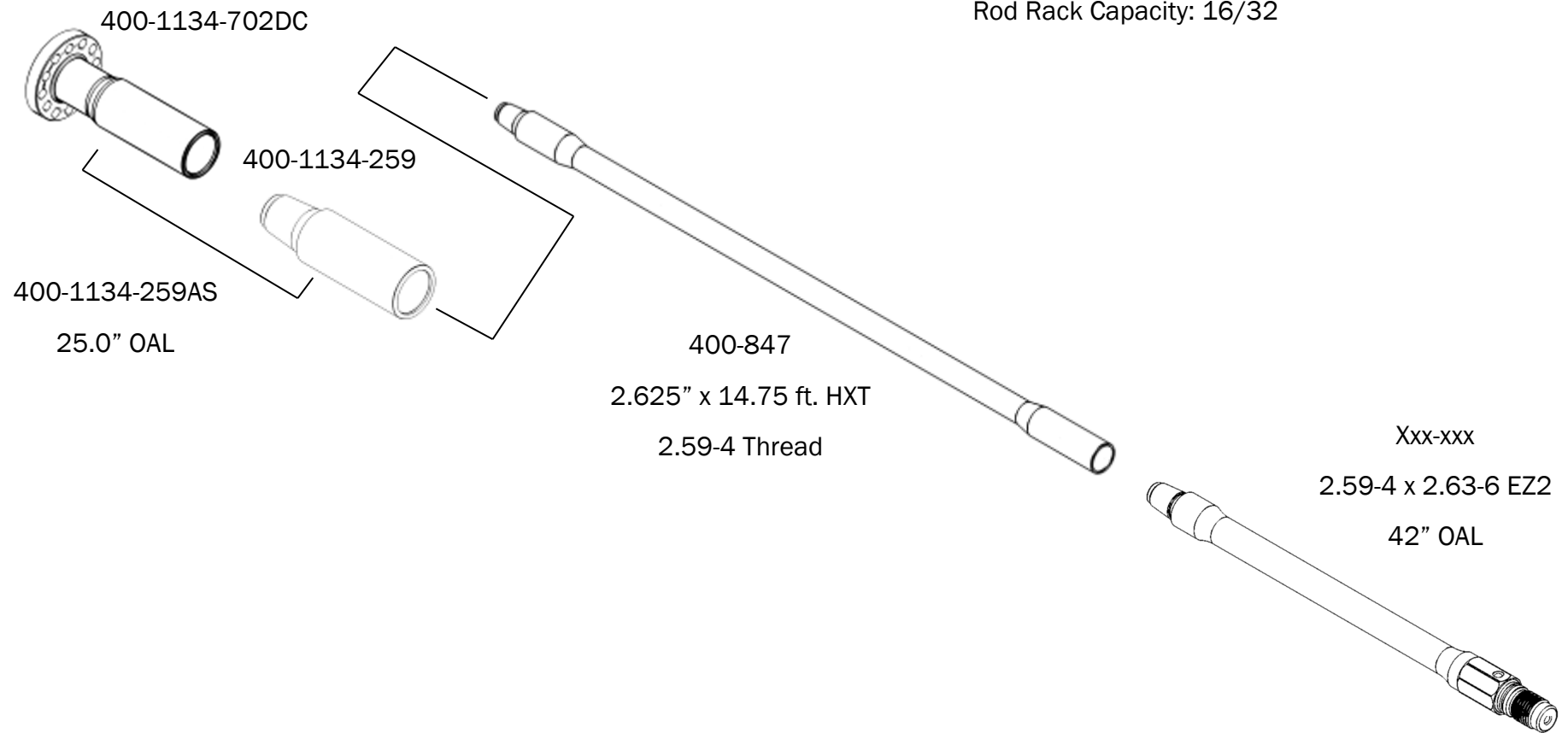


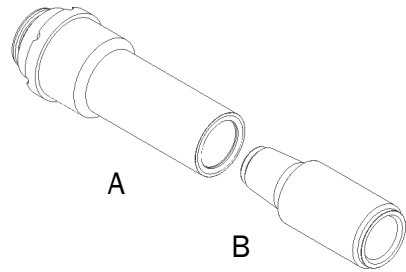


Ditch Witch® JT4020M1

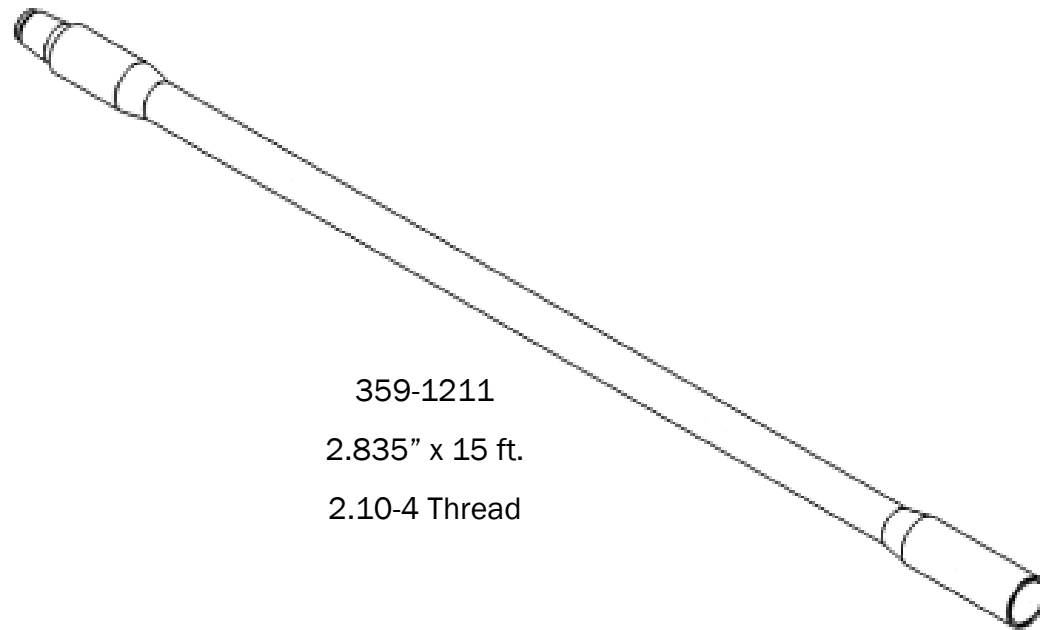
2.59-4

Component Road Map



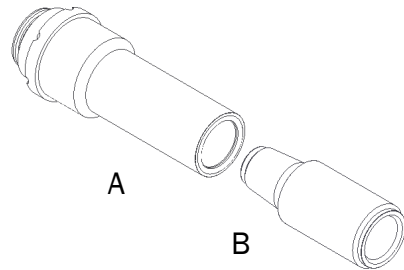


- A -Modify existing customer SaverLoc \$125
- B -SaverLoc Sub Saver 400-2377-2104

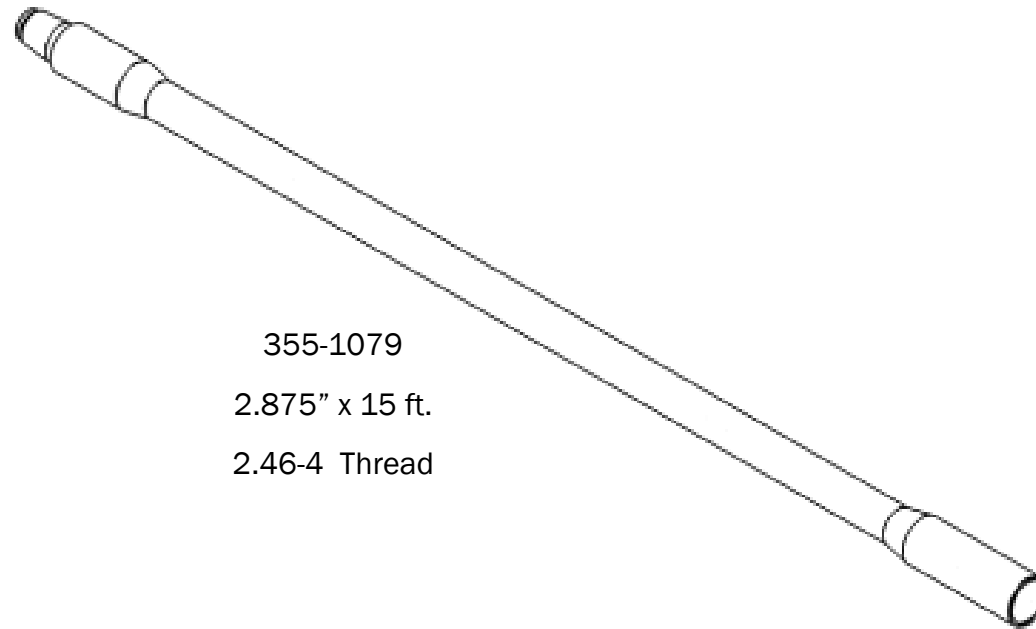


359-1211
2.835" x 15 ft.
2.10-4 Thread

Rod Rack Capacity: 16/28



- A -Modify existing customer SaverLoc \$125
- B -SaverLoc Sub Saver 400-2150-2464



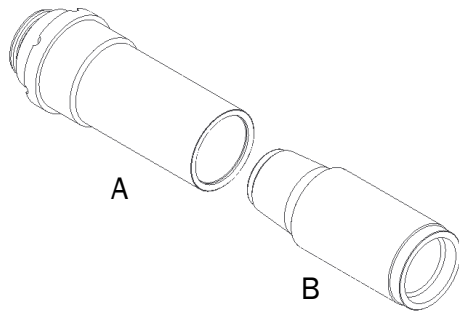
355-1079
2.875" x 15 ft.
2.46-4 Thread

400-1132-802DC (13" OAL)*

400-1132-3274
14.9" OAL

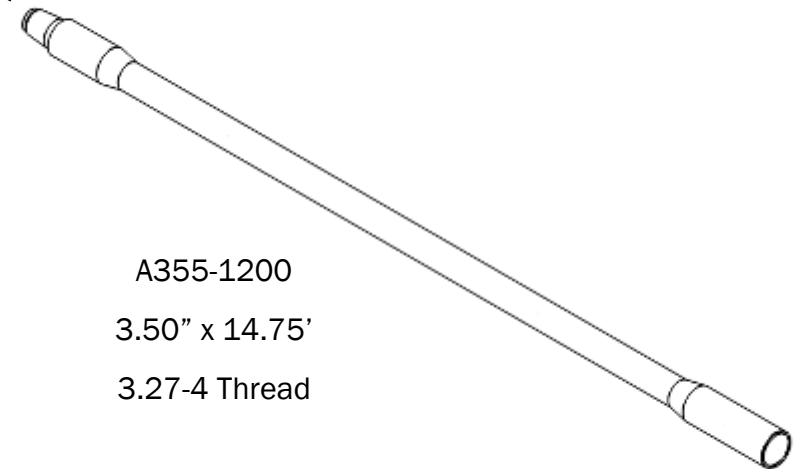
400-1132-3274AS (24.3" OAL)*

400-2115-3274AS (25.3" OAL)**



A -Modify existing customer SaverLoc \$125

B -SaverLoc Sub Saver 400-2150-2464



A355-1200
3.50" x 14.75'
3.27-4 Thread

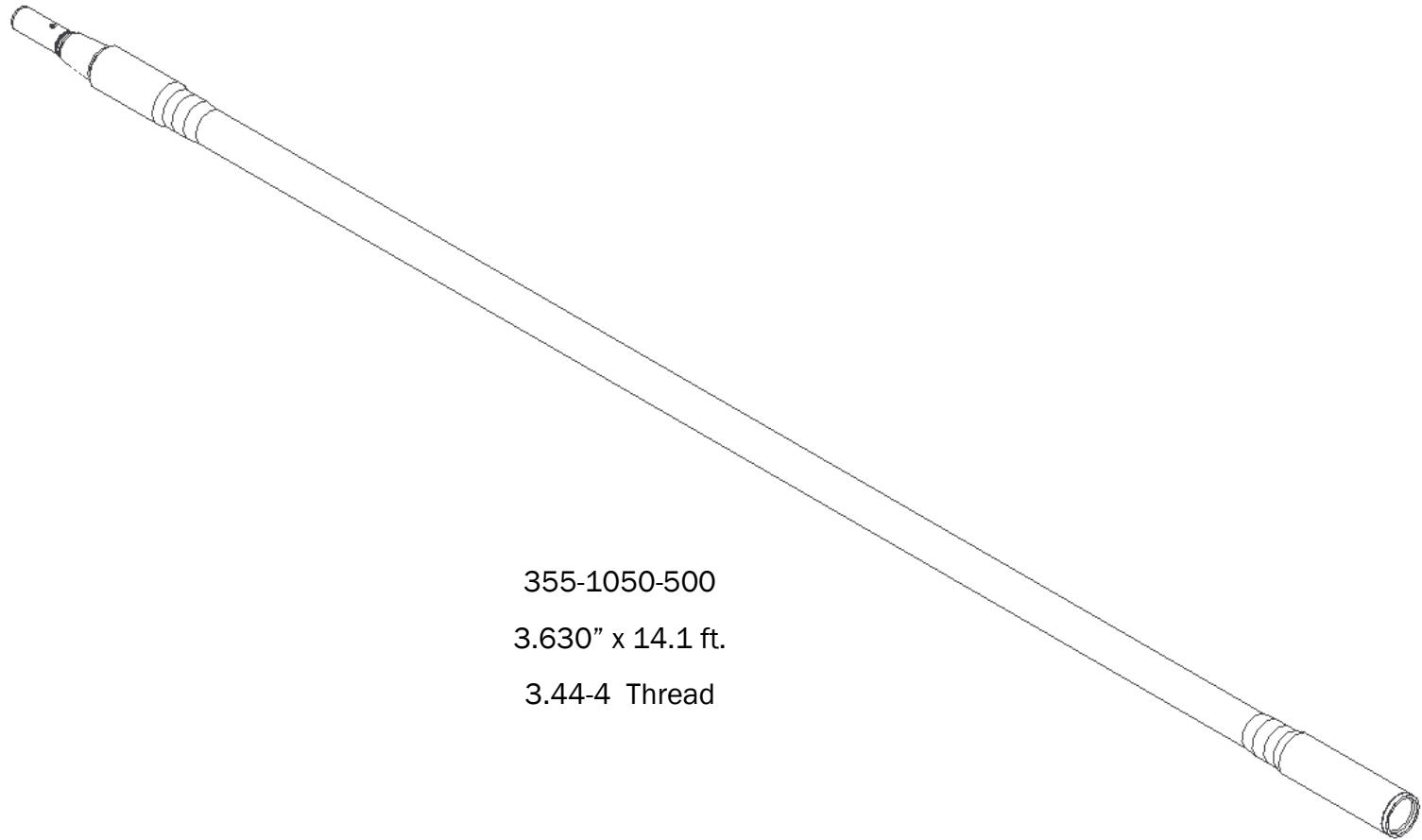
NOTE:

* DRIVE CHUCK FOR USE WITH MODELS PRODUCED BEFORE SN CMWJT100PD0000130

** DRIVE CHUCK FOR USE WITH MODELS PRODUCED AFTER SN CMWJT100PD0000131 (Wireline feature not included)

(*) indicates non stocking item





355-1050-500
3.630" x 14.1 ft.
3.44-4 Thread