

Vermeer® Road Maps

Drill Rod

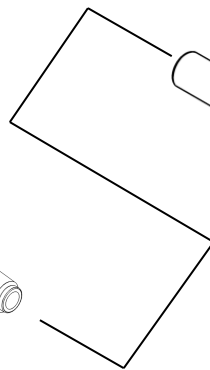
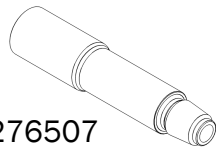
Drive Chucks

Saver Subs

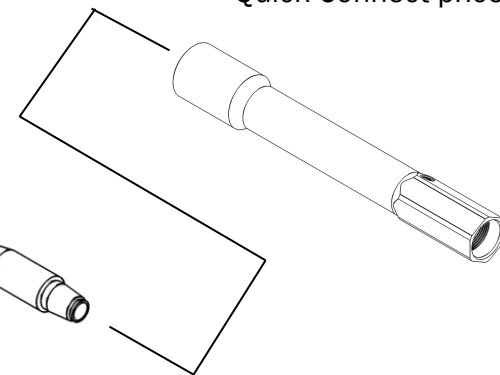


FOR USE WITH
INTEGRAL DRIVE
CHUCK

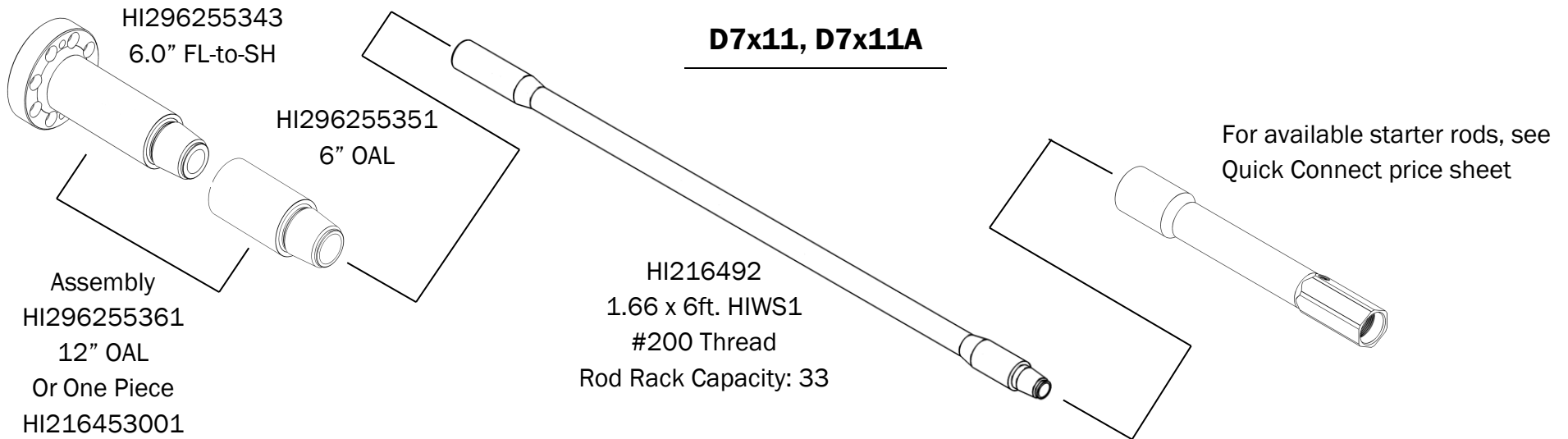
HI296276507
10" OAL



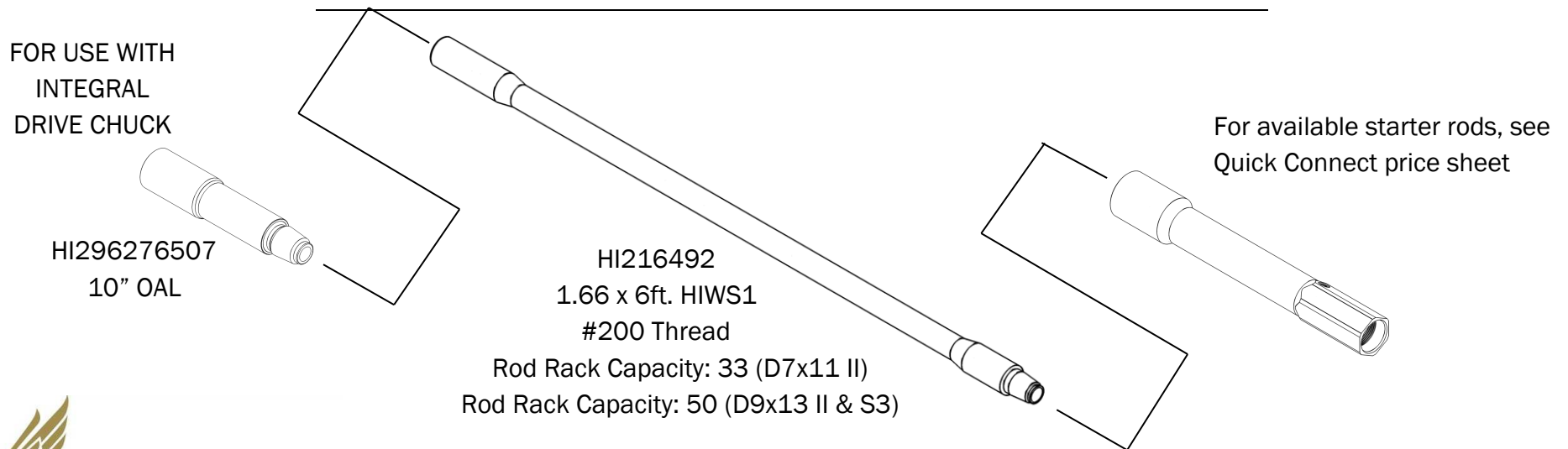
HI222394
1.315 x 6ft. HIWS1
#200 Thread
Rod Rack Capacity: 25



For available starter rods, see
Quick Connect price sheets.



D7x11 Series II, D8x12, D9x13 Series II, D9x13 S3, D10x15 S3

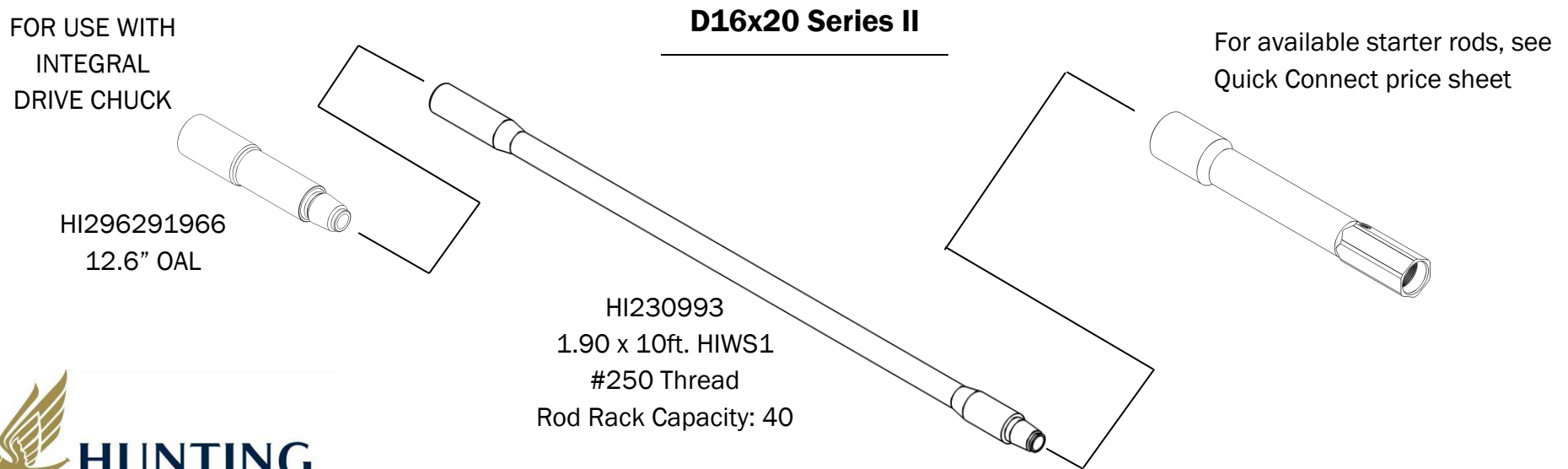
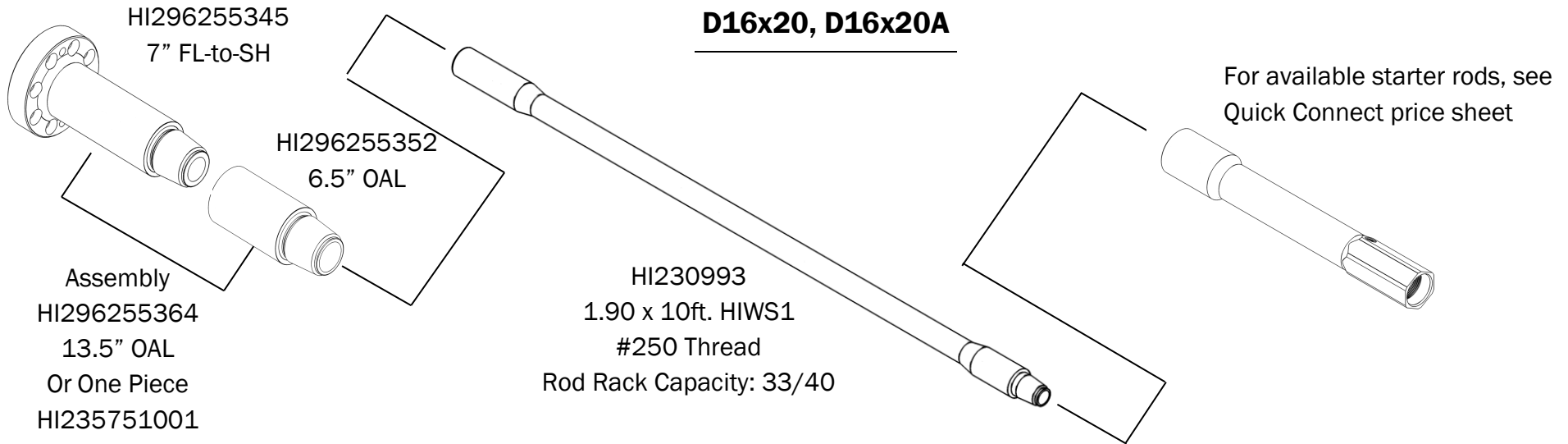


(* indicates non-stock item)

Vermeer®

D16x20, D16x20A, D16x20 Series II

Component Road Map



FOR USE WITH
INTEGRAL
DRIVE CHUCK

HI296281195
12.6" OAL

D20x22 Series II, D20x22 S3*

* D20x22 S3 offered with 2 different pipe sizes

HI221628
2.06 x 10ft. HIWS1
#400 Thread
Rod Rack Capacity: 35

For available starter rods, see
Quick Connect price sheet

FOR USE WITH
INTEGRAL
DRIVE CHUCK

HI296291966
12.6" OAL

D20x22 S3*

* D20x22 S3 offered with 2 different pipe sizes

HI230993
1.90 x 10ft. HIWS1
#250 Thread
Rod Rack Capacity: 40

For available starter rods, see
Quick Connect price sheet

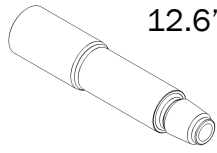
Vermeer®

D23x30 S3

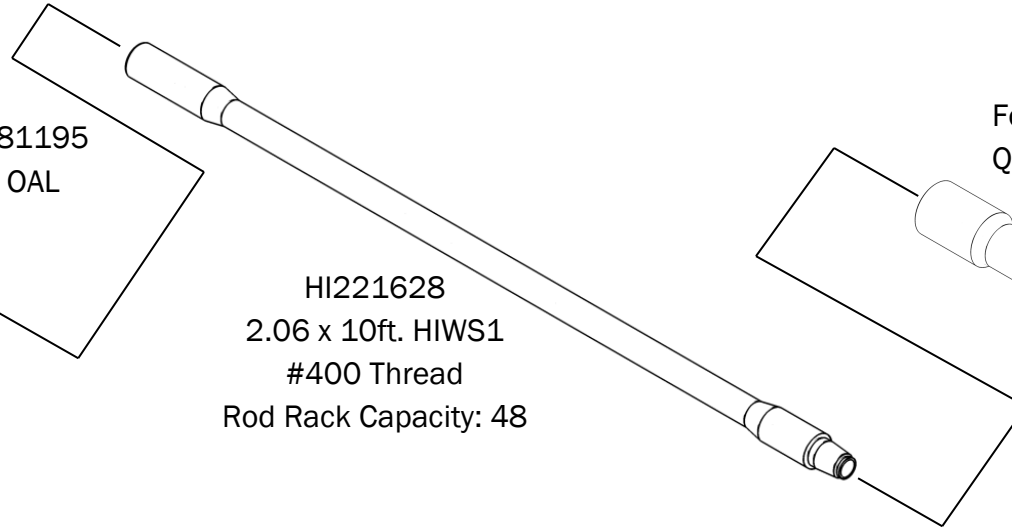
Component Road Map

FOR USE WITH
INTEGRAL DRIVE
CHUCK

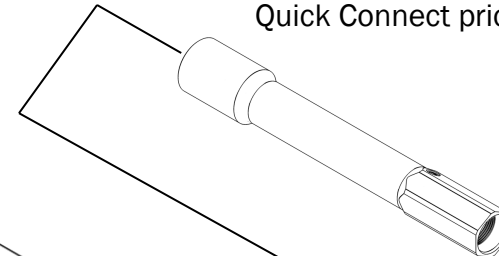
HI296281195
12.6" OAL



HI221628
2.06 x 10ft. HIWS1
#400 Thread
Rod Rack Capacity: 48

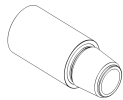


For available starter rods, see
Quick Connect price sheet

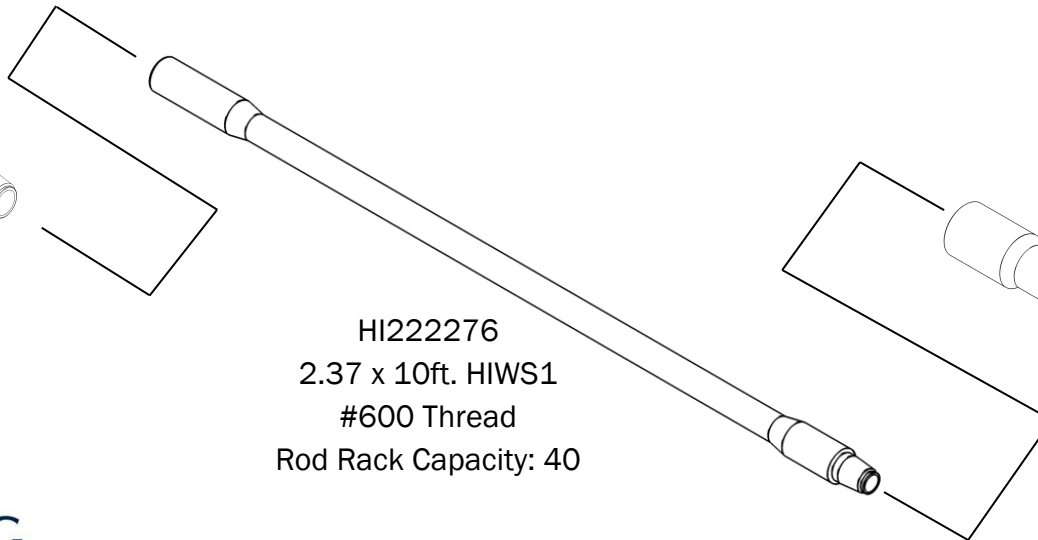


FOR USE WITH
INTEGRAL DRIVE
CHUCK

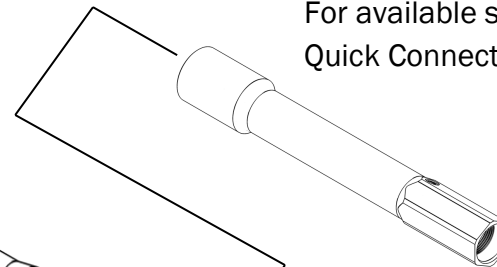
HI296409414
12.6" OAL



HI222276
2.37 x 10ft. HIWS1
#600 Thread
Rod Rack Capacity: 40



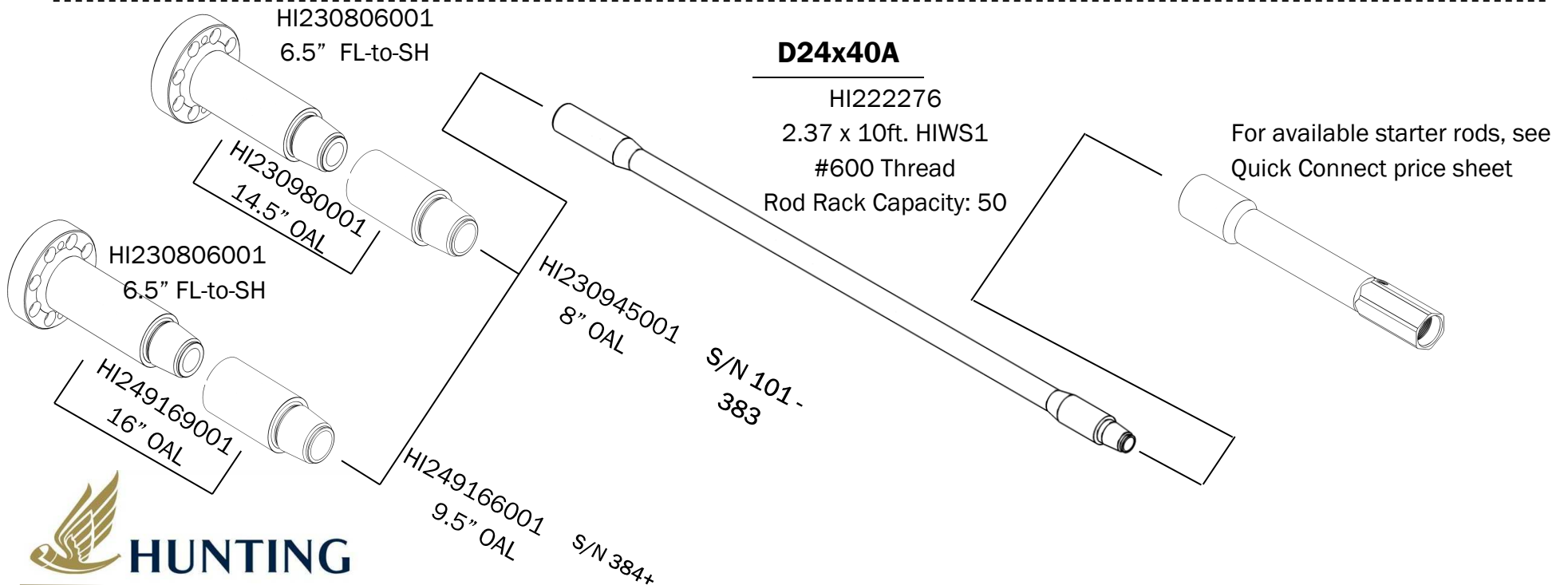
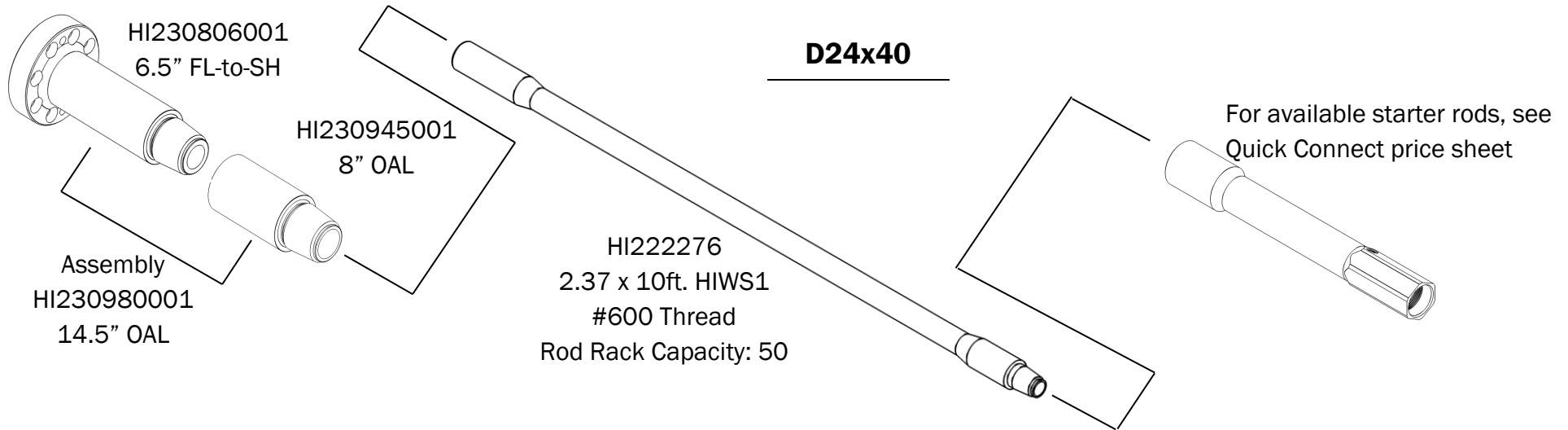
For available starter rods, see
Quick Connect price sheet



Vermeer®

D24x40, D24x40A

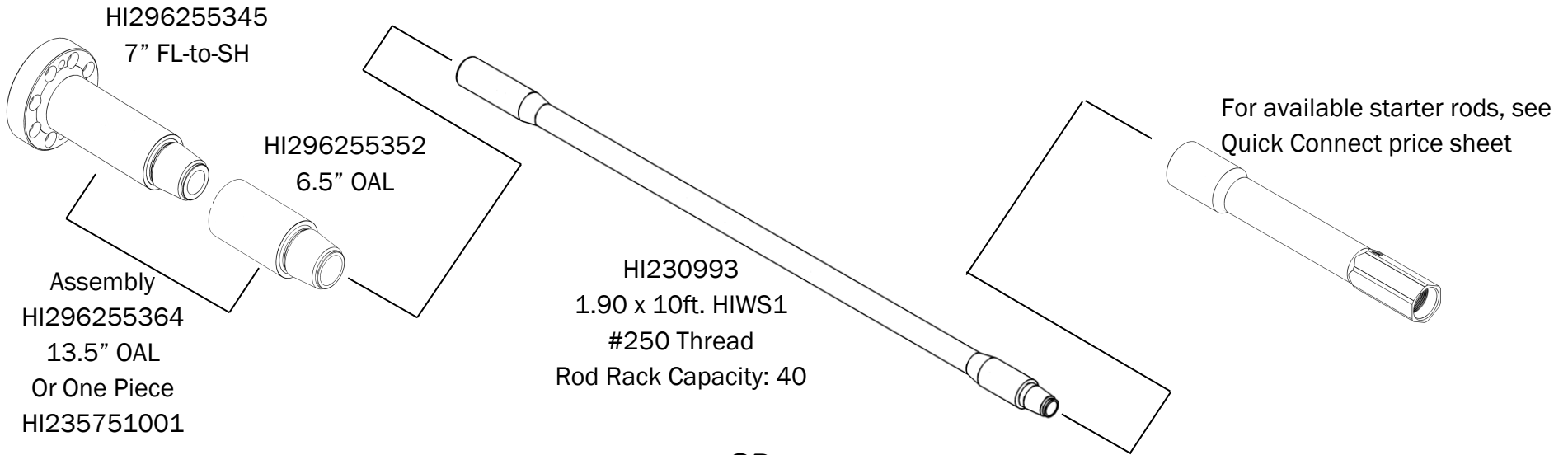
Component Road Map



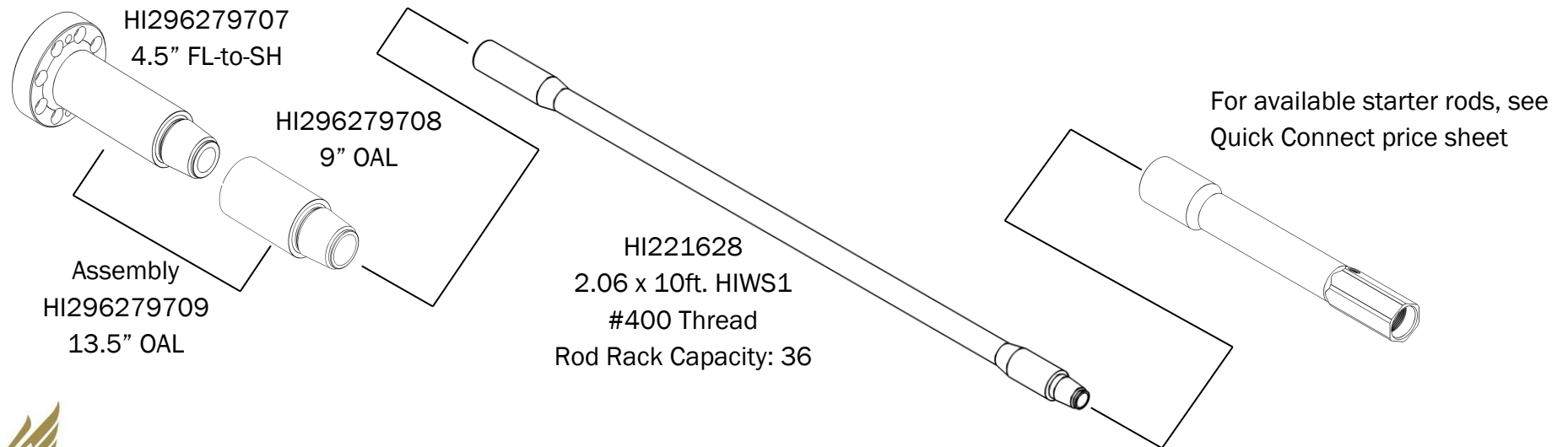
Vermeer®

D18x22, D20x22

Component Road Map



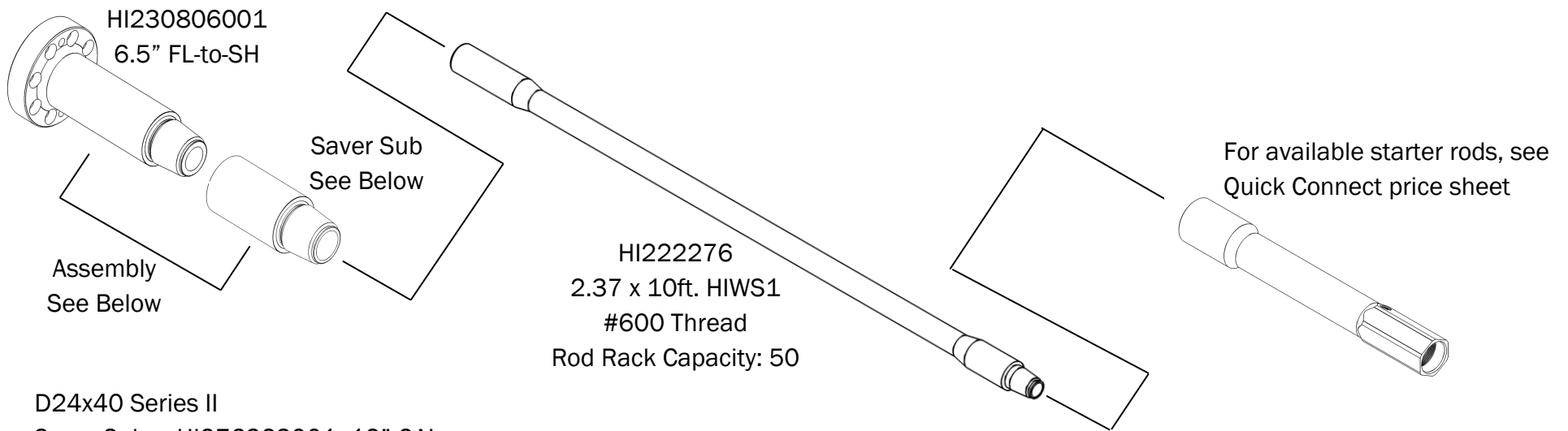
OR



Vermeer®

D24x40 Series II, D24x40 S3

Component Road Map



D24x40 Series II

Saver Sub – HI276323001, 12" OAL

Assembly – HI296273550, 18.5" OAL

D24x40 S3

Saver Sub – HI296443760, 12.5" OAL

Assembly – HI296443778, 19" OAL



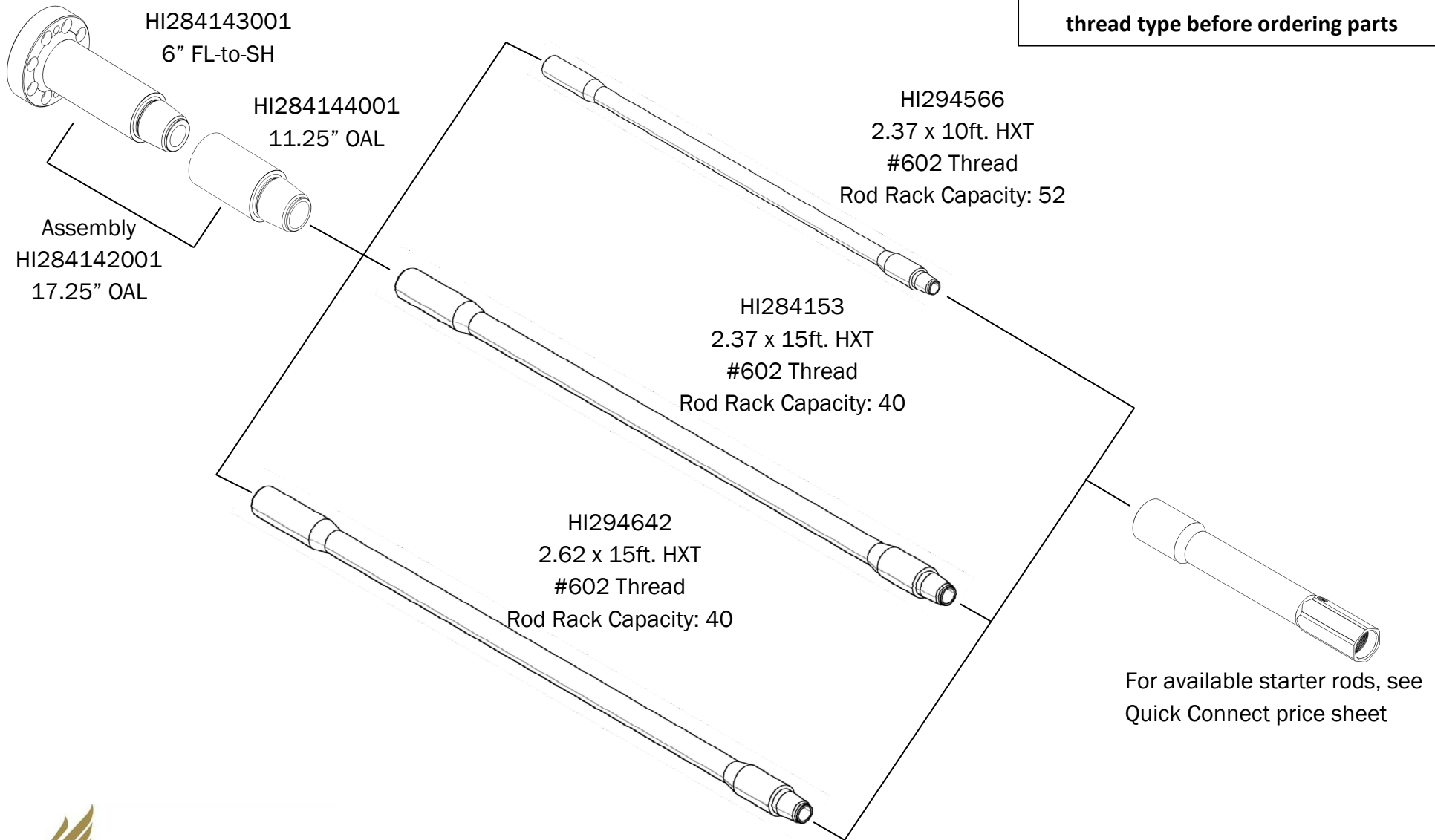
Vermeer®

D33x44, D36x50, D36x50 Series II (S/N 101 - 473)

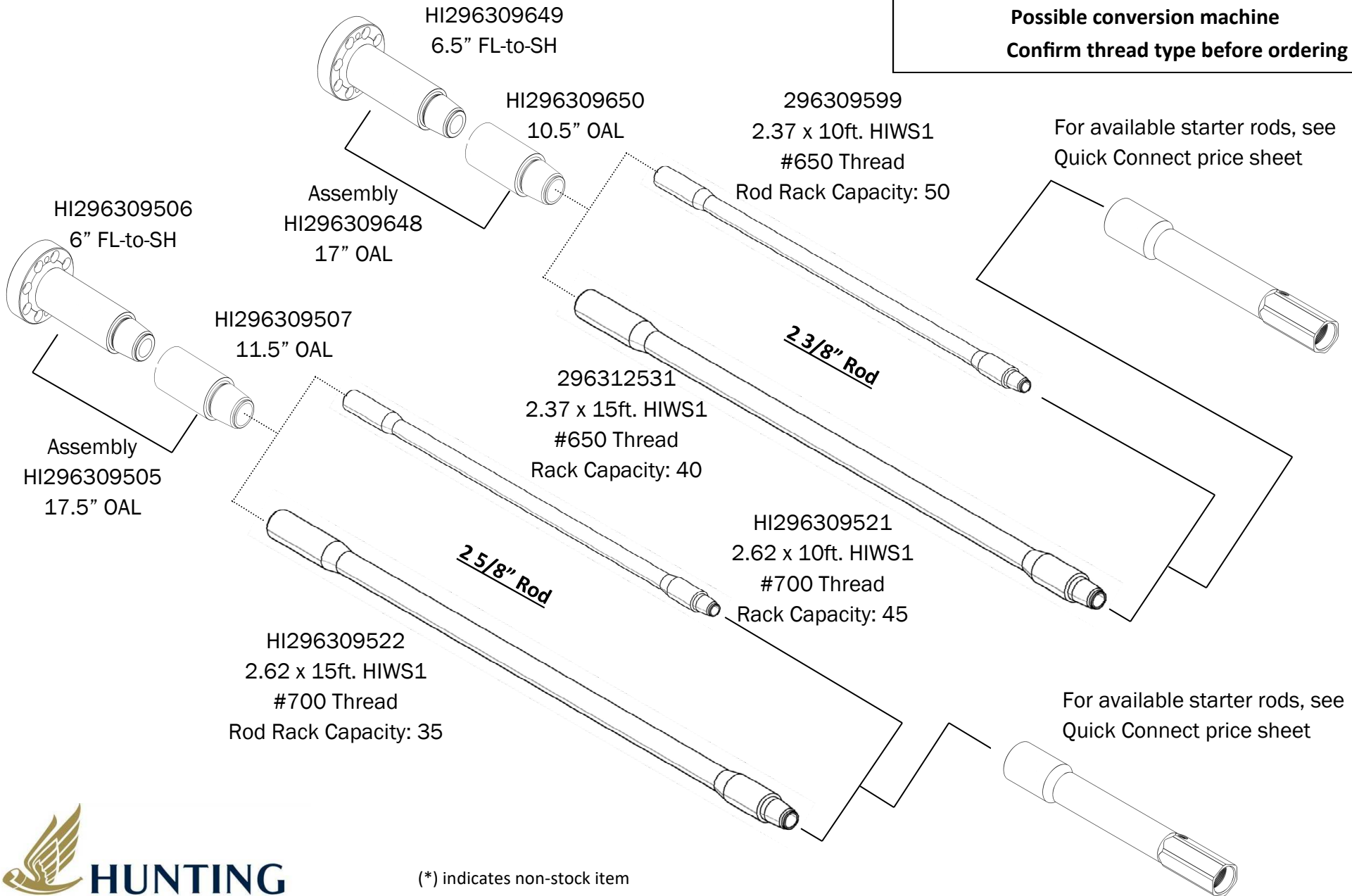
HXT

Component Road Map

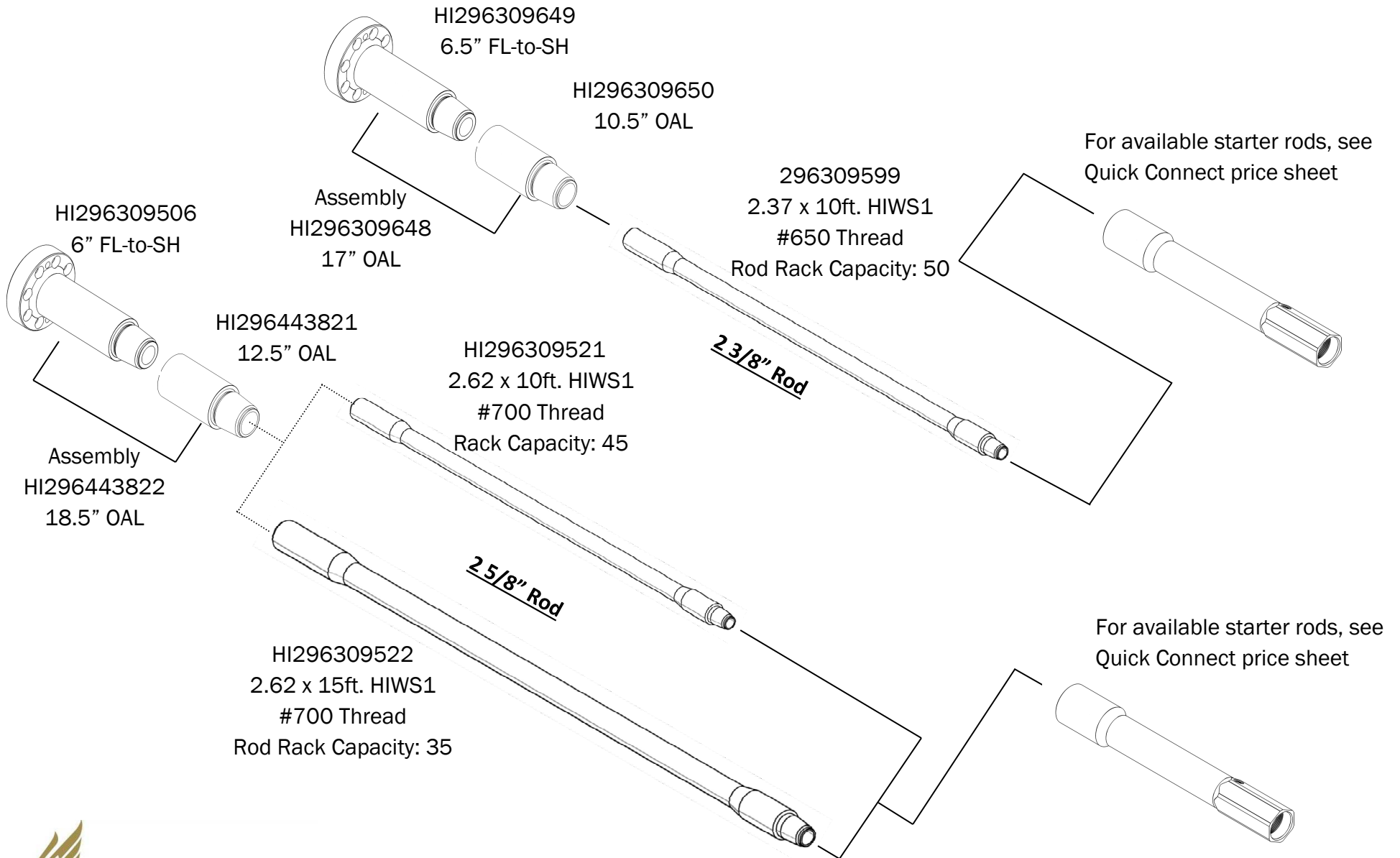
Possible conversion machine - Confirm thread type before ordering parts



Possible conversion machine
Confirm thread type before ordering



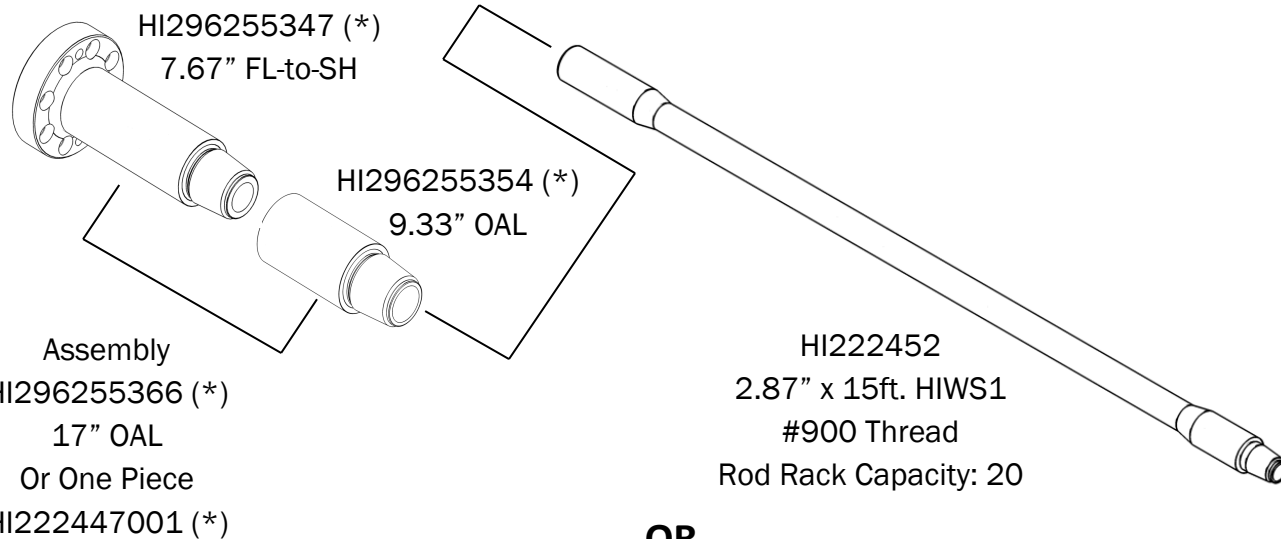
(*) indicates non-stock item



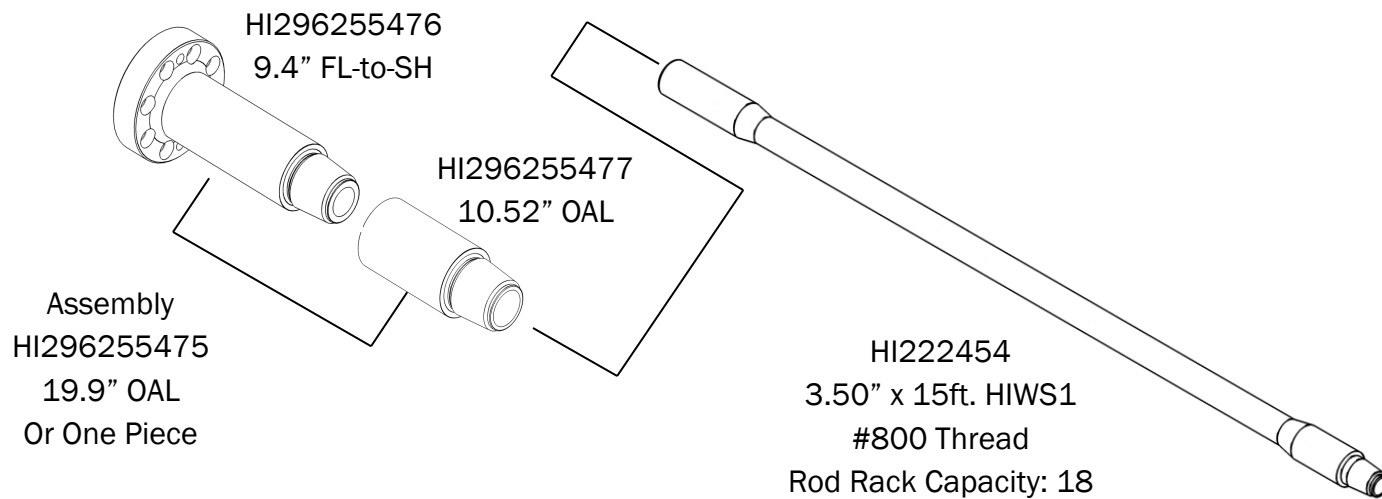
Vermeer®

D50x100, D50x100A

Component Road Map



OR



(*) indicates non-stock item

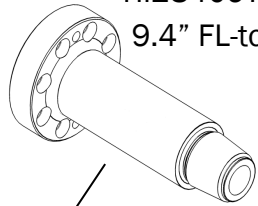


Vermeer®

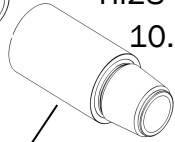
D55x100, D75x100

Component Road Map

HI284097001
9.4" FL-to-SH

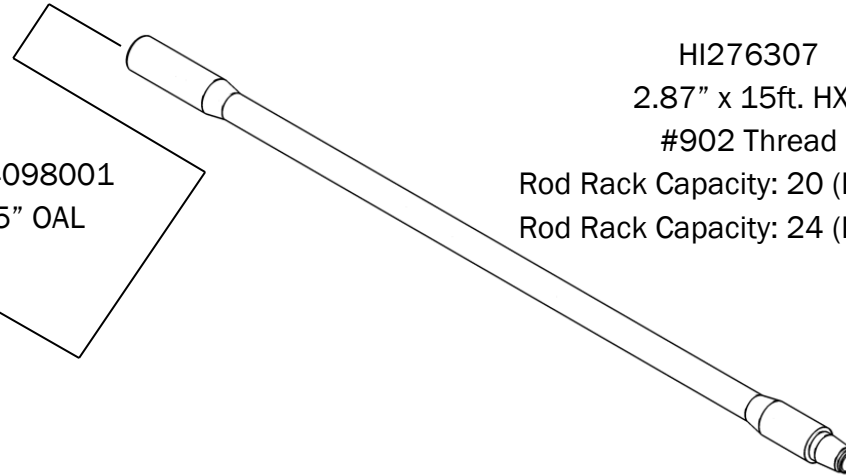


HI284098001
10.5" OAL



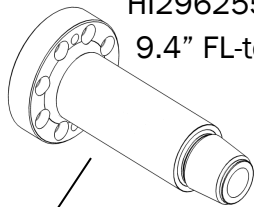
Assembly
HI284094001
20" OAL

HI276307
2.87" x 15ft. HXT
#902 Thread
Rod Rack Capacity: 20 (D55x100)
Rod Rack Capacity: 24 (D75x100)

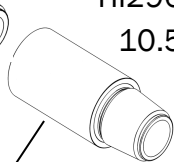


OR

HI296255476
9.4" FL-to-SH

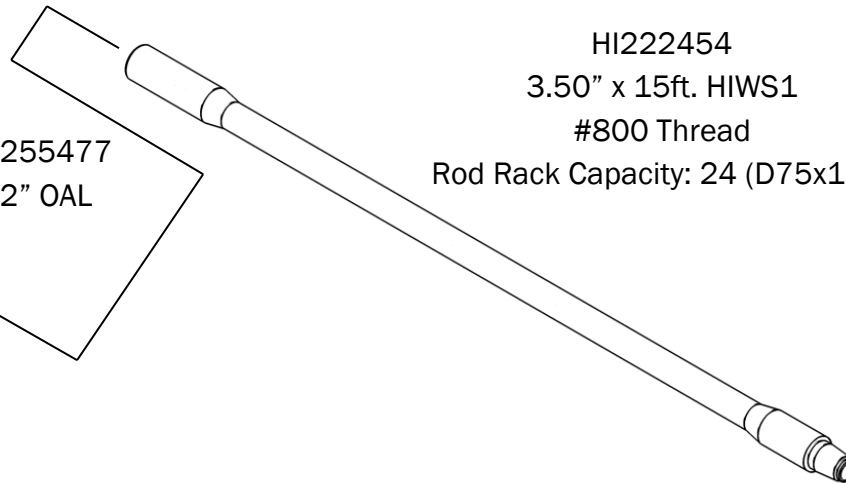


HI296255477
10.52" OAL

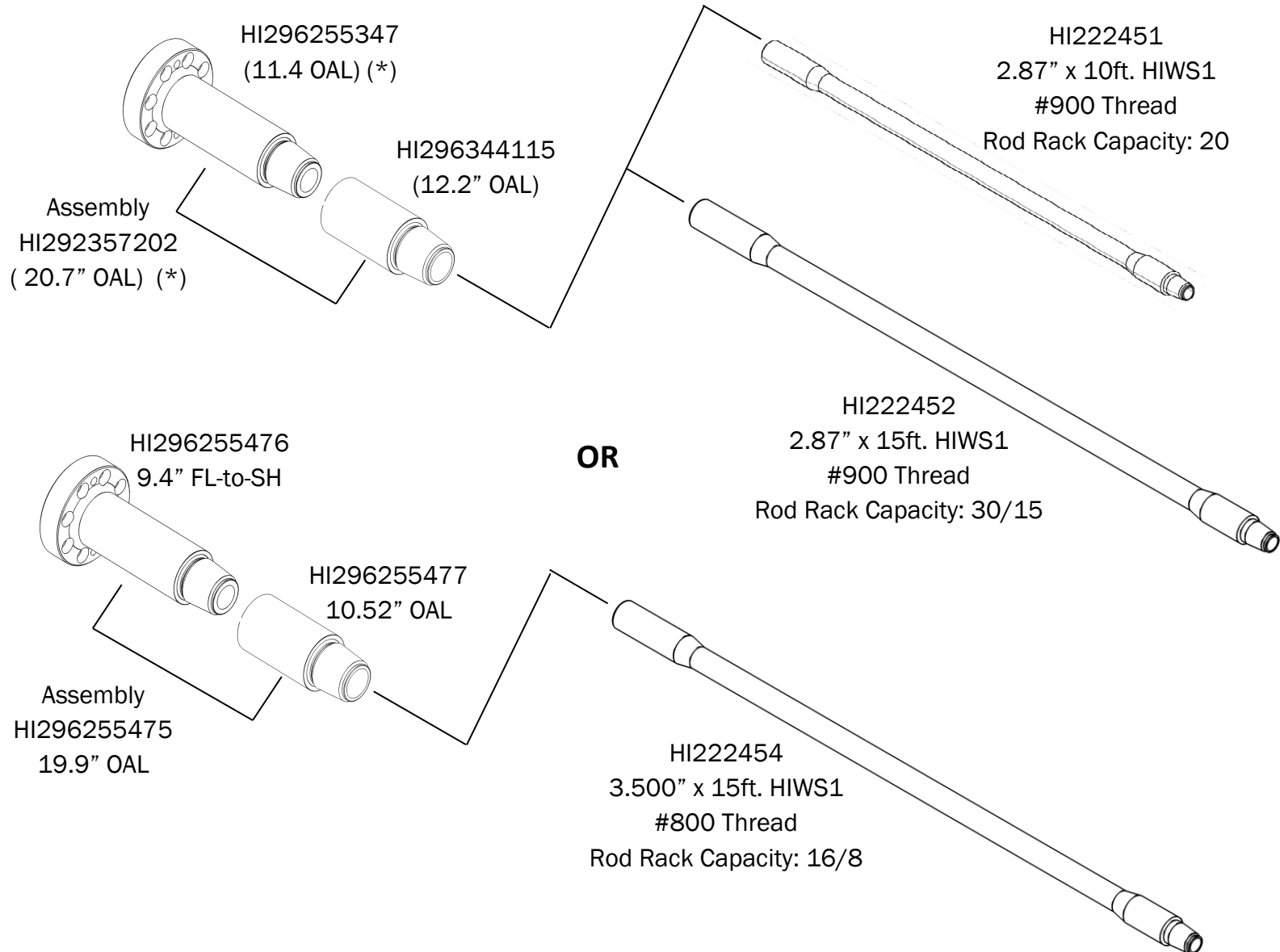


Assembly
HI296255475
19.9" OAL

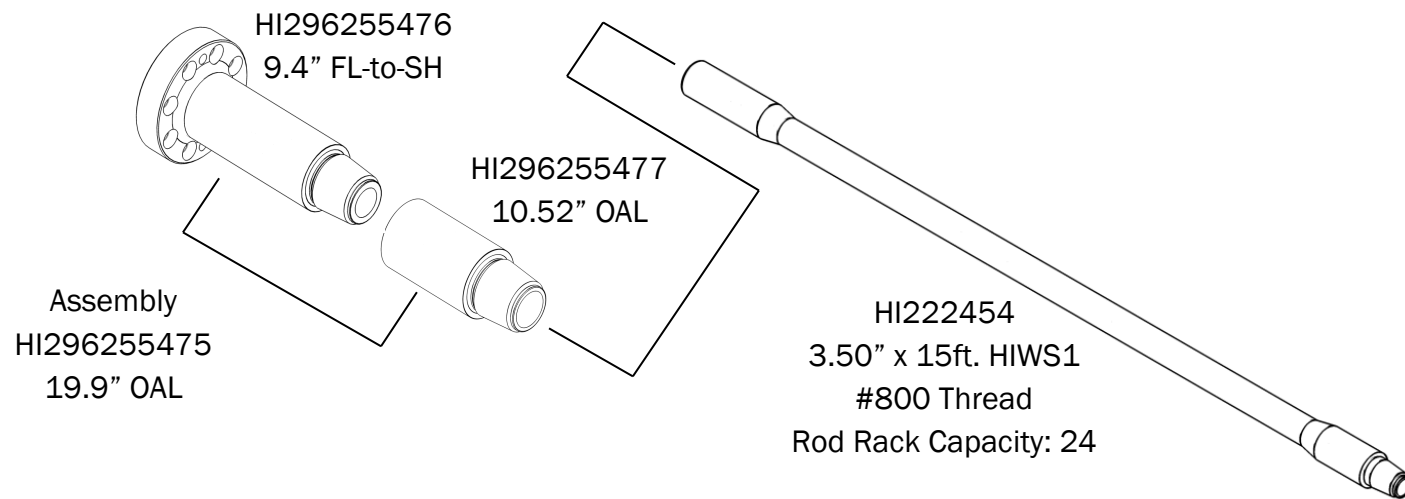
HI222454
3.50" x 15ft. HIWS1
#800 Thread
Rod Rack Capacity: 24 (D75x100)



(* indicates non-stock item)



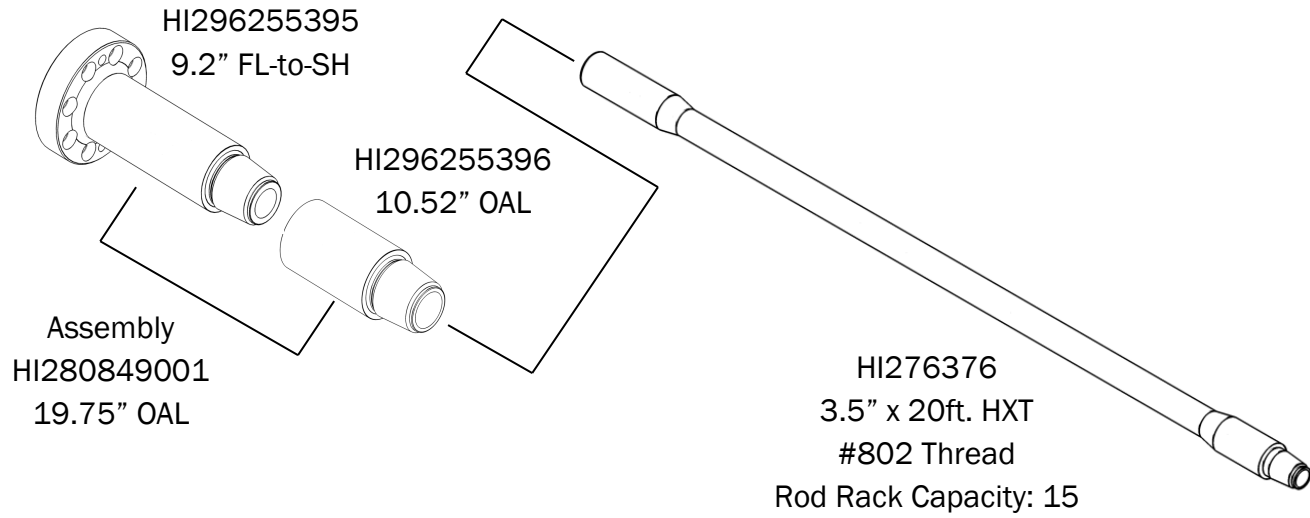
(*) indicates non-stock item



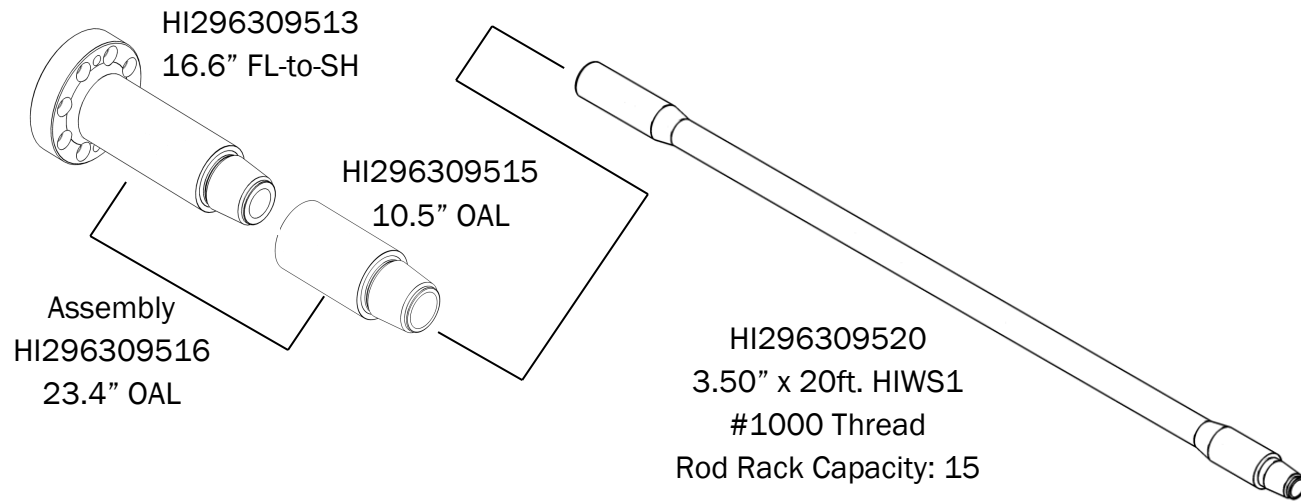
Vermeer®

D80x120, D100x120, D100x120 Series II

Component Road Map



OR

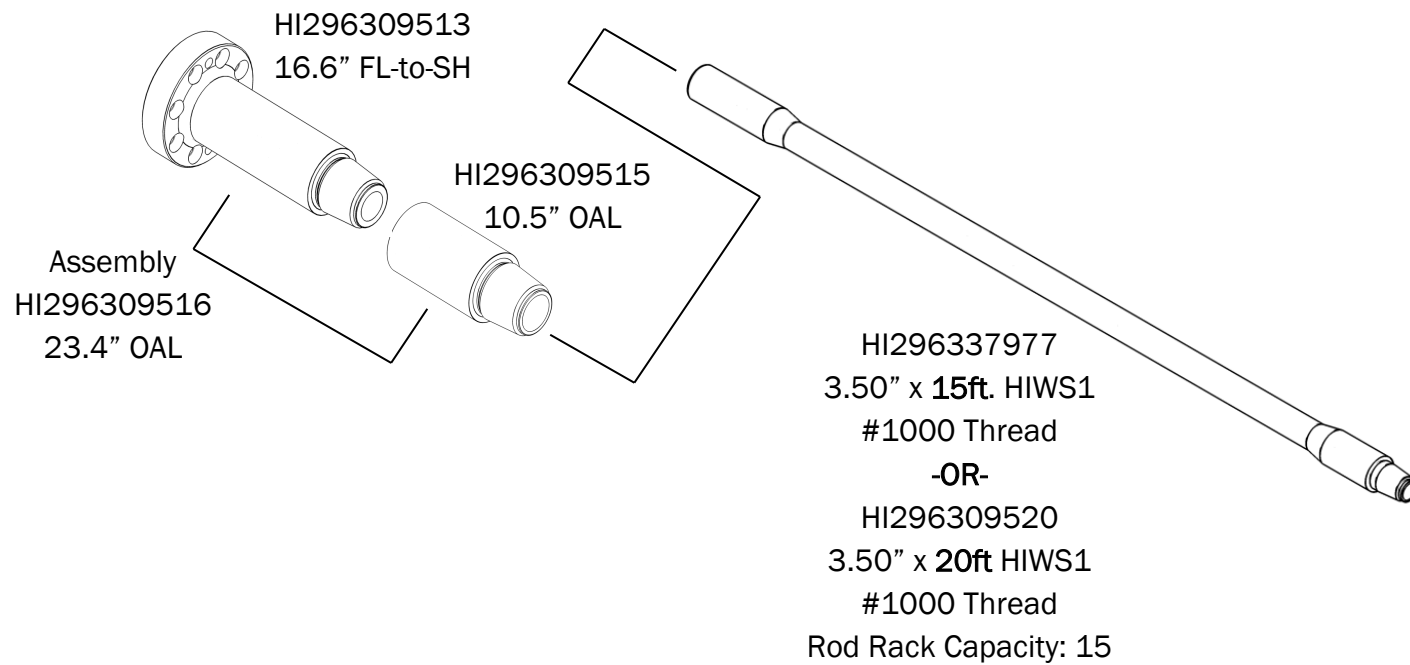


(*) indicates non-stock item

Vermeer®

D100x140, D100x140 S3

Component Road Map



(* indicates non-stock item)