



U.S. Department
of Transportation

East Building, PHH – 32
1200 New Jersey Avenue, Southeast
Washington, D.C. 20590

**Pipeline and Hazardous
Materials Safety Administration**

**The US Department of Transportation
Competent Authority for the United States**

CLASSIFICATION OF EXPLOSIVES
FIFTH REVISION

Based upon a request by Hunting Titan, Inc., 143 HCR 4361, Milford, TX 76670, US, the following items are classed in accordance with Section 173.56, Title 49, Code of Federal Regulations (49 CFR). A copy of your application, all supporting documentation and a copy of this approval must be retained and made available to DOT upon request.

An EX approval is non-transferable in any merger, acquisition, sale of assets, or other business transaction. For more information, please visit:
[<https://www.phmsa.dot.gov/registration/faq-mergers-acquisitions-and-legal-status-changes-pdf>]

U.N. PROPER SHIPPING NAME AND NUMBER:

Cartridges, oil well, UN0278

U.N. CLASSIFICATION CODE: 1.4C

REFERENCE NUMBER:

EX2016020060

PRODUCT DESIGNATION/PART NUMBER:

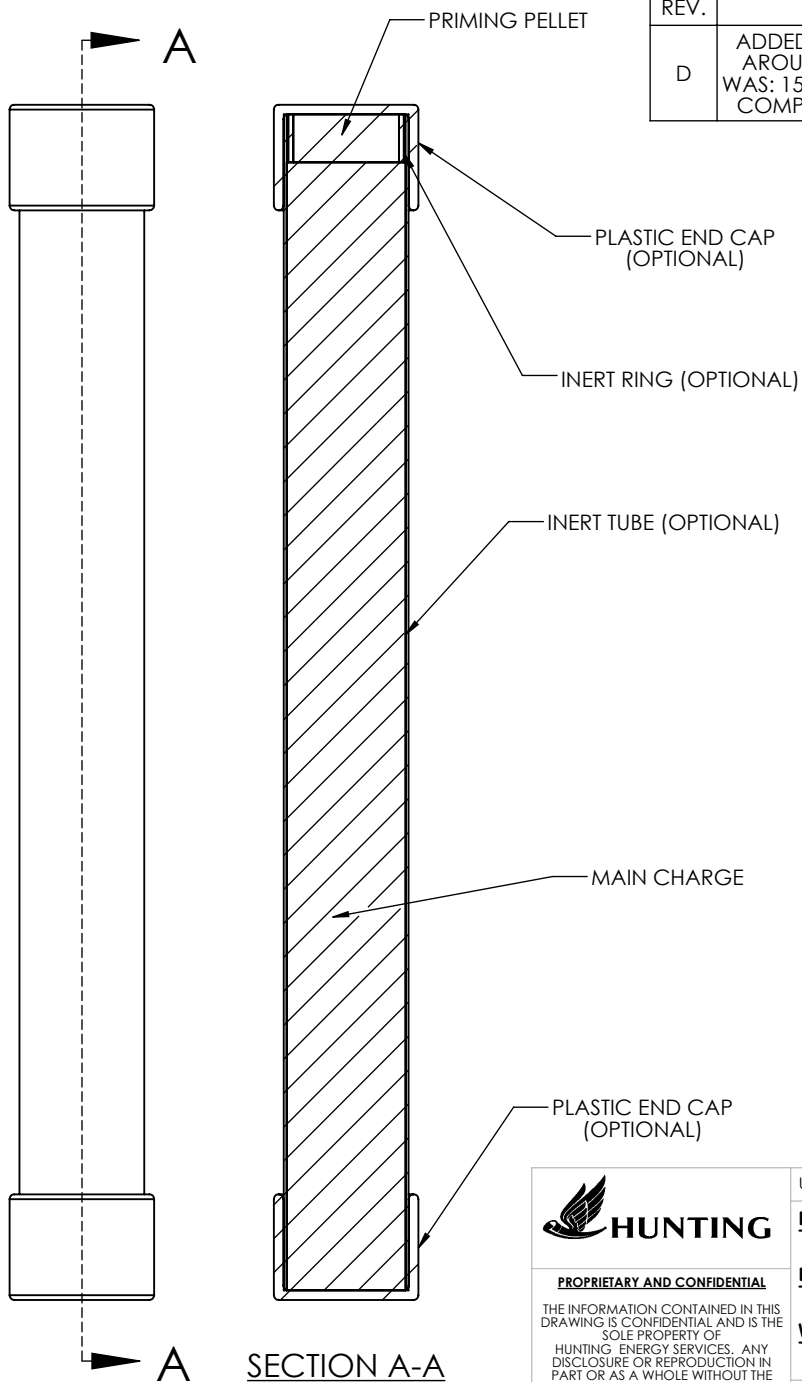
D/N's: 1400 Family Drawing Rev. D (P/N: 1400),
1401 Family Drawing Rev. D (P/N: 1401)

NOTES: This classification is only valid when the cartridges are packaged as follows:
Outer Packaging - UN 4G fiberboard box or UN 4H2 plastic box, each containing not more than 8.24 kg NEW of cartridges.

This approval as revised supersedes all previous versions.

DATED: September 21, 2020

for William Schoonover
Associate Administrator for Hazardous Materials Safety



| REVISIONS | | | | | |
|-----------|-------------------------------------------------------------------------------------------------------------------------------------------------------|----|---------------------------|---------------|-------------|
| REV. | DESCRIPTION | BY | ECO/DCN # | DATE APPROVED | APPROVED BY |
| D | ADDED END CAP TO TOP & OPTIONAL RING AROUND PRIMING PELLET, CHANGED MAX WAS: 15.0", 2.0", 400G, 10G, CHANGED ACCPT COMP OF MAIN CHARGE ALUM% WAS 5-20 | DM | DCN 1400 FAMILY DRAWING D | 5/25/2017 | CS |

| | ASSEMBLY HT | ASSEMBLY DIA | MAIN CHARGE WT | PRIMER PELLET WT |
|-----|-------------|--------------|----------------|------------------|
| MIN | 1.5" | 0.3" | 0G | 0G |
| MAX | 17.5" | 2.625" | 800G | 18G |

| MAIN CHARGE | | | | |
|------------------------|------------|---------------|----------------------------|----------------------------------------------------------------------|
| | WT.% EPOXY | WT.% ALUMINUM | WT.% POTASSIUM NITRATE | WT.% BUFFERING AGENT SUCH AS CALCIUM CARBONATE OR SODIUM BICARBONATE |
| ACCEPTABLE COMPOSITION | 33-85 | 0-20 | 20-50 | 0-10 |
| PRIMER PELLET | | | | |
| | WT.% EPOXY | WT.% ALUMINUM | WT.% POTASSIUM PERCHLORATE | WT.% BUFFERING AGENT SUCH AS CALCIUM CARBONATE OR SODIUM BICARBONATE |
| ACCEPTABLE COMPOSITION | 30-70 | 0-20 | 30-70 | 0-10 |

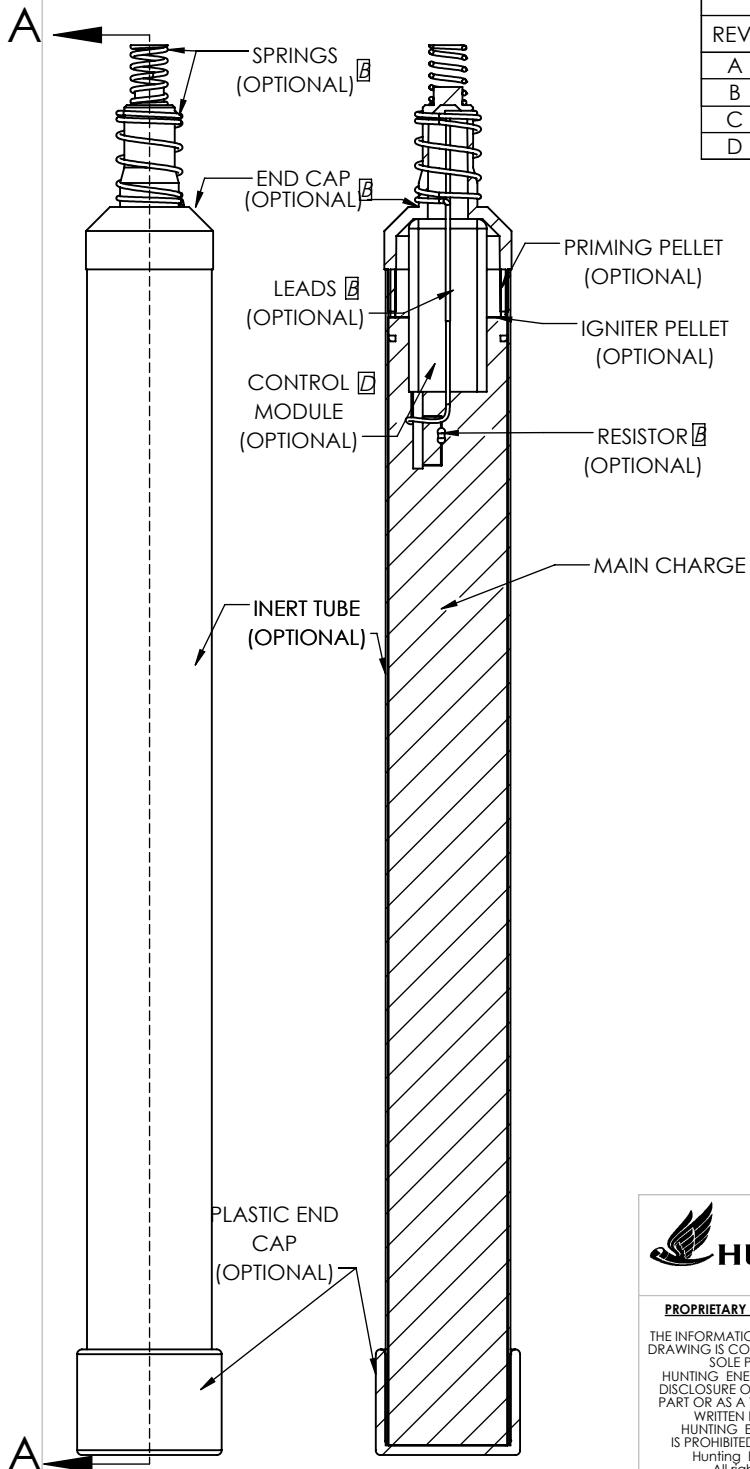


PROPRIETARY AND CONFIDENTIAL
 THE INFORMATION CONTAINED IN THIS DRAWING IS CONFIDENTIAL AND IS THE SOLE PROPERTY OF HUNTING ENERGY SERVICES. ANY DISCLOSURE OR REPRODUCTION IN PART OR AS A WHOLE WITHOUT THE WRITTEN PERMISSION OF HUNTING ENERGY SERVICES IS PROHIBITED. ©Copyright 2011, Hunting Energy Services All rights reserved.

UNLESS OTHERWISE SPECIFIED:
HEIGHT AND DIAMETER TOLERANCE: ± 0.25"
EXPLOSIVE WEIGHT TOLERANCE: ± 5%
WEIGHT PERCENTAGE TOLERANCE: ± 1 WT. %
 FINISH N/A HEAT TREAT N/A
 DO NOT SCALE DRAWING

| | NAME | DATE |
|----------|------------------------------------|------------|
| DRAWN | LMA | 11/17/2015 |
| APPROVED | CS | 5/25/2017 |
| COMMENTS | THIS AREA INTENTIONALLY LEFT BLANK | |
| MATERIAL | NOTED | |

| | | | |
|-----------------------------------------------------------------------|---------------------------------|-----------------|--|
| TITLE: POWER CHARGE FAMILY PRODUCT NUMBER 1400 UN 0278, 1.4C | | | |
| SIZE A | DWG. NO. 1400 FAMILY DRAWING | REV D | |
| SCALE: NONE | WEIGHT: LBS. | SHEET 1 OF 1 | |



| REVISIONS | | | | | |
|-----------|--------------------------------------|----|---------------------------|---------------|-------------|
| REV. | DESCRIPTION | BY | ECO/DCN # | DATE APPROVED | APPROVED BY |
| A | NEW DRAWING | ZT | DCN 1401 FAMILY DRAWING | 5-24-2019 | SW |
| B | ADDED END CAP, SPRINGS, AND RESISTOR | ZT | DCN 1401 FAMILY DRAWING B | 7-31-2019 | SW |
| C | WAS 20-50 | ZT | DCN 1401 FAMILY DRAWING C | 1-24-2020 | TS |
| D | ADDED CONTROL MODULE | TS | DCN 1401 FAMILY DRAWING D | 7-28-2020 | ZT |

| | ASSEMBLY HT | ASSEMBLY DIA | MAIN CHARGE WT | PRIMER PELLETT WT | IGNITER PELLETT WT |
|-----|-------------|--------------|----------------|-------------------|--------------------|
| MIN | 1.5" | 0.3" | 0G | 0G | 0G |
| MAX | 17.5" | 2.625" | 800G | 18G | 6G |

| MAIN CHARGE | | | | |
|------------------------|-------------|---------------|--------------------------------|----------------------------------------------------------------------|
| | WT.% EPOXY | WT.% ALUMINUM | WT.% POTASSIUM NITRATE | WT.% BUFFERING AGENT SUCH AS CALCIUM CARBONATE OR SODIUM BICARBONATE |
| ACCEPTABLE COMPOSITION | 33-85 | 0-20 | 20-67 <input type="checkbox"/> | 0-10 |
| PRIMER PELLETT | | | | |
| | WT.% EPOXY | WT.% ALUMINUM | WT.% POTASSIUM PERCHLORATE | WT.% BUFFERING AGENT SUCH AS CALCIUM CARBONATE OR SODIUM BICARBONATE |
| ACCEPTABLE COMPOSITION | 30-70 | 0-20 | 30-70 | 0-10 |
| IGNITER PELLETT | | | | |
| | WT. % BKNO3 | | | |
| ACCEPTABLE COMPOSITION | 0-100 | | | |

PROPRIETARY AND CONFIDENTIAL
 THE INFORMATION CONTAINED IN THIS DRAWING IS CONFIDENTIAL AND IS THE SOLE PROPERTY OF HUNTING ENERGY SERVICES. ANY DISCLOSURE OR REPRODUCTION IN PART OR AS A WHOLE WITHOUT THE WRITTEN PERMISSION OF HUNTING ENERGY SERVICES IS PROHIBITED. ©Copyright 2011, Hunting Energy Services All rights reserved.

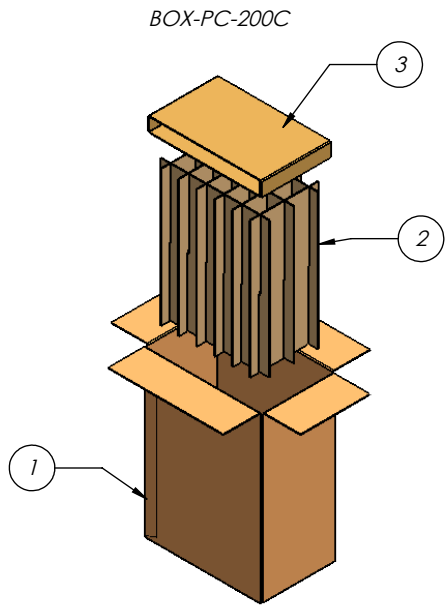
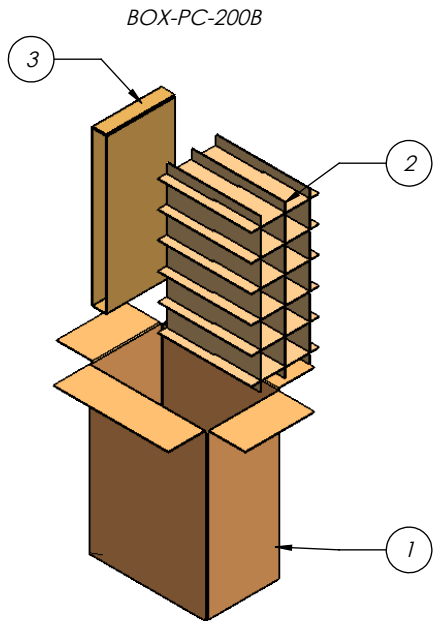
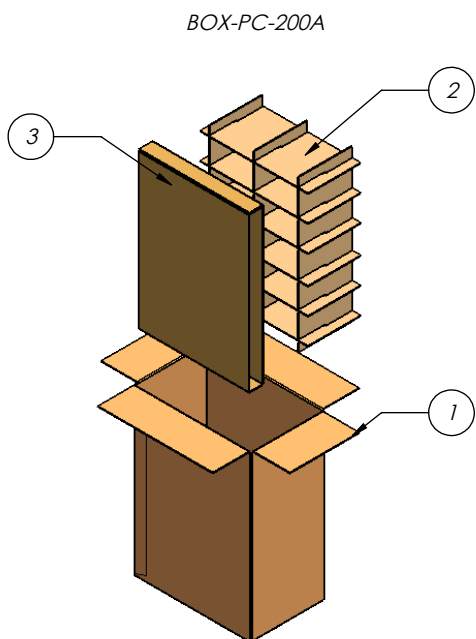
UNLESS OTHERWISE SPECIFIED:
HEIGHT AND DIAMETER TOLERANCE: ± 0.25"
EXPLOSIVE WEIGHT TOLERANCE: ± 5%
WEIGHT PERCENTAGE TOLERANCE: ± 1 WT. %
 FINISH N/A HEAT TREAT N/A
 DO NOT SCALE DRAWING

| | |
|------------------------------------|-----------|
| NAME | DATE |
| ZT | 5-1-2019 |
| APPROVED SW | 5-24-2019 |
| COMMENTS | |
| THIS AREA INTENTIONALLY LEFT BLANK | |
| MATERIAL | |
| NOTED | |

TITLE:
POWER CHARGE FAMILY PRODUCT NUMBER 1401 UN 0278, 1.4C

| | | |
|-------------|----------------------------|---------------------|
| SIZE | DWG. NO. | REV |
| A | 1401 FAMILY DRAWING | D |
| SCALE: NONE | WEIGHT: LBS. | SHEET 1 OF 1 |

| REVISIONS | | | | | |
|-----------|-------------|----|-----------|---------------|-------------|
| REV. | DESCRIPTION | BY | ECO/DCN # | DATE APPROVED | APPROVED BY |
| A | NEW DRAWING | DM | ECO 1566E | 10/16/2017 | CS |



| ITEM NO. | PART NUMBER | DESCRIPTION | QTY. |
|----------|-------------|---------------------------------------------|------|
| 1 | PKG-PC-201 | FIBERBOARD BOX OUTER PACKAGING 275 BC KRAFT | 1 |
| 2 | PKG-PC-202 | PARTITION CELL DIVIDERS 275 C KRAFT | 1 |
| 3 | PKG-PC-207 | AIR VOID 275 C KRAFT | 1 |

| ITEM NO. | PART NUMBER | DESCRIPTION | QTY. |
|----------|-------------|---------------------------------------------|------|
| 1 | PKG-PC-201 | FIBERBOARD BOX OUTER PACKAGING 275 BC KRAFT | 1 |
| 2 | PKG-PC-203 | PARTITION CELL DIVIDERS 275 C KRAFT | 1 |
| 3 | PKG-PC-205 | AIR VOID 275 C KRAFT | 1 |

| ITEM NO. | PART NUMBER | DESCRIPTION | QTY. |
|----------|-------------|---------------------------------------------|------|
| 1 | PKG-PC-201 | FIBERBOARD BOX OUTER PACKAGING 275 BC KRAFT | 1 |
| 2 | PKG-PC-204 | PARTITION CELL DIVIDERS 275 C KRAFT | 1 |
| 3 | PKG-PC-206 | AIR VOID 275 C KRAFT | 1 |

HUNTING

PROPRIETARY AND CONFIDENTIAL

THE INFORMATION CONTAINED IN THIS DRAWING IS CONFIDENTIAL AND IS THE SOLE PROPERTY OF HUNTING ENERGY SERVICES. ANY DISCLOSURE OR REPRODUCTION IN PART OR AS A WHOLE WITHOUT THE WRITTEN PERMISSION OF HUNTING ENERGY SERVICES IS PROHIBITED. ©Copyright 2011, Hunting Energy Services All rights reserved.

UNLESS OTHERWISE SPECIFIED:
 DIMENSIONS ARE IN INCHES
 TOLERANCES:
 ANGULAR: MACHINE ± 1/4°
 ONE PLACE DECIMAL: ± .050
 TWO PLACE DECIMAL: ± .015
 THREE PLACE DECIMAL: ± .005
 FOUR PLACE DECIMAL: ± .0005
 COAXIAL DIAMETERS CONCENTRIC WITHIN .005
 MACHINED FINISHES 125 MAX.
 REMOVE ALL BURRS AND SHARP EDGES MIN. R.010

FINISH: N/A HEAT TREAT: N/A

DO NOT SCALE DRAWING

NAME: DM DATE: 5/23/2017

APPROVED: CS 10/16/2017

COMMENTS: THIS AREA INTENTIONALLY LEFT BLANK

MATERIAL: SEE NOTES

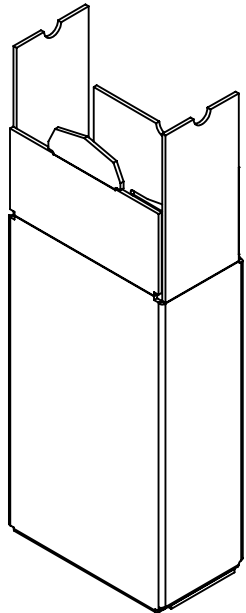
TITLE: PACKAGING ASSEMBLY POWER CHARGE BOX

SIZE: A DWG. NO.: BOX-PC-200 REV: A

SCALE: NONE WEIGHT: LBS. SHEET 1 OF 1

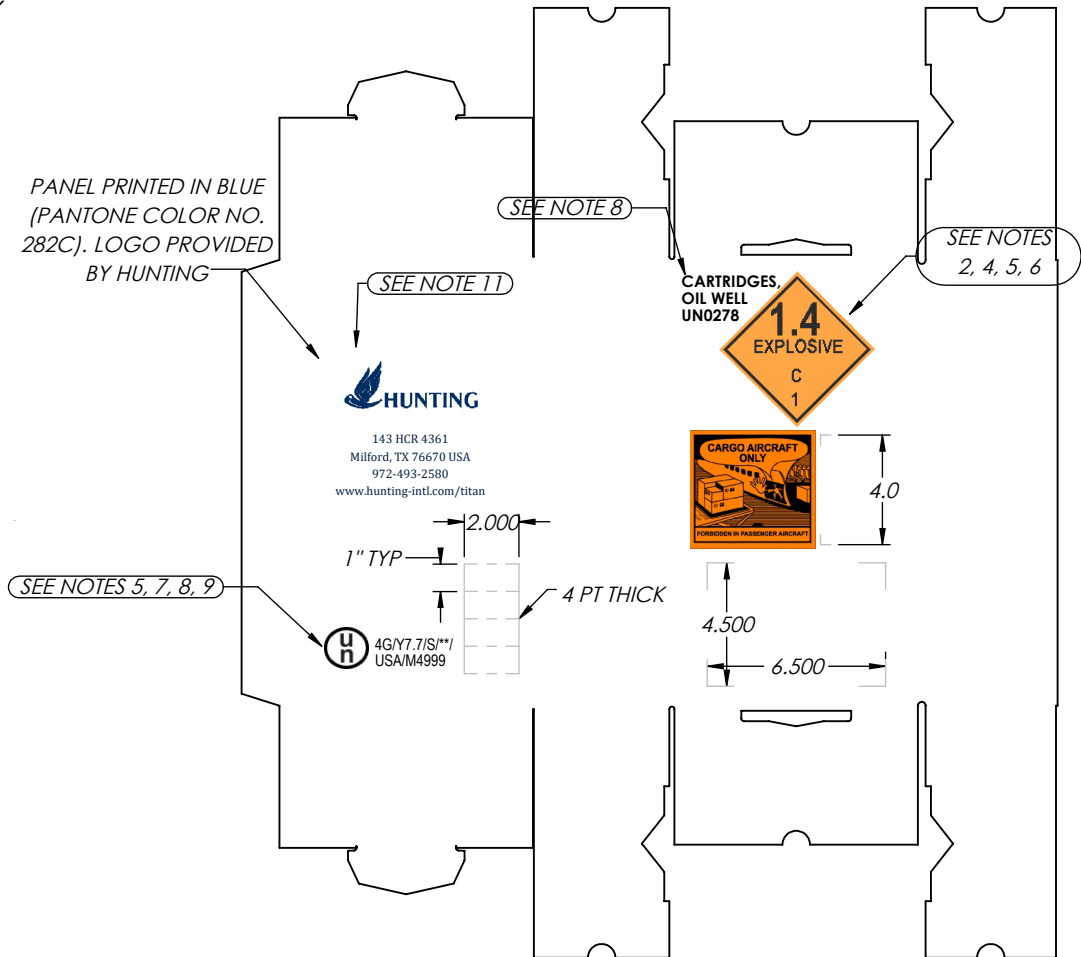
NOTES:

1. CIRCLE DESIGNATES CRITICAL INSPECTION POINT.
2. THERE WILL BE A VISUAL INSPECTION OF ALL LABELS AND MARKINGS.
3. IT IS THE RESPONSIBILITY OF THE BOX MANUFACTURER TO ENSURE THAT ALL HAZARD LABELS AND MARKINGS, INCLUDING THEIR COLOR, SIZE, SHAPE, AND LOCATION MEET REGULATORY REQUIREMENTS (DOT 49 CFR, IATA, IMDG).
4. HAZARD LABEL MUST MEET REGULATIONS DOT 49 CFR 172.407 AND 172.411.
 - HAZARD LABEL TO BE SQUARE ON POINT.
 - HAZARD LABEL TO HAVE A BLACK LINE 0.20 TO 0.25 IN FROM THE EDGE OF THE SQUARE.
 - WIDTH OF SOLID LINE FORMING THE INNER BORDER MUST BE AT LEAST 2MM.
5. CARGO AIRCRAFT ONLY LABEL MUST MEET DOT 49 CFR 172.407 AND 172.448.
6. TEXT: BLACK
7. FIGURES: (ORANGE (PANTONE COLOR NO. 151U)) ACCEPTABLE TOLERANCE ARE GIVEN IN 49 CFR 172, APPENDIX A, TABLE 3.
8. TEXT MUST HAVE 1/2" TALL LETTERING.
9. (**) ON THE UN TEST MARKING SHOULD BE THE LAST TWO DIGITS OF THE YEAR OF MANUFACTURE OF THE BOX.
10. DIMENSIONS SPECIFYING PRINT LOCATION FROM THE SCORE LINE ARE 1/8 IN.
11. FIGURE: PMS PROCESS BLACK C.
12. FIGURE MUST MEET HUNTING BRAND GUIDELINES.



INTERNAL DIMENSIONS (L x W x H):
9 1/8" x 4 3/4" x 16 1/8"

| REVISIONS | | | | | |
|-----------|-------------------------|----|------------------|---------------|-------------|
| REV. | DESCRIPTION | BY | ECO/DCN # | DATE APPROVED | APPROVED BY |
| A | NEW DRAWING | TS | DCN | 8/18/2020 | ZT |
| B | UN CODE UPDATED | DM | DCN PKG-PC-701 B | 9/14/2020 | TS |
| C | INCREASED INTERNAL DIMS | ZT | DCN PKG-PC-701 C | 5/17/2020 | SW |
| D | UN CODE UPDATED | DM | DCN PKG-PC-701 D | 7/6/2021 | ZT |



PROPRIETARY AND CONFIDENTIAL

THE INFORMATION CONTAINED IN THIS DRAWING IS CONFIDENTIAL AND IS THE SOLE PROPERTY OF HUNTING ENERGY SERVICES. ANY DISCLOSURE OR REPRODUCTION IN PART OR AS A WHOLE WITHOUT THE WRITTEN PERMISSION OF HUNTING ENERGY SERVICES IS PROHIBITED. ©Copyright 2011, Hunting Energy Services All rights reserved.

UNLESS OTHERWISE SPECIFIED:

DIMENSIONS ARE IN INCHES
TOLERANCES:
ANGULAR: MACHINE ± 1/4°
ONE PLACE DECIMAL: ± .050
TWO PLACE DECIMAL: ± .015
THREE PLACE DECIMAL: ± .005
FOUR PLACE DECIMAL: ± .0005
COAXIAL DIAMETERS CONCENTRIC WITHIN .005
MACHINED FINISHES 125 MAX.
REMOVE ALL BURRS AND SHARP EDGES MIN. R.010

| | |
|--------|------------|
| FINISH | HEAT TREAT |
| N/A | N/A |

DO NOT SCALE DRAWING

| | |
|----------|-----------|
| NAME | DATE |
| TS | 8/10/2020 |
| APPROVED | ZT |
| | 8/18/2020 |

COMMENTS
THIS AREA INTENTIONALLY LEFT BLANK

MATERIAL
275# C/F KRAFT

| | | | | |
|-----------------------------------------|--|------------------|-------------------------------|---------------------|
| TITLE: POWER CHARGE OUTER BOX | | SIZE A | DWG. NO. PKG-PC-701 | REV D |
| SCALE: NONE | | WEIGHT: LBS. | | SHEET 1 OF 2 |

UN APPROVALS CERTIFICATE

CERTIFICATE NUMBER: UN USA/M4999 Power Charge Packaging – 3 Inners
REFERENCE: TEST REPORT 21-0036

PACKAGE PERFORMANCE TESTS

1. DESCRIPTION OF PACKAGING:

Hunting Titan identification: BOX-PC-200; Fiberboard Box (14" x 8.8" x 19.4" exterior dimensions) for power charges used in the oil industry.

2. UN TYPE PACKAGING CODE: 4G

3. TESTS PERFORMED:

Design Qualification Testing [49 CFR Sec. 178.601(c)(1) and 178.601(d)]:

| Test Description | UN Ref. No. | CFR 49 | Intensity | Results |
|------------------|---------------|-----------------------|-----------------------|---------|
| Drop Test | Chap 6.1.5.3 | 178.603 Gp II (1.2 m) | 1.2 m | Passed |
| Stacking Test | Chap 6.1.5.6 | 178.606 3 m | 3 m | Passed |
| COBB Test | Chap 6.1.4.12 | 178.516(b)(1) | 155 gm/m ² | Passed |
| Vibration Test | | 178.608 | 1.1g @ 254 RPM | Passed |

Periodic Retesting [49 CFR 178.601(c)(2) and 178.601(e)]:

| Test Description | UN Ref. No. | 49 CFR | Intensity | Results |
|------------------|--------------|-----------------------|-----------|---------|
| Drop Test | Chap 6.1.5.3 | 178.603 Gp II (1.2 m) | 1.2 m | Passed |
| Stacking Test | Chap 6.1.5.6 | 178.606 3 m | 3 m | Passed |

CERTIFICATION

Under the provisions of Title 49, CFR, Sec 178.601(b) and 107.403, Hunting Titan Energetics Division, certifies that the samples of the packaging tested under the August 19, 2021 Test Report, have successfully met and PASSED all performance testing requirements. The tests have been performed with standard good laboratory practices and in accordance with the United Nations Recommendations for the Transport of Dangerous Goods, the International Civil Aviation Organizations Technical Instructions for the Safe Transport of Dangerous Goods by Air, the International Maritime Dangerous Goods Code and the Code of Federal Regulations (CFR) 49. The packaging represented by the samples tested and the Packaging Specifications may therefore bear the following Certification Reference Number:



**Debra C
McDonald**

Digitally signed by Debra C McDonald
DN: cn=Debra C McDonald, o=Hunting
Inc, ou, email=Debra.McDonald@hunting-
intl.com, c=US
Date: 2021.08.23 16:41:48 -05'00'

August 23, 2021

Debra McDonald
Compliance Coordinator

Date

** Asterisks are replaced by the last two digits of the year of packaging manufacture.

U. S. DEPARTMENT OF TRANSPORTATION

Performance Oriented Package Test Report

File Number: U-7520-21 Report Date: 25 June 2021

Tested by:
gh Package & Product Testing
& Consulting of Arizona, Inc.
21609 N. 12th Ave., Suite 300
Phoenix, AZ 85027
623.869.8008

Tested for:
Hunting Titan, Inc.
143 HCR 4361
Milford, TX 76670
Attn: Debra McDonald
972.493.2580

SECTION I

Design Qualification Testing
4G Combination Package for Articles
10 Articles [Power Charges]
UN0278 Cartridges, oil wells, 1.4C
Testing Date(s): 06/08/2021 – 06/10/2021
(Periodic Testing Required by July 2023)



4G/Y7.7/S/**
USA/****

***year of manufacture*

*****Name and address or symbol of the manufacturer*

[49 CFR §178.2(e), §178.503(a)(6), and §178.503(a)(8)]

This packaging design was successfully tested as required by 49 CFR and is suitable for use for shipments of compatible hazardous materials via surface and aircraft transportation⁽¹⁾. Use of packaging methods or package components other than those documented in this report may invalidate this testing. The shipper is solely responsible to ensure this packaging design is used in accordance with all requirements of the national & international regulations applicable to the intended commodity and intended mode(s) of transport (49CFR, ICAO/IATA, IMO/IMDG, et. al.).

⁽¹⁾49 CFR (§172.101, §173.24(i) & §173.27(f)) & ICAO/IATA may limit the quantities allowed in inner/outer packagings and/or prohibit shipments of specific commodities via aircraft.

Mr. Michael Greer (*Dir. Testing Services*)
gh Package & Product Testing and Consulting of Arizona, Inc.



ATTESTATION D'EXAMEN UE DE TYPE - MODULE B
EU-TYPE EXAMINATION CERTIFICATE - MODULE B

NUMERO D'ENREGISTREMENT :
REGISTRATION NUMBER:

0080.EXP.18.0015

INDICE : **2**
ISSUE:

NOM DU (DES) PRODUIT(S) :
NAME OF THE PRODUCT(S):

Propellant cartridge CE type 1450
(see references in the table)

(SOUS-)TYPE GÉNÉRIQUE :
GENERIC (SUB-)TYPE:

Charge de propergol
Propellant charge

CATÉGORIE :
CATEGORY:

--

FABRICANT :
MANUFACTURER:

Hunting Titan, Inc.
143 HCR 4361
Milford, Texas 76670, USA

L'Institut National de l'Environnement Industriel et des Risques (INERIS), notifié sous le numéro d'identification 0080 conformément à l'article 24 de la directive 2014/28/UE du Parlement Européen et du Conseil du 26 février 2014, et accrédité par le COFRAC sous le numéro 5-0045 dans le cadre de l'activité de certification de produits et services (portée disponible sur www.cofrac.fr), atteste que le produit désigné ci-avant est reconnu conforme aux exigences essentielles de sécurité telles que définies en annexe II de la directive 2014/28/UE. Les procédures de certification sont disponibles sur www.ineris.fr.

The National Institute for Industrial Environment and Risk (INERIS), notified with the identification number 0080 in accordance with the article 24 of the directive 2014/28/EU of the European Parliament and of the Council of 26 February 2014, and accredited by COFRAC under number 5-0045 for certification of products and services (scope available on www.cofrac.fr), testifies that the above-named product is recognized to conform to the essential safety requirements as defined in annex II of the directive 2014/28/EU. The certification procedures are available on www.ineris.fr.

Toute modification de la composition et/ou de la conception du produit doit être communiquée à l'INERIS.

Any change of the composition and/or the design of the product must be communicated to INERIS.

Verneuil-en-Halatte, **10 décembre 2021**

Le Directeur Général de l'INERIS

The Chief Executive Officer of INERIS

Par délégation, le Responsable Certification

By delegation, the Certification Manager



Annexe à l'attestation d'examen UE de type

0080.EXP.18.0015

Indice

2

Appendix to the EU-type examination certificate

Issue

A1- Description des produits couverts par ce certificat

Description of the product(s) covered by this certificate

The products already certified, as given in the previous issues of the certificate **0080.EXP.18.0015**, are entered with the highlighted new items in the consolidated table below.

- . Case: Primer pellet and propellant dispensed into a fiberboard tube.

Highlighted = new charge

| Product Name | Part Number / Manufacturer's Reference | Height | Diameter | NEW, kg | Total weight, kg |
|-------------------------------------|----------------------------------------|--------|----------|---------|------------------|
| | | in. | in. | | |
| HUNTING #10 POWER CHARGE | HPC-0010-410 | 12.5 | 1.33 | 0.4 | 0.4 |
| PowerSet #10 | HPC-0010-411 | 12.5 | 1.33 | 0.4 | 0.4 |
| PowerSet #10F (Fast Burn) | HPC-0010-412 | 12.5 | 1.33 | 0.4 | 0.4 |
| PowerSet Solo #10 | HPC-0010-431 | 14.8 | 1.33 | 0.4 | 0.4 |
| PowerSet Solo #10F | HPC-0010-432 | 14.8 | 1.33 | 0.4 | 0.4 |
| PowerSet Recon #10 | HPC-0010-441 | 14.8 | 1.33 | 0.4 | 0.4 |
| PowerSet Recon #10F | HPC-0010-442 | 14.8 | 1.33 | 0.4 | 0.4 |
| HUNTING #20 POWER CHARGE | HPC-0020-510 | 12.0 | 1.63 | 0.6 | 0.6 |
| PowerSet #20 | HPC-0020-511 | 12.0 | 1.63 | 0.6 | 0.6 |
| PowerSet Solo #20 | HPC-0020-531 | 14.3 | 1.63 | 0.6 | 0.6 |
| PowerSet Recon #20 | HPC-0020-541 | 14.3 | 1.63 | 0.6 | 0.6 |
| Hunting 3-1/2" Power Charge | HPC-3500-510 | 9.0 | 2.13 | 0.5 | 0.6 |
| PowerSet 3-1/2" Shorty Power Charge | HPC-3500-711 | 9.0 | 2.13 | 0.7 | 0.7 |
| Hunting 3-5/8" Power Charge | HPC-3625-410 | 14.5 | 1.33 | 0.4 | 0.5 |
| PowerSet 3-5/8" Compact | HPC-3625-511 | 14.5 | 1.33 | 0.5 | 0.5 |

A2- Conditions particulières pour le stockage, la manipulation et l'utilisation

Special conditions for storage, manipulation and use

As specified by the manufacturer.

- . Shelf life 3 years
- . Limit temperatures for use up to 204°C / 1 hour
- . Limit temperatures for storage up to + 60°C (140°F)
- . Sensitiveness to impact To take into account
- . Sensitiveness to friction To take into account
- . Sensitiveness to ESD To take into account

A3- Document(s) technique(s) d'examen

Technical document(s) of examination

- . INERIS report reference DSC-18-178059-10377A, PNEO-AgCE 5/126, dated November 19, 2018;
- . Hunting Titan Inc. application file, dated September 15, 2021.



Safety Data Sheet

Product Name: Power Charges

*** Section 1 – Product and Company Identification ***

Manufacturer Information

Hunting Titan
143 HCR 4361
Milford, TX 76670
Phone: 972-493-2580

Hunting Energy Services
Level 25, 108 St. Georges Terrace
Perth, WA 6000
Phone: 0428 877 632

Chemtrec Emergency #: 800-424-9300

International Chemtrec Emergency #:

| | | | |
|--------------------|---------------------------------------------|---------------------|-------------------------------------------------|
| Argentina | 54-1159839431 | Mexico | 800-681-9531 (Toll Free) |
| Australia | 61-290372994 | Netherlands | 31-858880596 |
| Brazil | 55-2139581449 0800 892 0479 (Toll Free) | New Zealand | 64-98010034 |
| Chile | 56 2 2581 4934 | Nigeria | 234 1 227 8883 |
| China | 4001-204937 | Peru | 51-17071295 |
| Colombia | 01800-710-2151 (Toll Free) | Philippines | +63 2 8395 3308 1-800-1-116-1020 (Toll Free) |
| Costa Rica | 506-40003869 | Poland | 48-223988029 |
| Czech Republic | 420-228880039 | Romania | 40-37-6300026 |
| Denmark | 45-69918573 | Russia | 8-800-100-6346 (Toll Free) |
| Dominican Republic | 1 (829) 956-7588 | Saudi Arabia | 966-8111095861 |
| France | 33-975181407 | Singapore | 65-31581349 800-101-2201 (Toll Free) |
| Germany | 49-69643508409 0800-181-7059 (Toll Free) | South Africa | 0-800-983-611 (Toll Free) |
| India | 000-800-100-7141 (Toll Free) | Thailand | 001-800-13-203-9987 (Toll Free) |
| Indonesia | 001-803-017-9114 (Toll Free) | Trinidad and Tobago | 1-868-224-5716 |
| Italy | 39-0245557031 800-789-767 (Toll Free) | Turkey | 90-212-7055340 |
| Japan | 81-345209637 | Ukraine | 380-947101374 |
| Malaysia | 60-392125794 1-800-815-308 (Toll Free) | United Kingdom | 44-870-8200418 44-2038073798 |



Safety Data Sheet

Product Name: Power Charges

*** Section 2 – Hazards Identification ***

GHS Classification:

Explosives - Division 1.4

GHS LABEL ELEMENTS

Symbol(s)



Signal Word

Warning

Hazard Statements

Fire or projection hazard.

Precautionary Statements

Prevention

Keep away from heat, hot surfaces, sparks, open flames and other ignition sources. No smoking.

Do not subject to grinding/shock/impact/flame/heat/friction.

Wash hands, forearms, and other exposed areas thoroughly after handling.

Do not attempt to disassemble.

Do not consume food, drink or tobacco in area where they may become contaminated with these materials. After handling or other exposure, immediately wash thoroughly with soap and water.

Wear protective gloves, protective clothing, and eye protection.

Response

Explosion risk in case of fire. DO NOT fight fire when fire reaches explosives; evacuate area for at least 1640 ft. (500 meters).

Corrosive vapors may be produced in fire.

Clean up should be done only by personnel experienced in handling explosives. Isolate area and remove sources of impact, friction, flame, heat.

Wear safety glasses, gloves and dust respirator (if area is dusty). Clean up, sweep up with non-sparking tools.

Storage

Store in accordance with local, regional, national, and international regulations.

Disposal

Dispose of contents/container in accordance with local, regional, national, and international regulations.

Other Hazards

PREVENTION OF ACCIDENTS IN THE USE OF EXPLOSIVES – The prevention of accidents in the use of explosives is a result of careful planning and observance of the best known practices. The explosives user must remember that they are dealing with a powerful force and that various devices and methods have been developed to assist them in directing this force. They should realize that this force, if misdirected, may either kill or injure both themselves and their fellow workers.



Safety Data Sheet

Product Name: Power Charges

WARNING – All explosives are dangerous and must be carefully handled and used following approved safety procedures either by or under the direction of competent, experienced persons in accordance with all applicable federal, state, and local laws, regulations, or ordinances. If you have any questions or doubts as to how to use any explosive product, DO NOT USE IT before consulting with your supervisor, or the manufacturer, if you do not have a supervisor. If your supervisor has any questions or doubts, they should consult the manufacturer before use.

*** Section 3 – Composition / Ingredient Information ***

| Component | CAS # | % |
|----------------------------|-----------|-------|
| Potassium Nitrate | 7757-79-1 | < 55% |
| Aluminum | 7429-90-5 | < 10% |
| Potassium Perchlorate | 7778-74-7 | < 5% |
| Epoxy (Resin and Hardener) | | < 60% |

*** Section 4 – First Aid Measures ***

First Aid: Eyes

For dust exposure: Immediately flush eyes with plenty of water for at least 30 minutes. Remove contact lenses, if present and easy to do. Continue rinsing. Get immediate medical advice / attention.

First Aid: Skin

For dust exposure: Immediately flush skin with plenty of water for at least 30 minutes. Get immediate medical advice / attention.

First Aid: Ingestion

Not an expected route of entry under normal product handling conditions.

First Aid: Inhalation

For dust or fume exposure: Remove victim to fresh air and keep at rest in a position comfortable for breathing. Immediately call a poison center, physician, or emergency medical service. Using proper respiratory protection, move the exposed person to fresh air at once. Encourage exposed person to cough, spit out, and blow nose to remove dust.

*** Section 5 – Fire Fighting Measures ***

General Fire Hazards

See Section 9 for Flammability Properties.

May deflagrate with impact, flame or heat. Detonation / deflagration causes hazardous fragments. Explosion risk in event of fire.

Explosive, could cause fire and secondary explosions. May intensify fire.

Explosives, Division 1.4 – Explosives (with no significant blast hazard). Heat may build pressure, rupturing closed containers, spreading fire and increasing risk of burns and injuries.

Fire or projection hazard.

Hazardous Combustion Products

Corrosive vapors may be produced in fire.

Extinguishing Media

None

Unsuitable Extinguishing Media

None

Fire Fighting Equipment/Instructions

DO NOT FIGHT FIRES! EXPLOSION MAY OCCUR! Isolate area. Evacuate area for at least 1640 ft. (500 meters). Guard against re-entry. Thermal decomposition can lead to release of irritating gases and vapors. Consult U.S. D.O.T. Emergency Response Guide or local emergency response personnel for further details.



Safety Data Sheet

Product Name: Power Charges

*** Section 6 – Accidental Release Measures ***

Recovery and Neutralization

None

Materials and Methods for Clean-Up

Clean up should be done only by personnel experienced in handling explosives. Isolate area and remove sources of impact, friction, flame, heat. Clean up; sweep up with non-sparking tools. Avoid generating dust. Do not get in eyes, on skin, or on clothing. Do not breathe dust or fumes.

Emergency Measures

Isolate area. Keep unnecessary personnel away.

Personal Precautions and Protective Equipment

Wear safety glasses, gloves and dust respirator (if area is dusty).

Environmental Precautions

Avoid release to the environment.

Prevention of Secondary Hazards

None

*** Section 7 – Handling and Storage ***

Handling Procedures

Keep away from impact, friction, flame, or heat. Do not attempt to disassemble. Do not consume food, drink, or tobacco in area where they may become contaminated with these materials. After handling or other exposure, immediately wash thoroughly with soap and water.

Storage Procedures

Store in accordance with local and safety and regulatory requirements.

Incompatibilities

Strong Acids, Strong Bases, and Strong Oxidizers.

*** Section 8 – Exposure Controls / Personal Protection ***

Component Exposure Limits

Aluminum (7429-90-5)

ACGIH: 1 mg/m³ TWA (respirable particulate matter)
OSHA: 15 mg/m³ TWA (total dust); 5mg/m³ TWA (respirable fraction)
NIOSH: 10 mg/m³ TWA (total dust); 5mg/m³ TWA (respirable dust)

Engineering Measures

Not required under normal product handling conditions.

Personal Protective Equipment: Respiratory

Not required under normal product handling conditions.

Personal Protective Equipment: Hands

Not required under normal product handling conditions.

Wear protective gloves to handle contents of damaged or leaking units.

Personal Protective Equipment: Eyes

Safety glasses recommended.

Personal Protective Equipment: Skin and Body

Protective work clothing.



Safety Data Sheet

Product Name: Power Charges

*** Section 9 – Physical and Chemical Properties ***

| | | | |
|----------------------------|---------------------------------------------------------------------------|---------------------------------|------|
| Physical State: | Solid | Odor: | None |
| Evaporation Rate: | ND | Odor Threshold: | ND |
| Melting Point: | ND | pH: | ND |
| Freezing Point: | ND | Flammability (solid, gas): | ND |
| Boiling Point: | ND | Vapor Pressure: | ND |
| Flash Point: | ND | Relative Vapor Density at 20°C: | ND |
| Auto Ignition Temperature: | ND | Relative Density: | ND |
| Decomposition Temperature: | ND | Solubility (H2O): | ND |
| Viscosity: | ND | Octanol/H2O Coeff.: | ND |
| Explosive Properties: | Explosives, Division 1.4 – Explosives (with no significant blast hazard). | | |
| Oxidizing Properties: | May intensify fire. | | |

*** Section 10 – Chemical Stability and Reactivity Information ***

Chemical Stability

This is a stable material under normal conditions.

Hazardous Reaction Potential

May explode if subjected to shock, impact, friction, heat or rough handling.

Conditions to Avoid

Keep away from direct sunlight, extreme temperatures, sparks, heat, ignition sources, and combustible materials.

Avoid dust accumulation to minimize explosion hazard.

Store away from oxidizing agents.

Incompatible Products

Strong Acids, Strong Bases, and Strong Oxidizers.

Hazardous Decomposition Products

Thermal decomposition generates corrosive vapors.

*** Section 11 – Toxicological Information ***

Acute Toxicity

A: General Product Information

Power charges do not present a health hazard in normal handling and use. However this is an explosive product and deflagration or detonation may cause severe physical injury, including death.

B: Component Analysis – LD50/LC50

Potassium Nitrate (7757-79-1)

Oral LD50 Rat 3015 mg/kg; Dermal LD50 Rat >5000 mg/kg

Potential Health Effects: Skin Corrosion Property / Stimulativeness

Dust contact with skin may cause severe skin burns and eye damage.

Potential Health Effects: Eye Critical Damage / Stimulativeness

Dust contact with eyes may cause severe eye damage.

Potential Health Effects: Ingestion

Not an expected route of entry under normal product use conditions.

Potential Health Effects: Inhalation

Inhalation of powders may cause nervous system irregularities including headaches and dizziness.



Safety Data Sheet

Product Name: Power Charges

Respiratory Organs Sensitization/Skin Sensitization

Inhalation of powders may cause an allergy or asthma symptoms or breathing difficulties if inhaled. May cause an allergic skin reaction.

Generative Cell Mutagenicity

This product is not reported to have any mutagenic effects.

Carcinogenicity

A: General Product Information

This product is not reported to have any carcinogenic effects.

B: Component Carcinogenicity

Reproductive Toxicity

This product is not reported to have any reproductive toxicity effects.

Specified Target Organ General Toxicity: Single Exposure

May cause respiratory irritation.

Specified Target Organ General Toxicity: Repeated Exposure

This product is not reported to have any specific target organ general toxicity repeat exposure effects.

Aspiration Respiratory Organs Hazard

This product is not reported to have any aspiration hazards.

* * * Section 12 – Ecological Information * * *

Ecotoxicity

A: General Product Information

No information available for the product.

B: Component Analysis - Ecotoxicity - Aquatic Toxicity

Potassium Nitrate (7757-79-1)

Test & Species

EC50 Daphnia 1

490 mg/L

Potassium Perchlorate (7778-74-7)

Test & Species

ErC50 (Algae)

11 mg/L

Persistence/Degradability

No information available for the product.

Bioaccumulation

No information available for the product.

Mobility in Soil

No information available for the product.

* * * Section 13 – Disposal Considerations * * *

Waste Disposal Instructions

See Section 7 for Handling Procedures. See Section 8 for Personal Protective Equipment recommendations.

Disposal of Contaminated Containers or Packaging

Dispose of contents/container in accordance with local, regional, national, and international regulations. Container may remain hazardous when empty. Continue to observe all precautions.



Safety Data Sheet

Product Name: Power Charges

*** Section 14 – Transportation Information ***

US DOT Information

Shipping Name: Cartridges, Oil well

UN #: 0278 Hazard Class: 1.4C

*** Section 15 – Regulatory Information ***

US Federal Regulations

A: Component Analysis

| Component | CAS | SARA Section 313 (40 CFR 372.65) |
|-----------|-----------|-------------------------------------|
| Aluminum | 7429-90-5 | 1% (dust or fume only) |

B: Component Marine Pollutants

None of the components in this article contain chemicals required by US DOT to be identified as marine pollutants.

State Regulations

Component Analysis - State

The following components appear on one or more of the following state hazardous substances lists:

| Component | CAS | CA | MA | MN | NJ | PA | RI |
|-----------------------|-----------|-----|-----|-----|-----|-----|-----|
| Potassium Nitrate | 7757-79-1 | No | Yes | No | Yes | Yes | Yes |
| Aluminum | 7429-90-5 | Yes | Yes | Yes | Yes | Yes | Yes |
| Potassium Perchlorate | 7778-74-7 | No | Yes | No | Yes | Yes | Yes |

The following statement(s) are provided under the California Safe Drinking Water and Toxic Enforcement Act of 1986 (Proposition 65):

WARNING! This product contains a chemical known to the state of California to cause cancer. WARNING! This product contains a chemical known to the state of California to cause reproductive/developmental effects.

Additional Regulatory Information

Component Analysis – Inventory

| Component | CAS # | TSCA | CAN | EEC |
|-----------------------|-----------|------|-----|--------|
| Potassium Nitrate | 7757-79-1 | Yes | DSL | EINECS |
| Aluminum | 7429-90-5 | Yes | DSL | EINECS |
| Potassium Perchlorate | 7778-74-7 | Yes | DSL | EINECS |

*** Section 16 – Other Information ***

Key/Legend

EPA = Environmental Protection Agency; TSCA = Toxic Substance Control Act; ACGIH = American Conference of Governmental Industrial Hygienists; IARC = International Agency for Research on Cancer; NIOSH = National Institute for Occupational Safety and Health; NTP = National Toxicology Program; OSHA = Occupational Safety and Health Administration., NJTSR = New Jersey Trade Secret Registry; EINECS = European Inventory of Existing Commercial Chemical Substances; DSL = Domestic Substances List (Canadian).

Literature References

None

End of Sheet



Fiche de données de sécurité

Nom du produit : Power Charges

*** Section 1 – Identification du produit et de la société ***

Informations sur le fabricant

Hunting Titan
143 HCR 4361
Milford, TX 76670
Téléphone : 972-493-2580

Hunting Energy Services
Level 25, 108 St. Georges Terrace
Perth, WA 6000
Téléphone : 0428 877 632

Numéro d'urgence Chemtrec : 800-424-9300

Numéro d'urgence international Chemtrec :

| | | | |
|--------------------|---------------------------------------------|---------------------|-------------------------------------------------|
| Argentina | 54-1159839431 | Mexico | 800-681-9531 (Toll Free) |
| Australia | 61-290372994 | Netherlands | 31-858880596 |
| Brazil | 55-2139581449 0800 892 0479 (Toll Free) | New Zealand | 64-98010034 |
| Chile | 56 2 2581 4934 | Nigeria | 234 1 227 8883 |
| China | 4001-204937 | Peru | 51-17071295 |
| Colombia | 01800-710-2151 (Toll Free) | Philippines | +63 2 8395 3308 1-800-1-116-1020 (Toll Free) |
| Costa Rica | 506-40003869 | Poland | 48-223988029 |
| Czech Republic | 420-228880039 | Romania | 40-37-6300026 |
| Denmark | 45-69918573 | Russia | 8-800-100-6346 (Toll Free) |
| Dominican Republic | 1 (829) 956-7588 | Saudi Arabia | 966-8111095861 |
| France | 33-975181407 | Singapore | 65-31581349 800-101-2201 (Toll Free) |
| Germany | 49-69643508409 0800-181-7059 (Toll Free) | South Africa | 0-800-983-611 (Toll Free) |
| India | 000-800-100-7141 (Toll Free) | Thailand | 001-800-13-203-9987 (Toll Free) |
| Indonesia | 001-803-017-9114 (Toll Free) | Trinidad and Tobago | 1-868-224-5716 |
| Italy | 39-0245557031 800-789-767 (Toll Free) | Turkey | 90-212-7055340 |
| Japan | 81-345209637 | Ukraine | 380-947101374 |
| Malaysia | 60-392125794 1-800-815-308 (Toll Free) | United Kingdom | 44-870-8200418 44-2038073798 |



Fiche de données de sécurité

Nom du produit : Power Charges

*** Section 2 – Identification des dangers ***

Classification SGH :

Explosifs – Division 1.4

ÉLÉMENTS D'ÉTIQUETTE SGH

Symbole(s)



Mot de signalement

Attention

Déclaration sur les risques

Risque d'incendie ou de projection.

Déclaration de précautions

Prévention

Tenir à l'écart de la chaleur, des surfaces chaudes, des étincelles, des flammes nues et de toute autre source d'inflammation. Ne pas fumer.

Éviter les abrasions/les chocs/les impacts/les flammes/les frottements.

Se laver soigneusement les mains, les avant-bras et toutes autres surfaces exposées après manipulation.

Ne pas tenter de démonter.

Ne pas consommer de denrées alimentaires, de boissons ou de tabac dans un secteur où ils risquent d'être contaminés par ces produits. Se laver immédiatement et abondamment à l'eau et au savon après manipulation ou toute autre exposition.

Porter des gants de protection, des vêtements de protection et un dispositif de protection des yeux.

Intervention

Risque d'explosion en cas d'incendie. NE PAS combattre l'incendie lorsque le feu atteint les explosifs, évacuer la zone sur une distance d'au moins 1640 pieds (500 mètres).

Des vapeurs corrosives peuvent être produites par le feu.

Le nettoyage doit être effectué uniquement par du personnel spécialisé dans la manipulation des explosifs. Isoler la zone et enlever les sources d'impact, de frottement, de flamme, de chaleur.

Porter des lunettes de sécurité, des gants et un respirateur antipoussière (si l'endroit est poussiéreux). Nettoyer, balayer avec des équipements anti-étincelles.

Entreposage

Entreposer conformément aux lois locales, régionales, nationales et internationales.

Élimination

Éliminer le contenu/réceptacle conformément aux lois locales, régionales, nationales et internationales.

Autres dangers

PRÉVENTION DES ACCIDENTS LIÉS À L'UTILISATION D'EXPLOSIFS : la prévention des accidents lors de l'utilisation d'explosifs est le résultat d'une planification et d'une observation rigoureuses des bonnes pratiques connues. Il faut rappeler aux utilisateurs d'explosifs qu'ils ont affaire à une force puissante et que divers dispositifs et méthodes ont été mis au point pour les aider à contrôler cette force. Ils doivent se rendre compte que cette force, si elle est mal encadrée, peut les tuer ou les blesser, eux et leurs collègues.



Fiche de données de sécurité

Nom du produit : Power Charges

ATTENTION : tous les explosifs sont dangereux et doivent être manipulés et utilisés avec précaution, conformément aux procédures de sécurité agréées, soit par des personnes compétentes et expérimentées, soit sous la direction de personnes compétentes et expérimentées, conformément à toutes les lois, réglementations ou ordonnances fédérales, étatiques et locales applicables. Si vous avez des questions ou des doutes sur la façon d'utiliser un produit explosif, NE L'UTILISEZ PAS avant d'avoir consulté votre superviseur ou le fabricant, si vous n'avez pas de supérieur. Si votre superviseur a des questions ou des doutes, il doit consulter le fabricant avant l'utilisation.

*** Section 3 – Composition / informations sur les composants ***

| Composant | No CAS | % |
|------------------------------|-----------|--------|
| Nitrate de potassium | 7757-79-1 | < 55 % |
| Aluminium | 7429-90-5 | < 10 % |
| Perchlorate de potassium | 7778-74-7 | < 5 % |
| Époxy (résine et durcisseur) | | < 60 % |

*** Section 4 – Premiers soins ***

Premiers soins : Yeux

Pour l'exposition à la poussière : Immédiatement rincer abondamment les yeux à l'eau pendant au moins 30 minutes. Enlever les lentilles de contact si la victime en porte et si elles peuvent être facilement enlevées. Continuer à rincer. Consulter immédiatement un médecin.

Premiers soins : Peau

Pour l'exposition à la poussière : Immédiatement rincer abondamment la peau à l'eau pendant au moins 30 minutes. Consulter immédiatement un médecin.

Premiers soins : Ingestion

Voie d'entrée improbable dans des conditions normales de manipulation du produit.

Premiers soins : Inhalation

Pour l'exposition à la poussière ou aux fumées : Transporter la victime à l'air frais et la maintenir au repos dans une position où elle peut confortablement respirer. Appeler immédiatement un centre antipoison, un médecin ou un service médical d'urgence. En utilisant la protection respiratoire adéquate, transporter immédiatement la victime à l'air frais. Encourager la personne exposée à tousser, cracher et se moucher pour éliminer la poussière.

*** Section 5 – Mesures de lutte contre l'incendie ***

Risques généraux d'incendie

Voir les propriétés d'inflammabilité à la Section 9.
Peut déflager en cas d'impact, de flamme ou de chaleur. Des éclats dangereux sont projetés par la détonation/déflagration. Risque d'explosion en cas d'incendie.
Explosif, peut provoquer un incendie et des explosions secondaires. Peut aggraver un incendie.
Explosifs, division 1.4 – Explosifs (sans danger de souffle notable). La chaleur peut augmenter la pression, la rupture des récipients fermés, la propagation du feu et un risque accru de brûlures et de blessures.
Danger d'incendie ou de projection.

Produits de combustion dangereux

Des vapeurs corrosives peuvent être produites par le feu.

Moyens d'extinction

Aucune

Moyens d'extinction inappropriés

Aucune



Fiche de données de sécurité

Nom du produit : Power Charges

Instructions/équipement de lutte contre les incendies

NE COMBATTEZ PAS LES INCENDIES ! RISQUE D'EXPLOSION ! Isoler la zone. Évacuer la zone sur une distance d'au moins 1640 pieds (500 mètres). Prévenir la réentrée dans la zone. La décomposition thermique peut entraîner la libération de gaz et de vapeurs irritantes.

Pour plus de détails, consulter le Guide des interventions d'urgence publié par le Département des transports des États-Unis (Department of Transportation, D.O.T.) ou le personnel local d'intervention d'urgence.

*** Section 6 – Mesures à prendre en cas de déversement accidentel ***

Récupération et neutralisation

Aucune

Matériaux et méthodes de nettoyage

Le nettoyage doit être effectué uniquement par du personnel spécialisé dans la manipulation des explosifs. Isoler la zone et enlever les sources d'impact, de frottement, de flamme, de chaleur. Nettoyer, balayer avec des équipements anti-étincelles. Éviter de produire de la poussière. Éviter tout contact avec les yeux, la peau ou les vêtements. Ne pas respirer les poussières ou les fumées.

Mesures en cas d'urgence

Isoler la zone. Éloigner le personnel non indispensable.

Précautions personnelles et équipement de protection

Porter des lunettes de sécurité, des gants et un respirateur antipoussière (si l'endroit est poussiéreux).

Précautions environnementales

Éviter le rejet dans l'environnement.

Prévention de risque secondaires

Aucune

*** Section 7 – Manutention et stockage ***

Procédures de manipulation

Tenir à l'écart des impacts, des frottements, des flammes ou de la chaleur. Ne pas tenter de démonter. Ne pas consommer de denrées alimentaires, de boissons ou de tabac dans un secteur où ils risquent d'être contaminés par ces produits. Se laver immédiatement et abondamment à l'eau et au savon après manipulation ou toute autre exposition.

Procédures d'entreposage

Stocker conformément aux exigences de sécurité locales et réglementaires.

Incompatibilités

Acides forts, bases fortes et oxydants forts.

*** Section 8 – Contrôles de l'exposition/protection individuelle ***

Limites d'exposition des composants

Aluminium (7429-90-5)

ACGIH : 1 mg/m³ MPT (matière particulaire respirable)

OSHA : 15 mg/m³ MPT (poussière totale) ; 5 mg/m³ MPT (fraction respirable)

NIOSH : 10 mg/m³ MPT (poussière totale) ; 5 mg/m³ MPT (fraction respirable)

Mesures d'ingénierie

Non requis dans des conditions d'utilisation normales.

Équipement de protection individuelle : Voies respiratoires

Non requis dans des conditions d'utilisation normales.

Équipement de protection individuelle : Mains

Non requis dans des conditions d'utilisation normales.

Porter des gants de protection pour manipuler le contenu des unités endommagées ou non étanches.



Fiche de données de sécurité

Nom du produit : Power Charges

Équipement de protection individuelle : Yeux

Lunettes de sécurité recommandées.

Équipement de protection individuelle : Corps et peau

Vêtements de protection pour le travail.

*** Section 9 – Propriétés physiques et chimiques ***

| | | | |
|-------------------------------------|-----------------------------------------------------------------------|----------------------------------------|--------------------|
| État physique : | Solide | Odeur : | Aucune |
| Taux d'évaporation : | Absence de données | Seuil olfactif : | Absence de données |
| Point de fusion : | Absence de données | pH : | Absence de données |
| Point de congélation : | Absence de données | Inflammabilité (solide, gaz) : | Absence de données |
| Point d'ébullition : | Absence de données | Pression de vapeur : | Absence de données |
| Point d'éclair : | Absence de données | Densité de vapeur relative à 20 °C : | Absence de données |
| Température d'auto-inflammabilité : | Absence de données | Densité relative : | Absence de données |
| Température de décomposition : | Absence de données | Solubilité (H ₂ O) : | Absence de données |
| Viscosité : | Absence de données | Coefficient octanol/H ₂ O : | Absence de données |
| Propriétés explosives : | Explosifs, division 1.4 – Explosifs (sans danger de souffle notable). | | |
| Propriétés comburantes : | Peut aggraver un incendie. | | |

*** Section 10 – Informations sur la stabilité chimique et la réactivité ***

Stabilité chimique

Matériau stable dans des conditions normales d'utilisation.

Possibilité de réaction dangereuse

Peut exploser en cas de choc, d'impact, de frottement, de chaleur ou de manipulation brutale.

Conditions à éviter

Tenir à l'écart de la lumière directe du soleil, des températures extrêmes, des étincelles, de la chaleur, des sources d'inflammation et des matières combustibles.

Éviter l'accumulation de poussière pour réduire les dangers d'explosion.

Conserver à l'écart des agents oxydants.

Produits incompatibles

Acides forts, bases fortes et oxydants forts.

Produits de décomposition dangereux

La décomposition thermique génère des vapeurs corrosives.

*** Section 11 – Données toxicologiques ***

Toxicité aiguë

A : Informations générales sur le produit

Power charges ne présente pas de danger pour la santé en cas de manipulation et d'utilisation normales.

Toutefois, il s'agit d'un produit explosif dont la déflagration ou détonation peut causer des blessures graves voire mortelles.

B : Analyse des composants – DL50/CL50

Nitrate de potassium (7757-79-1)

DL50 orale chez le rat 3 015 mg/kg ; DL50 dermique chez le rat > 5 000 mg/kg

Répercussions potentielles sur la santé : Corrosion cutanée/stimulation

Le contact des poussières avec la peau provoque des brûlures de la peau et des lésions oculaires graves



Fiche de données de sécurité

Nom du produit : Power Charges

Répercussions potentielles sur la santé : **Dommage oculaire/stimulation**

Le contact des poussières avec les yeux peut causer des dommages oculaires graves.

Répercussions potentielles sur la santé : **Ingestion**

Voie d'entrée improbable dans des conditions normales d'utilisation.

Répercussions potentielles sur la santé : **Inhalation**

Peut provoquer des troubles du système nerveux dont des maux de tête et des vertiges en cas d'inhalation des poudres.

Sensibilisation des organes respiratoires/sensibilisation de la peau

Peut provoquer des symptômes d'allergie ou d'asthme ou des difficultés respiratoires en cas d'inhalation des poudres. Peut provoquer une allergie cutanée.

Mutagénicité des cellules reproductrices

Ce produit n'est pas signalé comme ayant des effets mutagènes.

Cancérogénicité

A : Informations générales sur le produit

Ce produit n'est pas signalé comme ayant des effets cancérigènes.

B : Cancérogénicité des composants

Reprotoxicité

Ce produit n'est pas signalé comme ayant des effets toxiques sur l'appareil reproducteur.

Toxicité spécifique pour certains organes cibles : **Exposition unique**

Peut irriter les voies respiratoires.

Toxicité spécifique pour certains organes cibles **Exposition répétée**

Aucun effet de toxicité générale sur des organismes cibles spécifiques suite à une exposition répétée n'est signalé pour ce produit.

Risques d'absorption par aspiration

Aucun danger d'aspiration n'est signalé pour ce produit.

* * * Section 12 – Données écologiques * * *

Écotoxicité

A : informations générales sur le produit

Aucune information disponible pour le produit.

B : Analyse des composants – Écotoxicité – Toxicité aquatique

Nitrate de potassium (7757-79-1)

Test et espèces

CE50 Daphnia 1

490 mg/l

Perchlorate de potassium (7778-74-7)

Test et espèces

ErC50 (algue)

11 mg/l

Persistance/Dégradabilité

Aucune information disponible pour le produit.

Bioaccumulation

Aucune information disponible pour le produit.

Mobilité dans le sol

Aucune information disponible pour le produit.



Fiche de données de sécurité

Nom du produit : Power Charges

*** Section 13 – Élimination ***

Instructions relatives à l'élimination des déchets

Voir les procédures de manipulation à la Section 7. Voir les recommandations relatives aux équipements de protection individuelle à la Section 8.

Élimination des contenants ou emballages contaminés

Éliminer le contenu/réceptacle conformément aux réglementations locales, régionales, nationales et internationales. Le réceptacle peut demeurer dangereux même lorsqu'il est vide. Continuer à se conformer à toutes les précautions.

*** Section 14 – Informations relatives au transport ***

Information sur le Département des Transports des États-Unis

Nom d'expédition : Cartouches, puits de pétrole

No UN : 0278 Classe de risque : 1.4C

*** Section 15 – Informations réglementaires ***

Réglementation fédérale des États-Unis

A : Analyse des composants

| Composant | No CAS | SARA Section 313 (40 CFR 372.65) |
|-----------|-----------|-------------------------------------|
| Aluminium | 7429-90-5 | 1 % (poussière ou fumée uniquement) |

B : Composant de polluants marins

Aucun des composants de cet article ne contient de produits chimiques que le Département des transports des États-Unis considère comme polluants marins.

Réglementations des États

Analyse des composants – État

Les composants suivants figurent sur une ou plusieurs des listes de substances dangereuses suivantes :

| Composant | No CAS | CA | MA | MN | NJ | PA | RI |
|--------------------------|-----------|--------|-----|--------|-----|-----|-----|
| Nitrate de potassium | 7757-79-1 | Aucune | Oui | Aucune | Oui | Oui | Oui |
| Aluminium | 7429-90-5 | Oui | Oui | Oui | Oui | Oui | Oui |
| Perchlorate de potassium | 7778-74-7 | Aucune | Oui | Aucune | Oui | Oui | Oui |

La ou les déclarations suivantes sont fournies en vertu du décret d'application de 1986 sur la Sécurité de l'eau potable et les substances toxiques (Proposition 65) de la Californie :

ATTENTION ! Ce produit contient un agent chimique reconnu par l'État de Californie comme pouvant causer le cancer. ATTENTION ! Ce produit contient un agent chimique reconnu par l'État de Californie comme pouvant causer des troubles de la reproduction et du développement.

Informations réglementaires supplémentaires

Analyse des composants - Inventaire

| Composant | No CAS | TSCA | CAN | CEE |
|--------------------------|-----------|------|-----|--------|
| Nitrate de potassium | 7757-79-1 | Oui | LIS | EINECS |
| Aluminium | 7429-90-5 | Oui | LIS | EINECS |
| Perchlorate de potassium | 7778-74-7 | Oui | LIS | EINECS |



Fiche de données de sécurité

Nom du produit : Power Charges

| |
|-----------------------------------------------------|
| * * * Section 16 – Autres informations * * * |
|-----------------------------------------------------|

Légende

EPA = Environmental Protection Agency (Agence américaine de protection de l'environnement) ; TSCA = Toxic Substance Control Act (Loi relative au contrôle des substances toxiques) ; ACGIH = American Conference of Governmental Industrial Hygienists (Conférence américaine des hygiénistes industriels gouvernementaux) ; IARC = International Agency for Research on Cancer (Centre international de recherche sur le cancer) ; NIOSH = National Institute for Occupational Safety and Health (Institut national pour la sécurité et la santé au travail) ; NTP = National Toxicology Program (Programme national de toxicologie) ; OSHA = Occupational Safety and Health Administration (Administration de l'hygiène et de la médecine du travail) ; NJTSR = New Jersey Trade Secret Registry (Registre des secrets industriels du New Jersey) ; EINECS = European Inventory of Existing Commercial Chemical Substances (Inventaire européen des substances chimiques commerciales existantes) ; DSL = Domestic Substances List (Liste intérieure des substances) (Canada).

Références

Aucune

Fin de la fiche



Hoja de Datos de Seguridad

Nombre del producto: cargadores (power charges)

*** Sección 1 – Identificación del Producto y la Compañía ***

Información del fabricante

Hunting Titan
143 HCR 4361
Milford, TX 76670
Teléfono: 972-493-2580

Hunting Energy Services
Level 25, 108 St. Georges Terrace
Perth, WA 6000
Teléfono: 0428 877 632

Número de emergencia de Chemtrec 800-424-9300

Número internacional de emergencia de Chemtrec:

| | | | |
|--------------------|---------------------------------------------|---------------------|-------------------------------------------------|
| Argentina | 54-1159839431 | Mexico | 800-681-9531 (Toll Free) |
| Australia | 61-290372994 | Netherlands | 31-858880596 |
| Brazil | 55-2139581449 0800 892 0479 (Toll Free) | New Zealand | 64-98010034 |
| Chile | 56 2 2581 4934 | Nigeria | 234 1 227 8883 |
| China | 4001-204937 | Peru | 51-17071295 |
| Colombia | 01800-710-2151 (Toll Free) | Philippines | +63 2 8395 3308 1-800-1-116-1020 (Toll Free) |
| Costa Rica | 506-40003869 | Poland | 48-223988029 |
| Czech Republic | 420-228880039 | Romania | 40-37-6300026 |
| Denmark | 45-69918573 | Russia | 8-800-100-6346 (Toll Free) |
| Dominican Republic | 1 (829) 956-7588 | Saudi Arabia | 966-8111095861 |
| France | 33-975181407 | Singapore | 65-31581349 800-101-2201 (Toll Free) |
| Germany | 49-69643508409 0800-181-7059 (Toll Free) | South Africa | 0-800-983-611 (Toll Free) |
| India | 000-800-100-7141 (Toll Free) | Thailand | 001-800-13-203-9987 (Toll Free) |
| Indonesia | 001-803-017-9114 (Toll Free) | Trinidad and Tobago | 1-868-224-5716 |
| Italy | 39-0245557031 800-789-767 (Toll Free) | Turkey | 90-212-7055340 |
| Japan | 81-345209637 | Ukraine | 380-947101374 |
| Malaysia | 60-392125794 1-800-815-308 (Toll Free) | United Kingdom | 44-870-8200418 44-2038073798 |



Hoja de Datos de Seguridad

Nombre del producto: cargadores (power charges)

*** Sección 2 – Identificación de Riesgos ***

Clasificación GHS:

Explosivos: división 1.4

ELEMENTOS DE LA ETIQUETA GHS

Signo(s)



Palabra de Señalización

Atención

Declaraciones de Riesgos

Riesgo de incendio o explosión.

Declaraciones de Precaución

Prevención

Mantener alejado del calor, de superficies calientes, de chispas, de llamas abiertas y de cualquier otra fuente de ignición. No fumar.

No moler ni someter a choque/impacto/llama/calor/fricción.

Lavarse a fondo las manos, los antebrazos y otras zonas expuestas tras la manipulación.

No intentar desmontar.

No consumir alimento, bebidas ni tabaco en una zona donde puedan contaminarse con estos materiales. Tras su manipulación u otra exposición, lavarse inmediatamente y con cuidado con agua y jabón.

Llevar guantes, prendas y gafas de protección.

Respuesta

Riesgo de explosión en caso de incendio. NO trate de extinguir el fuego cuando llegue a los explosivos; evacue el área a por lo menos 1,640 pies (500 metros).

Pueden producirse vapores corrosivos en un incendio.

La limpieza debe ser efectuada solamente por personal con experiencia en el manejo de explosivos. Aísle el área y retire las fuentes de impacto, fricción, flama, calor.

Use lentes de seguridad, guantes y respirador contra polvo (si hay polvo en el área). Limpieza: barrer usando herramientas que no produzcan chispas.

Almacenamiento

Almacenar conforme a los reglamentos locales, regionales, nacionales e internacionales.

Disposición

Disponer de contenido o recipiente conforme a los reglamentos locales, regionales, nacionales e internacionales.

Otros peligros

PREVENCIÓN DE ACCIDENTES EN EL USO DE EXPLOSIVOS: la prevención de accidentes en el uso de explosivos es el resultado de una planificación cuidadosa y de seguir las mejores prácticas conocidas. El usuario de explosivos debe recordar que trata con una fuerza poderosa y que se han desarrollado varios dispositivos y métodos para ayudarles a dirigir esta fuerza. Debería darse cuenta de que esta fuerza, si se dirige mal, puede matarle o herirle, así como a sus compañeros de trabajo.



Hoja de Datos de Seguridad

Nombre del producto: cargadores (power charges)

ATENCIÓN: todos los explosivos son peligrosos y deben manipularse y usarse con cuidado siguiendo los procedimientos de seguridad aprobados por o bajo la dirección de personas competentes y experimentadas, de acuerdo con todas las leyes, normativas u ordenanzas federales, estatales y locales aplicables. Si tiene alguna pregunta o duda sobre cómo usar un producto explosivo, NO LO USE antes de hablar con su supervisor, o el fabricante, si no tiene asignado un supervisor. Si su supervisor tiene alguna pregunta o duda, debería consultarla con el fabricante antes del uso.

*** Sección 3 – Composición / Información sobre Ingredientes ***

| Componente | # CAS | % |
|------------------------------|-----------|--------|
| Nitrato de potasio | 7757-79-1 | < 55 % |
| Aluminio | 7429-90-5 | < 10 % |
| Perclorato de potasio | 7778-74-7 | < 5 % |
| Epoxi (resina y endurecedor) | | < 60 % |

*** Sección 4 - Medidas de Primeros Auxilios ***

Primeros Auxilios: Ojos

Para la exposición al polvo: Lavar inmediatamente los ojos con abundante agua durante al menos 30 minutos. Quitar las lentes de contacto, si lleva y resulta fácil. Seguir aclarando. Consultar a un médico inmediatamente.

Primeros Auxilios: Piel

Para la exposición al polvo: Lavar inmediatamente la piel con abundante agua durante al menos 30 minutos. Consultar a un médico inmediatamente.

Primeros Auxilios: Ingestión

En condiciones normales de manipulación del producto, no es una vía de entrada prevista.

Primeros Auxilios: Inhalación

Para la exposición al polvo o humo: Mover a la víctima a un espacio abierto y dejarla descansar en una posición que le permita respirar con comodidad. Llamar inmediatamente a un centro de toxicología, a un médico o a los servicios médicos de urgencias. Utilizando la protección respiratoria adecuada, trasladar inmediatamente a la persona expuesta al aire libre. Pedir a la persona afectada que tosa, escupa y se suene la nariz para eliminar el polvo.

*** Sección 5 – Medidas de Extinción de Incendios ***

Riesgos Generales de Incendios

Vea la Sección 9 para conocer las Propiedades de inflamabilidad.

Puede producirse una deflagración por un impacto, una llama o el calor. La detonación / deflagración crea fragmentos peligrosos. Riesgo de explosión en caso de incendio.

Explosivo, podría provocar un incendio y explosiones secundarias. Puede agravar un incendio.

Explosivos, división 1.4: explosivos (sin peligro de explosión importante). El calor podría causar un aumento de la presión, creando fugas en los contenedores cerrados, extendiendo el fuego y aumentando el riesgo de quemaduras y lesiones.

Peligro de incendio o de proyección.

Productos Peligrosos de su Combustión

Pueden producirse vapores corrosivos en un incendio.

Medios de Extinción

Ninguno

Medios de Extinción no Adecuados

Ninguno



Hoja de Datos de Seguridad

Nombre del producto: cargadores (power charges)

Equipo Contra Incendio/Instrucciones

¡NO TRATE DE EXTINGUIR LOS INCENDIOS! ¡PUEDE OCURRIR UNA EXPLOSIÓN! Aislar el área. Evacuar el área por lo menos a 1,500 pies (460 metros). Impedir la reentrada. Una descomposición térmica puede producir la expulsión de vapores y gases irritantes.

Consultar la Guía de respuesta a emergencias D.O.T. de los EE. UU. o al personal de emergencia local para obtener más información.

*** Sección 6 – Medidas por Liberación Accidental ***

Recuperación y Neutralización

Ninguno

Materiales y Métodos de Limpieza

Solo puede limpiar el personal con experiencia en manipulación de explosivos. Aislar la zona y eliminar las fuentes de impacto, fricción, llama y calor. Limpiar; barrer con herramientas que no suelten chispas. Evitar generar polvo. Evitar el contacto con los ojos, la piel o la ropa. No respirar el polvo o los humos.

Medidas de Emergencia

Aislar la zona. Mantener alejado a todo el personal que no sea necesario.

Precauciones Personales y Equipo de Protección

Llevar gafas y guantes de protección y mascarilla antipolvo (si hay polvo en la zona).

Precauciones Ambientales

Evitar su liberación al medio ambiente.

Prevención de Riesgos Secundarios

Ninguna

*** Sección 7 – Manejo y Almacenamiento ***

Procedimientos de Manejo

Alejar del impacto, la fricción, la llama o el calor. No intentar desmontar. No consumir alimentos, bebidas ni tabaco en una zona donde se puedan contaminar con estos materiales. Tras su manipulación u otra exposición, lavarse inmediatamente y con cuidado con agua y jabón.

Procedimientos de Almacenamiento

Almacenar conforme a los requisitos de seguridad y reglamentarios locales.

Incompatibilidades

Ácidos fuertes, bases fuertes y muy comburentes.

*** Sección 8 - Controles de Exposición / Protección Individual ***

Límites de Exposición del Componente

Aluminio (7429-90-5)

ACGIH: 1 mg/m³ TWA (partículas respirables)

OSHA: 15 mg/m³ TWA (polvo total); 5 mg/m³ TWA (fracción respirable)

NIOSH: 10 mg/m³ TWA (polvo total); 5 mg/m³ TWA (polvo respirable)

Medidas de Ingeniería

No se necesitan en condiciones normales de manipulación del producto.

Equipo de Protección Personal: Respiratorio

No se necesitan en condiciones normales de manipulación del producto.

Equipo de Protección Personal: Manos

No se necesitan en condiciones normales de manipulación del producto.

Llevar guantes de protección para manipular contenidos de unidades dañadas o con fugas.

Equipo de Protección Personal: Ojos

Se recomiendan gafas de seguridad.



Hoja de Datos de Seguridad

Nombre del producto: cargadores (power charges)

Equipo de Protección Personal: Piel y Cuerpo

Ropa de trabajo de protección.

*** Sección 9 – Propiedades Físicas y Químicas ***

| | | | |
|--------------------------------|-----------------------------------------------------------------------------|-------------------------------------|---------|
| Estado Físico: | Sólido | Olor: | Ninguno |
| Tasa de Evaporación: | ND | Umbral Olfativo: | ND |
| Punto de Fusión: | ND | pH: | ND |
| Punto de Congelación: | ND | Inflamabilidad (sólido, gas): | ND |
| Punto de Ebullición: | ND | Presión de Vapor: | ND |
| Punto de Inflamación: | ND | Densidad de Vapor Relativa a 20 °C: | ND |
| Temperatura de Autoignición: | ND | Densidad Relativa: | ND |
| Temperatura de Descomposición: | ND | Solubilidad (H2O): | ND |
| Viscosidad: | ND | Coefficiente Octanol/H2O: | ND |
| Propiedades Explosivas: | Explosivos, división 1.4: explosivos (sin peligro de explosión importante). | | |
| Propiedades Comburentes: | Puede agravar un incendio. | | |

*** Sección 10 – Información de Estabilidad Química y Reactividad ***

Estabilidad Química

Este material es estable en condiciones normales.

Potencial Peligrosa Potencial

Puede explotar si se le somete a choques, impactos, fricción, calor o una manipulación brusca.

Condiciones a Evitar

Mantener el producto lejos de la luz solar directa, temperaturas extremas, chispas, calor, fuentes de ignición y materiales incompatibles.

Evitar acumulación de polvo para minimizar el riesgo de explosión.

Almacenar lejos de agentes comburentes.

Productos Incompatibles

Ácidos fuertes, bases fuertes y muy comburentes.

Productos Peligrosos de su Descomposición

La descomposición térmica genera vapores corrosivos.

*** Sección 11 – Información Toxicológica ***

Toxicidad Aguda

A: Información General del Producto

Las cargas potentes no presentan un peligro para la salud durante una manipulación y un uso normales. Sin embargo, este es un producto explosivo y una deflagración o detonación puede provocar heridas físicas graves, incluso la muerte.

B: Análisis de Componentes – LD50/LC50

Nitrato de potasio (7757-79-1)

LD50 oral en ratas 3015 mg/kg; LD50 cutánea en ratas >5000 mg/kg

Efectos Potenciales en la Salud: Propiedad de Corrosión / Hipersensibilidad de la Piel

El contacto con el polvo puede provocar quemaduras graves en la piel y lesiones oculares graves.

Efectos Potenciales en la Salud: Daños Críticos / Hipersensibilidad en Ojos

El contacto del polvo con los ojos puede provocar graves daños oculares.



Hoja de Datos de Seguridad

Nombre del producto: cargadores (power charges)

Efectos Potenciales en la Salud: Ingestión

No es una vía de entrada prevista en condiciones normales de uso del producto.

Efectos Potenciales en la Salud: Inhalación

La inhalación de los polvos puede provocar irregularidades en el sistema nervioso, lo que incluye dolores de cabeza y mareos.

Sensibilización de Órganos Respiratorios / Piel

La inhalación de polvos puede provocar síntomas de asma o alergia, o dificultad para respirar si se inhala. Puede provocar una reacción alérgica en la piel.

Mutagenicidad en Células Generativas

No se han notificado efectos mutagénicos.

Efecto Cancerígeno

A: Información General del Producto

No se han notificado efectos cancerígenos.

B: Efecto Cancerígeno del Componente

Toxicidad Reproductiva

No se han notificado efectos de toxicidad para la reproducción en este producto.

Toxicidad General en Órganos Objetivo Especificados: Exposición única

Puede irritar las vías respiratorias.

Toxicidad General en Órganos Objetivo Especificados: Exposición repetida

No se han notificado efectos de toxicidad general específica en determinados órganos con exposición repetida.

Riesgo a los Órganos Respiratorios por Aspiración

No se han notificado peligros por aspiración.

* * * Sección 12 – Información Ecológica * * *

Ecotoxicidad

A: Información General del Producto

No hay información disponible para el producto.

B: Análisis de Componentes – Ecotoxicidad – Toxicidad Acuática

Nitrato de potasio (7757-79-1)

Prueba y especies

EC50 en Daphnia 1

490 mg/l

Perclorato de potasio (7778-74-7)

Prueba y especies

CEr50 (algas)

11 mg/l

Persistencia/Degradabilidad

No hay información disponible para el producto.

Bioacumulación

No hay información disponible para el producto.

Movilidad en el Suelo

No hay información disponible para el producto.



Hoja de Datos de Seguridad

Nombre del producto: cargadores (power charges)

*** Sección 13 – Consideraciones para Eliminación ***

Instrucciones para disposición de Residuos

Vea la Sección 7 para conocer los Procedimientos de manipulación. Vea la Sección 8 para conocer el Equipo de protección individual recomendado.

Disposición de Recipientes o Envases Contaminados

Eliminar el contenido o el recipiente conforme a la normativa local, regional, nacional e internacional vigente. El contenedor puede seguir siendo peligroso incluso vacío. Continuar observando todas las precauciones.

*** Sección 14 – Información de Transporte ***

Información del Departamento de Transportes de los Estados Unidos (US DOT)

Nombre al embarcar: Cartuchos para pozo petrolífero

UN #: 0278 Clase de peligro: 1.4C

*** Sección 15 – Información Regulatoria ***

Reglamentos Federales de los Estados Unidos

A: Análisis de Componentes

| Componente | N.º CAS | SARA Sección 313 (40 CFR 372.65) |
|------------|-----------|-------------------------------------|
| Aluminio | 7429-90-5 | 1 % (solo polvo o humo) |

B: Componentes Contaminantes Marinos

Ninguno de los componentes de este artículo contiene sustancias químicas que el Departamento de transportes de los EE. UU. requiera identificar como contaminantes marinos.

Regulaciones Estatales

Análisis del Componente: Estado

Los siguientes componentes aparecen en una o más de las listas estatales de sustancias peligrosas:

| Componente | # CAS | CA | MA | MN | NJ | PA | RI |
|-----------------------|-----------|----|----|----|----|----|----|
| Nitrato de potasio | 7757-79-1 | No | Sí | No | Sí | Sí | Sí |
| Aluminio | 7429-90-5 | Sí | Sí | Sí | Sí | Sí | Sí |
| Perclorato de potasio | 7778-74-7 | No | Sí | No | Sí | Sí | Sí |

La(s) siguiente(s) declaración(es) se proporcionan siguiendo la Ley de cumplimiento de agua potable y sustancias tóxicas de California de 1986 (propuesta 65):

¡ATENCIÓN! Este producto contiene una sustancia química conocida en el estado de California como cancerígena. ¡ATENCIÓN! Este producto contiene una sustancia química conocida en el estado de California por afectar a la reproducción o al desarrollo.

Información Reglamentaria Adicional

Análisis de Componentes: Inventario

| Componente | # CAS | TSCA | CAN | EEC |
|-----------------------|-----------|------|-----|--------|
| Nitrato de potasio | 7757-79-1 | Sí | DSL | EINECS |
| Aluminio | 7429-90-5 | Sí | DSL | EINECS |
| Perclorato de potasio | 7778-74-7 | Sí | DSL | EINECS |



Hoja de Datos de Seguridad

Nombre del producto: cargadores (power charges)

| |
|----------------------------------------------|
| *** Sección 16 – Otra Información *** |
|----------------------------------------------|

Claves/Leyendas

EPA = Agencia de Protección Ambiental (Environmental Protection Agency); TSCA = Ley de Control de Sustancias Tóxicas (Toxic Substance Control Act); ACGIH = Conferencia Americana de Higienistas Industriales (American Conference of Governmental Industrial Hygienists); IARC = Agencia Internacional para la Investigación sobre Cáncer (International Agency for Research on Cancer); NIOSH = Instituto Nacional para la Seguridad y Salud Ocupacional (National Institute for Occupational Safety and Health); NTP = Programa Nacional de Toxicología (National Toxicology Program); OSHA = Administración para la Seguridad y Salud Ocupacional (Occupational Safety and Health Administration), NJTSR = Registro de Secreto Comercial de Nueva Jersey (New Jersey Trade Secret Registry); EINECS = Inventario Europeo de Sustancias Químicas Comerciales Existentes (European Inventory of Existing Commercial Chemical Substances); DSL = Lista de Sustancias Nacionales de Canadá (Domestic Substances List).

Referencias de Literatura

Ninguna

Fin de Hoja



Safety Data Sheet

Product Name: PowerSet Power Charges

| |
|---------------------------------------------------------------|
| *** Section 1 – Product and Company Identification *** |
|---------------------------------------------------------------|

Manufacturer Information

Hunting Titan
143 HCR 4361
Milford, TX 76670
Phone: 972-493-2580

Hunting Energy Services
Level 25, 108 St. Georges Terrace
Perth, WA 6000
Phone: 0428 877 632

Chemtrec Emergency #: 800-424-9300

International Chemtrec Emergency #:

| | | | |
|--------------------|---------------------------------------------|---------------------|-------------------------------------------------|
| Argentina | 54-1159839431 | Mexico | 800-681-9531 (Toll Free) |
| Australia | 61-290372994 | Netherlands | 31-858880596 |
| Brazil | 55-2139581449 0800 892 0479 (Toll Free) | New Zealand | 64-98010034 |
| Chile | 56 2 2581 4934 | Nigeria | 234 1 227 8883 |
| China | 4001-204937 | Peru | 51-17071295 |
| Colombia | 01800-710-2151 (Toll Free) | Philippines | +63 2 8395 3308 1-800-1-116-1020 (Toll Free) |
| Costa Rica | 506-40003869 | Poland | 48-223988029 |
| Czech Republic | 420-228880039 | Romania | 40-37-6300026 |
| Denmark | 45-69918573 | Russia | 8-800-100-6346 (Toll Free) |
| Dominican Republic | 1 (829) 956-7588 | Saudi Arabia | 966-8111095861 |
| France | 33-975181407 | Singapore | 65-31581349 800-101-2201 (Toll Free) |
| Germany | 49-69643508409 0800-181-7059 (Toll Free) | South Africa | 0-800-983-611 (Toll Free) |
| India | 000-800-100-7141 (Toll Free) | Thailand | 001-800-13-203-9987 (Toll Free) |
| Indonesia | 001-803-017-9114 (Toll Free) | Trinidad and Tobago | 1-868-224-5716 |
| Italy | 39-0245557031 800-789-767 (Toll Free) | Turkey | 90-212-7055340 |
| Japan | 81-345209637 | Ukraine | 380-947101374 |
| Malaysia | 60-392125794 1-800-815-308 (Toll Free) | United Kingdom | 44-870-8200418 44-2038073798 |



Safety Data Sheet

Product Name: PowerSet Power Charges

*** Section 2 – Hazards Identification ***

GHS Classification:

Explosives - Division 1.4

GHS LABEL ELEMENTS

Symbol(s)



Signal Word

Warning

Hazard Statements

Fire or projection hazard.

Precautionary Statements

Prevention

Keep away from heat, hot surfaces, sparks, open flames and other ignition sources. No smoking.

Do not subject to grinding/shock/impact/flame/heat/friction.

Wash hands, forearms, and other exposed areas thoroughly after handling.

Do not attempt to disassemble.

Do not consume food, drink or tobacco in area where they may become contaminated with these materials. After handling or other exposure, immediately wash thoroughly with soap and water.

Wear protective gloves, protective clothing, and eye protection.

Response

Explosion risk in case of fire. DO NOT fight fire when fire reaches explosives; evacuate area for at least 1640 ft. (500 meters).

Corrosive vapors may be produced in fire.

Clean up should be done only by personnel experienced in handling explosives. Isolate area and remove sources of impact, friction, flame, heat.

Wear safety glasses, gloves and dust respirator (if area is dusty). Clean up, sweep up with non-sparking tools.

Storage

Store in accordance with local, regional, national, and international regulations.

Disposal

Dispose of contents/container in accordance with local, regional, national, and international regulations.

Other Hazards

PREVENTION OF ACCIDENTS IN THE USE OF EXPLOSIVES – The prevention of accidents in the use of explosives is a result of careful planning and observance of the best known practices. The explosives user must remember that they are dealing with a powerful force and that various devices and methods have been developed to assist them in directing this force. They should realize that this force, if misdirected, may either kill or injure both themselves and their fellow workers.

WARNING – All explosives are dangerous and must be carefully handled and used following approved safety procedures either by or under the direction of competent, experienced persons in accordance with all applicable federal, state, and local laws, regulations, or ordinances. If you have any questions or doubts as to how to use any explosive product, DO NOT USE IT before consulting with your supervisor, or the manufacturer, if you do not have a supervisor. If your supervisor has any questions or doubts, they should consult the manufacturer before use.



Safety Data Sheet

Product Name: PowerSet Power Charges

*** Section 3 – Composition / Ingredient Information ***

| Component | CAS # | % |
|----------------------------|-----------|-------|
| Potassium Nitrate | 7757-79-1 | < 67% |
| Aluminum | 7429-90-5 | < 20% |
| BKNO3 | | < 2% |
| Epoxy (Resin and Hardener) | | < 85% |

*** Section 4 – First Aid Measures ***

First Aid: Eyes

For dust exposure: Immediately flush eyes with plenty of water for at least 30 minutes. Remove contact lenses, if present and easy to do. Continue rinsing. Get immediate medical advice / attention.

First Aid: Skin

For dust exposure: Immediately flush skin with plenty of water for at least 30 minutes. Get immediate medical advice / attention.

First Aid: Ingestion

Not an expected route of entry under normal product handling conditions.

First Aid: Inhalation

For dust or fume exposure: Remove victim to fresh air and keep at rest in a position comfortable for breathing. Immediately call a poison center, physician, or emergency medical service. Using proper respiratory protection, move the exposed person to fresh air at once. Encourage exposed person to cough, spit out, and blow nose to remove dust.

*** Section 5 – Fire Fighting Measures ***

General Fire Hazards

See Section 9 for Flammability Properties.

May deflagrate with impact, flame or heat. Detonation / deflagration causes hazardous fragments. Explosion risk in event of fire.

Explosive, could cause fire and secondary explosions. May intensify fire.

Explosives, Division 1.4 – Explosives (with no significant blast hazard). Heat may build pressure, rupturing closed containers, spreading fire and increasing risk of burns and injuries.

Fire or projection hazard.

Hazardous Combustion Products

Corrosive vapors may be produced in fire.

Extinguishing Media

None

Unsuitable Extinguishing Media

None

Fire Fighting Equipment/Instructions

DO NOT FIGHT FIRES! EXPLOSION MAY OCCUR! Isolate area. Evacuate area for at least 1640 ft. (500 meters). Guard against re-entry. Thermal decomposition can lead to release of irritating gases and vapors. Consult U.S. D.O.T. Emergency Response Guide or local emergency response personnel for further details.

*** Section 6 – Accidental Release Measures ***

Recovery and Neutralization

None

Materials and Methods for Clean-Up

Clean up should be done only by personnel experienced in handling explosives. Isolate area and remove sources of impact, friction, flame, heat. Clean up; sweep up with non-sparking tools. Avoid generating dust. Do not get in eyes, on skin, or on clothing. Do not breathe dust or fumes.



Safety Data Sheet

Product Name: PowerSet Power Charges

Emergency Measures

Isolate area. Keep unnecessary personnel away.

Personal Precautions and Protective Equipment

Wear safety glasses, gloves and dust respirator (if area is dusty).

Environmental Precautions

Avoid release to the environment.

Prevention of Secondary Hazards

None

*** Section 7 – Handling and Storage ***

Handling Procedures

Keep away from impact, friction, flame, or heat. Do not attempt to disassemble. Do not consume food, drink, or tobacco in area where they may become contaminated with these materials. After handling or other exposure, immediately wash thoroughly with soap and water.

Storage Procedures

Store in accordance with local and safety and regulatory requirements.

Incompatibilities

Strong Acids, Strong Bases, and Strong Oxidizers.

*** Section 8 – Exposure Controls / Personal Protection ***

Component Exposure Limits

Aluminum (7429-90-5)

ACGIH: 1 mg/m³ TWA (respirable particulate matter)
OSHA: 15 mg/m³ TWA (total dust); 5mg/m³ TWA (respirable fraction)
NIOSH: 10 mg/m³ TWA (total dust); 5mg/m³ TWA (respirable dust)

Engineering Measures

Not required under normal product handling conditions.

Personal Protective Equipment: Respiratory

Not required under normal product handling conditions.

Personal Protective Equipment: Hands

Not required under normal product handling conditions.
Wear protective gloves to handle contents of damaged or leaking units.

Personal Protective Equipment: Eyes

Safety glasses recommended.

Personal Protective Equipment: Skin and Body

Protective work clothing.

*** Section 9 – Physical and Chemical Properties ***

| | | | |
|----------------------------|---------------------------------------------------------------------------|---------------------------------|------|
| Physical State: | Solid | Odor: | None |
| Evaporation Rate: | ND | Odor Threshold: | ND |
| Melting Point: | ND | pH: | ND |
| Freezing Point: | ND | Flammability (solid, gas): | ND |
| Boiling Point: | ND | Vapor Pressure: | ND |
| Flash Point: | ND | Relative Vapor Density at 20°C: | ND |
| Auto Ignition Temperature: | ND | Relative Density: | ND |
| Decomposition Temperature: | ND | Solubility (H2O): | ND |
| Viscosity: | ND | Octanol/H2O Coeff.: | ND |
| Explosive Properties: | Explosives, Division 1.4 – Explosives (with no significant blast hazard). | | |
| Oxidizing Properties: | May intensify fire. | | |



Safety Data Sheet

Product Name: PowerSet Power Charges

*** Section 10 – Chemical Stability and Reactivity Information ***

Chemical Stability

This is a stable material under normal conditions.

Hazardous Reaction Potential

May explode if subjected to shock, impact, friction, heat or rough handling.

Conditions to Avoid

Keep away from direct sunlight, extreme temperatures, sparks, heat, ignition sources, and combustible materials.

Avoid dust accumulation to minimize explosion hazard.

Store away from oxidizing agents.

Incompatible Products

Strong Acids, Strong Bases, and Strong Oxidizers.

Hazardous Decomposition Products

Thermal decomposition generates corrosive vapors.

*** Section 11 – Toxicological Information ***

Acute Toxicity

A: General Product Information

Power charges do not present a health hazard in normal handling and use. However this is an explosive product and deflagration or detonation may cause severe physical injury, including death.

B: Component Analysis – LD50/LC50

Potassium Nitrate (7757-79-1)

Oral LD50 Rat 3015 mg/kg; Dermal LD50 Rat >5000 mg/kg

Potential Health Effects: Skin Corrosion Property / Stimulativeness

Dust contact with skin may cause severe skin burns and eye damage.

Potential Health Effects: Eye Critical Damage / Stimulativeness

Dust contact with eyes may cause severe eye damage.

Potential Health Effects: Ingestion

Not an expected route of entry under normal product use conditions.

Potential Health Effects: Inhalation

Inhalation of powders may cause nervous system irregularities including headaches and dizziness.

Respiratory Organs Sensitization/Skin Sensitization

Inhalation of powders may cause an allergy or asthma symptoms or breathing difficulties if inhaled. May cause an allergic skin reaction.

Generative Cell Mutagenicity

This product is not reported to have any mutagenic effects.

Carcinogenicity

A: General Product Information

This product is not reported to have any carcinogenic effects.

B: Component Carcinogenicity

Reproductive Toxicity

This product is not reported to have any reproductive toxicity effects.

Specified Target Organ General Toxicity: Single Exposure

May cause respiratory irritation.

Specified Target Organ General Toxicity: Repeated Exposure

This product is not reported to have any specific target organ general toxicity repeat exposure effects.



Safety Data Sheet

Product Name: PowerSet Power Charges

Aspiration Respiratory Organs Hazard

This product is not reported to have any aspiration hazards.

*** Section 12 – Ecological Information ***

Ecotoxicity

A: General Product Information

No information available for the product.

B: Component Analysis - Ecotoxicity - Aquatic Toxicity

Potassium Nitrate (7757-79-1)

Test & Species

EC50 Daphnia 1

490 mg/L

Persistence/Degradability

No information available for the product.

Bioaccumulation

No information available for the product.

Mobility in Soil

No information available for the product.

*** Section 13 – Disposal Considerations ***

Waste Disposal Instructions

See Section 7 for Handling Procedures. See Section 8 for Personal Protective Equipment recommendations.

Disposal of Contaminated Containers or Packaging

Dispose of contents/container in accordance with local, regional, national, and international regulations. Container may remain hazardous when empty. Continue to observe all precautions.

*** Section 14 – Transportation Information ***

US DOT Information

Shipping Name: Cartridges, Oil well

UN #: 0278 **Hazard Class:** 1.4C

*** Section 15 – Regulatory Information ***

US Federal Regulations

A: Component Analysis

| Component | CAS | SARA Section 313 (40 CFR 372.65) |
|-----------|-----------|-------------------------------------|
| Aluminum | 7429-90-5 | 1% (dust or fume only) |

B: Component Marine Pollutants

None of the components in this article contain chemicals required by US DOT to be identified as marine pollutants.



Safety Data Sheet

Product Name: PowerSet Power Charges

State Regulations

Component Analysis - State

The following components appear on one or more of the following state hazardous substances lists:

| Component | CAS | CA | MA | MN | NJ | PA | RI |
|-------------------|-----------|-----|-----|-----|-----|-----|-----|
| Potassium Nitrate | 7757-79-1 | No | Yes | No | Yes | Yes | Yes |
| Aluminum | 7429-90-5 | Yes | Yes | Yes | Yes | Yes | Yes |

The following statement(s) are provided under the California Safe Drinking Water and Toxic Enforcement Act of 1986 (Proposition 65):

WARNING! This product contains a chemical known to the state of California to cause cancer. WARNING! This product contains a chemical known to the state of California to cause reproductive/developmental effects.

Additional Regulatory Information

Component Analysis – Inventory

| Component | CAS # | TSCA | CAN | EEC |
|-------------------|-----------|------|-----|--------|
| Potassium Nitrate | 7757-79-1 | Yes | DSL | EINECS |
| Aluminum | 7429-90-5 | Yes | DSL | EINECS |

* * * Section 16 – Other Information * * *

Key/Legend

EPA = Environmental Protection Agency; TSCA = Toxic Substance Control Act; ACGIH = American Conference of Governmental Industrial Hygienists; IARC = International Agency for Research on Cancer; NIOSH = National Institute for Occupational Safety and Health; NTP = National Toxicology Program; OSHA = Occupational Safety and Health Administration., NJTSR = New Jersey Trade Secret Registry; EINECS = European Inventory of Existing Commercial Chemical Substances; DSL = Domestic Substances List (Canadian).

Literature References

None

End of Sheet



Fiche de données de sécurité

Nom du produit : PowerSet Power Charges

*** Section 1 – Identification du produit et de la société ***

Informations sur le fabricant

Hunting Titan
143 HCR 4361
Milford, TX 76670
Téléphone : 972-493-2580

Hunting Energy Services
Level 25, 108 St. Georges Terrace
Perth, WA 6000
Téléphone : 0428 877 632

Numéro d'urgence Chemtrec : 800-424-9300

Numéro d'urgence international Chemtrec :

| | | | |
|--------------------|---------------------------------------------|---------------------|-------------------------------------------------|
| Argentina | 54-1159839431 | Mexico | 800-681-9531 (Toll Free) |
| Australia | 61-290372994 | Netherlands | 31-858880596 |
| Brazil | 55-2139581449 0800 892 0479 (Toll Free) | New Zealand | 64-98010034 |
| Chile | 56 2 2581 4934 | Nigeria | 234 1 227 8883 |
| China | 4001-204937 | Peru | 51-17071295 |
| Colombia | 01800-710-2151 (Toll Free) | Philippines | +63 2 8395 3308 1-800-1-116-1020 (Toll Free) |
| Costa Rica | 506-40003869 | Poland | 48-223988029 |
| Czech Republic | 420-228880039 | Romania | 40-37-6300026 |
| Denmark | 45-69918573 | Russia | 8-800-100-6346 (Toll Free) |
| Dominican Republic | 1 (829) 956-7588 | Saudi Arabia | 966-8111095861 |
| France | 33-975181407 | Singapore | 65-31581349 800-101-2201 (Toll Free) |
| Germany | 49-69643508409 0800-181-7059 (Toll Free) | South Africa | 0-800-983-611 (Toll Free) |
| India | 000-800-100-7141 (Toll Free) | Thailand | 001-800-13-203-9987 (Toll Free) |
| Indonesia | 001-803-017-9114 (Toll Free) | Trinidad and Tobago | 1-868-224-5716 |
| Italy | 39-0245557031 800-789-767 (Toll Free) | Turkey | 90-212-7055340 |
| Japan | 81-345209637 | Ukraine | 380-947101374 |
| Malaysia | 60-392125794 1-800-815-308 (Toll Free) | United Kingdom | 44-870-8200418 44-2038073798 |



Fiche de données de sécurité

Nom du produit : PowerSet Power Charges

*** Section 2 – Identification des dangers ***

Classification SGH :

Explosifs – Division 1.4

ÉLÉMENTS D'ÉTIQUETTE SGH

Symbole(s)



Mot de signalement

Attention

Déclaration sur les risques

Risque d'incendie ou de projection.

Déclaration de précautions

Prévention

Tenir à l'écart de la chaleur, des surfaces chaudes, des étincelles, des flammes nues et de toute autre source d'inflammation. Ne pas fumer.

Éviter les abrasions/les chocs/les impacts/les flammes/les frottements.

Se laver soigneusement les mains, les avant-bras et toutes autres surfaces exposées après manipulation.

Ne pas tenter de démonter.

Ne pas consommer de denrées alimentaires, de boissons ou de tabac dans un secteur où ils risquent d'être contaminés par ces produits. Se laver immédiatement et abondamment à l'eau et au savon après manipulation ou toute autre exposition.

Porter des gants de protection, des vêtements de protection et un dispositif de protection des yeux.

Intervention

Risque d'explosion en cas d'incendie. NE PAS combattre l'incendie lorsque le feu atteint les explosifs, évacuer la zone sur une distance d'au moins 1640 pieds (500 mètres).

Des vapeurs corrosives peuvent être produites par le feu.

Le nettoyage doit être effectué uniquement par du personnel spécialisé dans la manipulation des explosifs. Isoler la zone et enlever les sources d'impact, de frottement, de flamme, de chaleur.

Porter des lunettes de sécurité, des gants et un respirateur antipoussière (si l'endroit est poussiéreux). Nettoyer, balayer avec des équipements anti-étincelles.

Entreposage

Entreposer conformément aux lois locales, régionales, nationales et internationales.

Élimination

Éliminer le contenu/réceptacle conformément aux lois locales, régionales, nationales et internationales.

Autres dangers

PRÉVENTION DES ACCIDENTS LIÉS À L'UTILISATION D'EXPLOSIFS : la prévention des accidents lors de l'utilisation d'explosifs est le résultat d'une planification et d'une observation rigoureuses des bonnes pratiques connues. Il faut rappeler aux utilisateurs d'explosifs qu'ils ont affaire à une force puissante et que divers dispositifs et méthodes ont été mis au point pour les aider à contrôler cette force. Ils doivent se rendre compte que cette force, si elle est mal encadrée, peut les tuer ou les blesser, eux et leurs collègues.



Fiche de données de sécurité

Nom du produit : PowerSet Power Charges

ATTENTION : tous les explosifs sont dangereux et doivent être manipulés et utilisés avec précaution, conformément aux procédures de sécurité agréées, soit par des personnes compétentes et expérimentées, soit sous la direction de personnes compétentes et expérimentées, conformément à toutes les lois, réglementations ou ordonnances fédérales, étatiques et locales applicables. Si vous avez des questions ou des doutes sur la façon d'utiliser un produit explosif, NE L'UTILISEZ PAS avant d'avoir consulté votre superviseur ou le fabricant, si vous n'avez pas de supérieur. Si votre superviseur a des questions ou des doutes, il doit consulter le fabricant avant l'utilisation.

*** Section 3 – Composition / informations sur les composants ***

| Composant | No CAS | % |
|------------------------------|-----------|--------|
| Nitrate de potassium | 7757-79-1 | < 67 % |
| Aluminium | 7429-90-5 | < 20 % |
| BKNO3 | 7778-74-7 | < 2 % |
| Époxy (résine et durcisseur) | | < 85 % |

*** Section 4 – Premiers soins ***

Premiers soins : Yeux

Pour l'exposition à la poussière : Immédiatement rincer abondamment les yeux à l'eau pendant au moins 30 minutes. Enlever les lentilles de contact si la victime en porte et si elles peuvent être facilement enlevées. Continuer à rincer. Consulter immédiatement un médecin.

Premiers soins : Peau

Pour l'exposition à la poussière : Immédiatement rincer abondamment la peau à l'eau pendant au moins 30 minutes. Consulter immédiatement un médecin.

Premiers soins : Ingestion

Voie d'entrée improbable dans des conditions normales de manipulation du produit.

Premiers soins : Inhalation

Pour l'exposition à la poussière ou aux fumées : Transporter la victime à l'air frais et la maintenir au repos dans une position où elle peut confortablement respirer. Appeler immédiatement un centre antipoison, un médecin ou un service médical d'urgence. En utilisant la protection respiratoire adéquate, transporter immédiatement la victime à l'air frais. Encourager la personne exposée à tousser, cracher et se moucher pour éliminer la poussière.

*** Section 5 – Mesures de lutte contre l'incendie ***

Risques généraux d'incendie

Voir les propriétés d'inflammabilité à la Section 9.

Peut déflagrer en cas d'impact, de flamme ou de chaleur. Des éclats dangereux sont projetés par la détonation/déflagration. Risque d'explosion en cas d'incendie.

Explosif, peut provoquer un incendie et des explosions secondaires. Peut aggraver un incendie.

Explosifs, division 1.4 – Explosifs (sans danger de souffle notable). La chaleur peut augmenter la pression, la rupture des récipients fermés, la propagation du feu et un risque accru de brûlures et de blessures.

Danger d'incendie ou de projection.

Produits de combustion dangereux

Des vapeurs corrosives peuvent être produites par le feu.

Moyens d'extinction

Aucune

Moyens d'extinction inappropriés

Aucune



Fiche de données de sécurité

Nom du produit : PowerSet Power Charges

Instructions/équipement de lutte contre les incendies

NE COMBATTEZ PAS LES INCENDIES ! RISQUE D'EXPLOSION ! Isoler la zone. Évacuer la zone sur une distance d'au moins 1640 pieds (500 mètres). Prévenir la réentrée dans la zone. La décomposition thermique peut entraîner la libération de gaz et de vapeurs irritantes.

Pour plus de détails, consulter le Guide des interventions d'urgence publié par le Département des transports des États-Unis (Department of Transportation, D.O.T.) ou le personnel local d'intervention d'urgence.

*** Section 6 – Mesures à prendre en cas de déversement accidentel ***

Récupération et neutralisation

Aucune

Matériaux et méthodes de nettoyage

Le nettoyage doit être effectué uniquement par du personnel spécialisé dans la manipulation des explosifs. Isoler la zone et enlever les sources d'impact, de frottement, de flamme, de chaleur. Nettoyer, balayer avec des équipements anti-étincelles. Éviter de produire de la poussière. Éviter tout contact avec les yeux, la peau ou les vêtements. Ne pas respirer les poussières ou les fumées.

Mesures en cas d'urgence

Isoler la zone. Éloigner le personnel non indispensable.

Précautions personnelles et équipement de protection

Porter des lunettes de sécurité, des gants et un respirateur antipoussière (si l'endroit est poussiéreux).

Précautions environnementales

Éviter le rejet dans l'environnement.

Prévention de risque secondaires

Aucune

*** Section 7 – Manutention et stockage ***

Procédures de manipulation

Tenir à l'écart des impacts, des frottements, des flammes ou de la chaleur. Ne pas tenter de démonter. Ne pas consommer de denrées alimentaires, de boissons ou de tabac dans un secteur où ils risquent d'être contaminés par ces produits. Se laver immédiatement et abondamment à l'eau et au savon après manipulation ou toute autre exposition.

Procédures d'entreposage

Stocker conformément aux exigences de sécurité locales et réglementaires.

Incompatibilités

Acides forts, bases fortes et oxydants forts.

*** Section 8 – Contrôles de l'exposition/protection individuelle ***

Limites d'exposition des composants

Aluminium (7429-90-5)

ACGIH : 1 mg/m³ MPT (matière particulaire respirable)

OSHA : 15 mg/m³ MPT (poussière totale) ; 5 mg/m³ MPT (fraction respirable)

NIOSH : 10 mg/m³ MPT (poussière totale) ; 5 mg/m³ MPT (fraction respirable)

Mesures d'ingénierie

Non requis dans des conditions d'utilisation normales.

Équipement de protection individuelle : Voies respiratoires

Non requis dans des conditions d'utilisation normales.

Équipement de protection individuelle : Mains

Non requis dans des conditions d'utilisation normales.

Porter des gants de protection pour manipuler le contenu des unités endommagées ou non étanches.



Fiche de données de sécurité

Nom du produit : PowerSet Power Charges

Équipement de protection individuelle : Yeux

Lunettes de sécurité recommandées.

Équipement de protection individuelle : Corps et peau

Vêtements de protection pour le travail.

*** Section 9 – Propriétés physiques et chimiques ***

| | | | |
|-------------------------------------|-----------------------------------------------------------------------|----------------------------------------|--------------------|
| État physique : | Solide | Odeur : | Aucune |
| Taux d'évaporation : | Absence de données | Seuil olfactif : | Absence de données |
| Point de fusion : | Absence de données | pH : | Absence de données |
| Point de congélation : | Absence de données | Inflammabilité (solide, gaz) : | Absence de données |
| Point d'ébullition : | Absence de données | Pression de vapeur : | Absence de données |
| Point d'éclair : | Absence de données | Densité de vapeur relative à 20 °C : | Absence de données |
| Température d'auto-inflammabilité : | Absence de données | Densité relative : | Absence de données |
| Température de décomposition : | Absence de données | Solubilité (H ₂ O) : | Absence de données |
| Viscosité : | Absence de données | Coefficient octanol/H ₂ O : | Absence de données |
| Propriétés explosives : | Explosifs, division 1.4 – Explosifs (sans danger de souffle notable). | | |
| Propriétés comburantes : | Peut aggraver un incendie. | | |

*** Section 10 – Informations sur la stabilité chimique et la réactivité ***

Stabilité chimique

Matériau stable dans des conditions normales d'utilisation.

Possibilité de réaction dangereuse

Peut exploser en cas de choc, d'impact, de frottement, de chaleur ou de manipulation brutale.

Conditions à éviter

Tenir à l'écart de la lumière directe du soleil, des températures extrêmes, des étincelles, de la chaleur, des sources d'inflammation et des matières combustibles.

Éviter l'accumulation de poussière pour réduire les dangers d'explosion.

Conserver à l'écart des agents oxydants.

Produits incompatibles

Acides forts, bases fortes et oxydants forts.

Produits de décomposition dangereux

La décomposition thermique génère des vapeurs corrosives.

*** Section 11 – Données toxicologiques ***

Toxicité aiguë

A : Informations générales sur le produit

Power charges ne présente pas de danger pour la santé en cas de manipulation et d'utilisation normales.

Toutefois, il s'agit d'un produit explosif dont la déflagration ou détonation peut causer des blessures graves voire mortelles.

B : Analyse des composants – DL50/CL50

Nitrate de potassium (7757-79-1)

DL50 orale chez le rat 3 015 mg/kg ; DL50 dermique chez le rat > 5 000 mg/kg

Répercussions potentielles sur la santé : Corrosion cutanée/stimulation

Le contact des poussières avec la peau provoque des brûlures de la peau et des lésions oculaires graves



Fiche de données de sécurité

Nom du produit : PowerSet Power Charges

Répercussions potentielles sur la santé : Dommage oculaire/stimulation

Le contact des poussières avec les yeux peut causer des dommages oculaires graves.

Répercussions potentielles sur la santé : Ingestion

Voie d'entrée improbable dans des conditions normales d'utilisation.

Répercussions potentielles sur la santé : Inhalation

Peut provoquer des troubles du système nerveux dont des maux de tête et des vertiges en cas d'inhalation des poudres.

Sensibilisation des organes respiratoires/sensibilisation de la peau

Peut provoquer des symptômes d'allergie ou d'asthme ou des difficultés respiratoires en cas d'inhalation des poudres. Peut provoquer une allergie cutanée.

Mutagénicité des cellules reproductrices

Ce produit n'est pas signalé comme ayant des effets mutagènes.

Cancérogénicité

A : Informations générales sur le produit

Ce produit n'est pas signalé comme ayant des effets cancérogènes.

B : Cancérogénicité des composants

Reprotoxicité

Ce produit n'est pas signalé comme ayant des effets toxiques sur l'appareil reproducteur.

Toxicité spécifique pour certains organes cibles : Exposition unique

Peut irriter les voies respiratoires.

Toxicité spécifique pour certains organes cibles Exposition répétée

Aucun effet de toxicité générale sur des organismes cibles spécifiques suite à une exposition répétée n'est signalé pour ce produit.

Risques d'absorption par aspiration

Aucun danger d'aspiration n'est signalé pour ce produit.

*** Section 12 – Données écologiques ***

Écotoxicité

A : informations générales sur le produit

Aucune information disponible pour le produit.

B : Analyse des composants – Écotoxicité – Toxicité aquatique

Nitrate de potassium (7757-79-1)

Test et espèces

CE50 Daphnia 1

490 mg/l

Persistance/Dégradabilité

Aucune information disponible pour le produit.

Bioaccumulation

Aucune information disponible pour le produit.

Mobilité dans le sol

Aucune information disponible pour le produit.

*** Section 13 – Élimination ***

Instructions relatives à l'élimination des déchets

Voir les procédures de manipulation à la Section 7. Voir les recommandations relatives aux équipements de protection individuelle à la Section 8.



Fiche de données de sécurité

Nom du produit : PowerSet Power Charges

Élimination des contenants ou emballages contaminés

Éliminer le contenu/réceptacle conformément aux réglementations locales, régionales, nationales et internationales. Le réceptacle peut demeurer dangereux même lorsqu'il est vide. Continuer à se conformer à toutes les précautions.

*** Section 14 – Informations relatives au transport ***

Information sur le Département des Transports des États-Unis

Nom d'expédition : Cartouches, puits de pétrole

No UN : 0278 Classe de risque : 1.4C

*** Section 15 – Informations réglementaires ***

Réglementation fédérale des États-Unis

A : Analyse des composants

| Composant | No CAS | SARA Section 313 (40 CFR 372.65) |
|-----------|-----------|-------------------------------------|
| Aluminium | 7429-90-5 | 1 % (poussière ou fumée uniquement) |

B : Composant de polluants marins

Aucun des composants de cet article ne contient de produits chimiques que le Département des transports des États-Unis considère comme polluants marins.

Réglementations des États

Analyse des composants – État

Les composants suivants figurent sur une ou plusieurs des listes de substances dangereuses suivantes :

| Composant | No CAS | CA | MA | MN | NJ | PA | RI |
|----------------------|-----------|--------|-----|--------|-----|-----|-----|
| Nitrate de potassium | 7757-79-1 | Aucune | Oui | Aucune | Oui | Oui | Oui |
| Aluminium | 7429-90-5 | Oui | Oui | Oui | Oui | Oui | Oui |

La ou les déclarations suivantes sont fournies en vertu du décret d'application de 1986 sur la Sécurité de l'eau potable et les substances toxiques (Proposition 65) de la Californie :

ATTENTION ! Ce produit contient un agent chimique reconnu par l'État de Californie comme pouvant causer le cancer. ATTENTION ! Ce produit contient un agent chimique reconnu par l'État de Californie comme pouvant causer des troubles de la reproduction et du développement.

Informations réglementaires supplémentaires

Analyse des composants - Inventaire

| Composant | No CAS | TSCA | CAN | CEE |
|----------------------|-----------|------|-----|--------|
| Nitrate de potassium | 7757-79-1 | Oui | LIS | EINECS |
| Aluminium | 7429-90-5 | Oui | LIS | EINECS |



Fiche de données de sécurité

Nom du produit : PowerSet Power Charges

| |
|-----------------------------------------------------|
| * * * Section 16 – Autres informations * * * |
|-----------------------------------------------------|

Légende

EPA = Environmental Protection Agency (Agence américaine de protection de l'environnement) ; TSCA = Toxic Substance Control Act (Loi relative au contrôle des substances toxiques) ; ACGIH = American Conference of Governmental Industrial Hygienists (Conférence américaine des hygiénistes industriels gouvernementaux) ; IARC = International Agency for Research on Cancer (Centre international de recherche sur le cancer) ; NIOSH = National Institute for Occupational Safety and Health (Institut national pour la sécurité et la santé au travail) ; NTP = National Toxicology Program (Programme national de toxicologie) ; OSHA = Occupational Safety and Health Administration (Administration de l'hygiène et de la médecine du travail) ; NJTSR = New Jersey Trade Secret Registry (Registre des secrets industriels du New Jersey) ; EINECS = European Inventory of Existing Commercial Chemical Substances (Inventaire européen des substances chimiques commerciales existantes) ; DSL = Domestic Substances List (Liste intérieure des substances) (Canada).

Références

Aucune

Fin de la fiche



Hoja de Datos de Seguridad

Nombre del producto: PowerSet Power Charges (cargadores)

*** Sección 1 – Identificación del Producto y la Compañía ***

Información del fabricante

Hunting Titan
143 HCR 4361
Milford, TX 76670
Teléfono: 972-493-2580

Hunting Energy Services
Level 25, 108 St. Georges Terrace
Perth, WA 6000
Teléfono: 0428 877 632

Número de emergencia de Chemtrec 800-424-9300

Número internacional de emergencia de Chemtrec:

| | | | |
|--------------------|---------------------------------------------|---------------------|-------------------------------------------------|
| Argentina | 54-1159839431 | Mexico | 800-681-9531 (Toll Free) |
| Australia | 61-290372994 | Netherlands | 31-858880596 |
| Brazil | 55-2139581449 0800 892 0479 (Toll Free) | New Zealand | 64-98010034 |
| Chile | 56 2 2581 4934 | Nigeria | 234 1 227 8883 |
| China | 4001-204937 | Peru | 51-17071295 |
| Colombia | 01800-710-2151 (Toll Free) | Philippines | +63 2 8395 3308 1-800-1-116-1020 (Toll Free) |
| Costa Rica | 506-40003869 | Poland | 48-223988029 |
| Czech Republic | 420-228880039 | Romania | 40-37-6300026 |
| Denmark | 45-69918573 | Russia | 8-800-100-6346 (Toll Free) |
| Dominican Republic | 1 (829) 956-7588 | Saudi Arabia | 966-8111095861 |
| France | 33-975181407 | Singapore | 65-31581349 800-101-2201 (Toll Free) |
| Germany | 49-69643508409 0800-181-7059 (Toll Free) | South Africa | 0-800-983-611 (Toll Free) |
| India | 000-800-100-7141 (Toll Free) | Thailand | 001-800-13-203-9987 (Toll Free) |
| Indonesia | 001-803-017-9114 (Toll Free) | Trinidad and Tobago | 1-868-224-5716 |
| Italy | 39-0245557031 800-789-767 (Toll Free) | Turkey | 90-212-7055340 |
| Japan | 81-345209637 | Ukraine | 380-947101374 |
| Malaysia | 60-392125794 1-800-815-308 (Toll Free) | United Kingdom | 44-870-8200418 44-2038073798 |



Hoja de Datos de Seguridad

Nombre del producto: PowerSet Power Charges (cargadores)

*** Sección 2 – Identificación de Riesgos ***

Clasificación GHS:

Explosivos: división 1.4

ELEMENTOS DE LA ETIQUETA GHS

Signo(s)



Palabra de Señalización

Atención

Declaraciones de Riesgos

Riesgo de incendio o explosión.

Declaraciones de Precaución

Prevención

Mantener alejado del calor, de superficies calientes, de chispas, de llamas abiertas y de cualquier otra fuente de ignición. No fumar.

No moler ni someter a choque/impacto/llama/calor/fricción.

Lavarse a fondo las manos, los antebrazos y otras zonas expuestas tras la manipulación.

No intentar desmontar.

No consumir alimento, bebidas ni tabaco en una zona donde puedan contaminarse con estos materiales. Tras su manipulación u otra exposición, lavarse inmediatamente y con cuidado con agua y jabón.

Llevar guantes, prendas y gafas de protección.

Respuesta

Riesgo de explosión en caso de incendio. NO trate de extinguir el fuego cuando llegue a los explosivos; evacue el área a por lo menos 1,640 pies (500 metros).

Pueden producirse vapores corrosivos en un incendio.

La limpieza debe ser efectuada solamente por personal con experiencia en el manejo de explosivos. Aísle el área y retire las fuentes de impacto, fricción, flama, calor.

Use lentes de seguridad, guantes y respirador contra polvo (si hay polvo en el área). Limpieza: barrer usando herramientas que no produzcan chispas.

Almacenamiento

Almacenar conforme a los reglamentos locales, regionales, nacionales e internacionales.

Disposición

Disponer de contenido o recipiente conforme a los reglamentos locales, regionales, nacionales e internacionales.

Otros peligros

PREVENCIÓN DE ACCIDENTES EN EL USO DE EXPLOSIVOS: la prevención de accidentes en el uso de explosivos es el resultado de una planificación cuidadosa y de seguir las mejores prácticas conocidas. El usuario de explosivos debe recordar que trata con una fuerza poderosa y que se han desarrollado varios dispositivos y métodos para ayudarles a dirigir esta fuerza. Debería darse cuenta de que esta fuerza, si se dirige mal, puede matarle o herirle, así como a sus compañeros de trabajo.



Hoja de Datos de Seguridad

Nombre del producto: **PowerSet Power Charges (cargadores)**

ATENCIÓN: todos los explosivos son peligrosos y deben manipularse y usarse con cuidado siguiendo los procedimientos de seguridad aprobados por o bajo la dirección de personas competentes y experimentadas, de acuerdo con todas las leyes, normativas u ordenanzas federales, estatales y locales aplicables. Si tiene alguna pregunta o duda sobre cómo usar un producto explosivo, NO LO USE antes de hablar con su supervisor, o el fabricante, si no tiene asignado un supervisor. Si su supervisor tiene alguna pregunta o duda, debería consultarla con el fabricante antes del uso.

*** Sección 3 – Composición / Información sobre Ingredientes ***

| Componente | # CAS | % |
|------------------------------|-----------|--------|
| Nitrato de potasio | 7757-79-1 | < 67 % |
| Aluminio | 7429-90-5 | < 20 % |
| BKNO3 | | < 2 % |
| Epoxi (resina y endurecedor) | | < 85 % |

*** Sección 4 - Medidas de Primeros Auxilios ***

Primeros Auxilios: Ojos

Para la exposición al polvo: Lavar inmediatamente los ojos con abundante agua durante al menos 30 minutos. Quitar las lentes de contacto, si lleva y resulta fácil. Seguir aclarando. Consultar a un médico inmediatamente.

Primeros Auxilios: Piel

Para la exposición al polvo: Lavar inmediatamente la piel con abundante agua durante al menos 30 minutos. Consultar a un médico inmediatamente.

Primeros Auxilios: Ingestión

En condiciones normales de manipulación del producto, no es una vía de entrada prevista.

Primeros Auxilios: Inhalación

Para la exposición al polvo o humo: Mover a la víctima a un espacio abierto y dejarla descansar en una posición que le permita respirar con comodidad. Llamar inmediatamente a un centro de toxicología, a un médico o a los servicios médicos de urgencias. Utilizando la protección respiratoria adecuada, trasladar inmediatamente a la persona expuesta al aire libre. Pedir a la persona afectada que tosa, escupa y se suene la nariz para eliminar el polvo.

*** Sección 5 – Medidas de Extinción de Incendios ***

Riesgos Generales de Incendios

Vea la Sección 9 para conocer las Propiedades de inflamabilidad.

Puede producirse una deflagración por un impacto, una llama o el calor. La detonación / deflagración crea fragmentos peligrosos. Riesgo de explosión en caso de incendio.

Explosivo, podría provocar un incendio y explosiones secundarias. Puede agravar un incendio.

Explosivos, división 1.4: explosivos (sin peligro de explosión importante). El calor podría causar un aumento de la presión, creando fugas en los contenedores cerrados, extendiendo el fuego y aumentando el riesgo de quemaduras y lesiones.

Peligro de incendio o de proyección.

Productos Peligrosos de su Combustión

Pueden producirse vapores corrosivos en un incendio.

Medios de Extinción

Ninguno

Medios de Extinción no Adecuados

Ninguno



Hoja de Datos de Seguridad

Nombre del producto: **PowerSet Power Charges (cargadores)**

Equipo Contra Incendio/Instrucciones

¡NO TRATE DE EXTINGUIR LOS INCENDIOS! ¡PUEDE OCURRIR UNA EXPLOSIÓN! Aislar el área. Evacuar el área por lo menos a 1,500 pies (460 metros). Impedir la reentrada. Una descomposición térmica puede producir la expulsión de vapores y gases irritantes.

Consultar la Guía de respuesta a emergencias D.O.T. de los EE. UU. o al personal de emergencia local para obtener más información.

*** Sección 6 – Medidas por Liberación Accidental ***

Recuperación y Neutralización

Ninguno

Materiales y Métodos de Limpieza

Solo puede limpiar el personal con experiencia en manipulación de explosivos. Aislar la zona y eliminar las fuentes de impacto, fricción, llama y calor. Limpiar; barrer con herramientas que no suelten chispas. Evitar generar polvo. Evitar el contacto con los ojos, la piel o la ropa. No respirar el polvo o los humos.

Medidas de Emergencia

Aislar la zona. Mantener alejado a todo el personal que no sea necesario.

Precauciones Personales y Equipo de Protección

Llevar gafas y guantes de protección y mascarilla antipolvo (si hay polvo en la zona).

Precauciones Ambientales

Evitar su liberación al medio ambiente.

Prevención de Riesgos Secundarios

Ninguna

*** Sección 7 – Manejo y Almacenamiento ***

Procedimientos de Manejo

Alejar del impacto, la fricción, la llama o el calor. No intentar desmontar. No consumir alimentos, bebidas ni tabaco en una zona donde se puedan contaminar con estos materiales. Tras su manipulación u otra exposición, lavarse inmediatamente y con cuidado con agua y jabón.

Procedimientos de Almacenamiento

Almacenar conforme a los requisitos de seguridad y reglamentarios locales.

Incompatibilidades

Ácidos fuertes, bases fuertes y muy comburentes.

*** Sección 8 - Controles de Exposición / Protección Individual ***

Límites de Exposición del Componente

Aluminio (7429-90-5)

ACGIH: 1 mg/m³ TWA (partículas respirables)

OSHA: 15 mg/m³ TWA (polvo total); 5 mg/m³ TWA (fracción respirable)

NIOSH: 10 mg/m³ TWA (polvo total); 5 mg/m³ TWA (polvo respirable)

Medidas de Ingeniería

No se necesitan en condiciones normales de manipulación del producto.

Equipo de Protección Personal: Respiratorio

No se necesitan en condiciones normales de manipulación del producto.

Equipo de Protección Personal: Manos

No se necesitan en condiciones normales de manipulación del producto.

Llevar guantes de protección para manipular contenidos de unidades dañadas o con fugas.

Equipo de Protección Personal: Ojos

Se recomiendan gafas de seguridad.



Hoja de Datos de Seguridad

Nombre del producto: PowerSet Power Charges (cargadores)

Equipo de Protección Personal: Piel y Cuerpo

Ropa de trabajo de protección.

*** Sección 9 – Propiedades Físicas y Químicas ***

| | | | |
|--------------------------------|-----------------------------------------------------------------------------|----------------------------------------|---------|
| Estado Físico: | Sólido | Olor: | Ninguno |
| Tasa de Evaporación: | ND | Umbral Olfativo: | ND |
| Punto de Fusión: | ND | pH: | ND |
| Punto de Congelación: | ND | Inflamabilidad (sólido, gas): | ND |
| Punto de Ebullición: | ND | Presión de Vapor: | ND |
| Punto de Inflamación: | ND | Densidad de Vapor Relativa a 20 °C: | ND |
| Temperatura de Autoignición: | ND | Densidad Relativa: | ND |
| Temperatura de Descomposición: | ND | Solubilidad (H ₂ O): | ND |
| Viscosidad: | ND | Coefficiente Octanol/H ₂ O: | ND |
| Propiedades Explosivas: | Explosivos, división 1.4: explosivos (sin peligro de explosión importante). | | |
| Propiedades Comburentes: | Puede agravar un incendio. | | |

*** Sección 10 – Información de Estabilidad Química y Reactividad ***

Estabilidad Química

Este material es estable en condiciones normales.

Potencial Peligrosa Potencial

Puede explotar si se le somete a choques, impactos, fricción, calor o una manipulación brusca.

Condiciones a Evitar

Mantener el producto lejos de la luz solar directa, temperaturas extremas, chispas, calor, fuentes de ignición y materiales incompatibles.

Evitar acumulación de polvo para minimizar el riesgo de explosión.

Almacenar lejos de agentes comburentes.

Productos Incompatibles

Ácidos fuertes, bases fuertes y muy comburentes.

Productos Peligrosos de su Descomposición

La descomposición térmica genera vapores corrosivos.

*** Sección 11 – Información Toxicológica ***

Toxicidad Aguda

A: Información General del Producto

Las cargas potentes no presentan un peligro para la salud durante una manipulación y un uso normales. Sin embargo, este es un producto explosivo y una deflagración o detonación puede provocar heridas físicas graves, incluso la muerte.

B: Análisis de Componentes – LD50/LC50

Nitrato de potasio (7757-79-1)

LD50 oral en ratas 3015 mg/kg; LD50 cutánea en ratas >5000 mg/kg

Efectos Potenciales en la Salud: Propiedad de Corrosión / Hipersensibilidad de la Piel

El contacto con el polvo puede provocar quemaduras graves en la piel y lesiones oculares graves.

Efectos Potenciales en la Salud: Daños Críticos / Hipersensibilidad en Ojos

El contacto del polvo con los ojos puede provocar graves daños oculares.



Hoja de Datos de Seguridad

Nombre del producto: PowerSet Power Charges (cargadores)

Efectos Potenciales en la Salud: Ingestión

No es una vía de entrada prevista en condiciones normales de uso del producto.

Efectos Potenciales en la Salud: Inhalación

La inhalación de los polvos puede provocar irregularidades en el sistema nervioso, lo que incluye dolores de cabeza y mareos.

Sensibilización de Órganos Respiratorios / Piel

La inhalación de polvos puede provocar síntomas de asma o alergia, o dificultad para respirar si se inhala. Puede provocar una reacción alérgica en la piel.

Mutagenicidad en Células Generativas

No se han notificado efectos mutagénicos.

Efecto Cancerígeno

A: Información General del Producto

No se han notificado efectos cancerígenos.

B: Efecto Cancerígeno del Componente

Toxicidad Reproductiva

No se han notificado efectos de toxicidad para la reproducción en este producto.

Toxicidad General en Órganos Objetivo Especificados: Exposición única

Puede irritar las vías respiratorias.

Toxicidad General en Órganos Objetivo Especificados: Exposición repetida

No se han notificado efectos de toxicidad general específica en determinados órganos con exposición repetida.

Riesgo a los Órganos Respiratorios por Aspiración

No se han notificado peligros por aspiración.

* * * Sección 12 – Información Ecológica * * *

Ecotoxicidad

A: Información General del Producto

No hay información disponible para el producto.

B: Análisis de Componentes – Ecotoxicidad – Toxicidad Acuática

Nitrato de potasio (7757-79-1)

Prueba y especies

EC50 en Daphnia 1

490 mg/l

Persistencia/Degradabilidad

No hay información disponible para el producto.

Bioacumulación

No hay información disponible para el producto.

Movilidad en el Suelo

No hay información disponible para el producto.

* * * Sección 13 – Consideraciones para Eliminación * * *

Instrucciones para disposición de Residuos

Vea la Sección 7 para conocer los Procedimientos de manipulación. Vea la Sección 8 para conocer el Equipo de protección individual recomendado.

Disposición de Recipientes o Envases Contaminados

Eliminar el contenido o el recipiente conforme a la normativa local, regional, nacional e internacional vigente. El contenedor puede seguir siendo peligroso incluso vacío. Continuar observando todas las precauciones.



Hoja de Datos de Seguridad

Nombre del producto: PowerSet Power Charges (cargadores)

*** Sección 14 – Información de Transporte ***

Información del Departamento de Transportes de los Estados Unidos (US DOT)

Nombre al embarcar: Cartuchos para pozo petrolífero

UN #: 0278 Clase de peligro: 1.4C

*** Sección 15 – Información Regulatoria ***

Reglamentos Federales de los Estados Unidos

A: Análisis de Componentes

| Componente | N.º CAS | SARA Sección 313 (40 CFR 372.65) |
|------------|-----------|----------------------------------|
| Aluminio | 7429-90-5 | 1 % (solo polvo o humo) |

B: Componentes Contaminantes Marinos

Ninguno de los componentes de este artículo contiene sustancias químicas que el Departamento de transportes de los EE. UU. requiera identificar como contaminantes marinos.

Regulaciones Estatales

Análisis del Componente: Estado

Los siguientes componentes aparecen en una o más de las listas estatales de sustancias peligrosas:

| Componente | # CAS | CA | MA | MN | NJ | PA | RI |
|--------------------|-----------|----|----|----|----|----|----|
| Nitrato de potasio | 7757-79-1 | No | Sí | No | Sí | Sí | Sí |
| Aluminio | 7429-90-5 | Sí | Sí | Sí | Sí | Sí | Sí |

La(s) siguiente(s) declaración(es) se proporcionan siguiendo la Ley de cumplimiento de agua potable y sustancias tóxicas de California de 1986 (propuesta 65):

¡ATENCIÓN! Este producto contiene una sustancia química conocida en el estado de California como cancerígena. ¡ATENCIÓN! Este producto contiene una sustancia química conocida en el estado de California por afectar a la reproducción o al desarrollo.

Información Reglamentaria Adicional

Análisis de Componentes: Inventario

| Componente | # CAS | TSCA | CAN | EEC |
|--------------------|-----------|------|-----|--------|
| Nitrato de potasio | 7757-79-1 | Sí | DSL | EINECS |
| Aluminio | 7429-90-5 | Sí | DSL | EINECS |

*** Sección 16 – Otra Información ***

Claves/Leyendas

EPA = Agencia de Protección Ambiental (Environmental Protection Agency); TSCA = Ley de Control de Sustancias Tóxicas (Toxic Substance Control Act); ACGIH = Conferencia Americana de Higienistas Industriales (American Conference of Governmental Industrial Hygienists); IARC = Agencia Internacional para la Investigación sobre Cáncer (International Agency for Research on Cancer); NIOSH = Instituto Nacional para la Seguridad y Salud Ocupacional (National Institute for Occupational Safety and Health); NTP = Programa Nacional de Toxicología (National Toxicology Program); OSHA = Administración para la Seguridad y Salud Ocupacional (Occupational Safety and Health Administration), NJTSR = Registro de Secreto Comercial de Nueva Jersey (New Jersey Trade Secret Registry); EINECS = Inventario Europeo de Sustancias Químicas Comerciales Existentes (European Inventory of Existing Commercial Chemical Substances); DSL = Lista de Sustancias Nacionales de Canadá (Domestic Substances List).

Referencias de Literatura

Ninguna

Fin de Hoja



Safety Data Sheet

Product Name: PowerSet Solo and Select Power Charges

*** Section 1 – Product and Company Identification ***

Manufacturer Information

Hunting Titan
143 HCR 4361
Milford, TX 76670
Phone: 972-493-2580

Hunting Energy Services
Level 25, 108 St. Georges Terrace
Perth, WA 6000
Phone: 0428 877 632

Chemtrec Emergency #: 800-424-9300

International Chemtrec Emergency #:

| | | | |
|--------------------|---------------------------------------------|---------------------|-------------------------------------------------|
| Argentina | 54-1159839431 | Mexico | 800-681-9531 (Toll Free) |
| Australia | 61-290372994 | Netherlands | 31-858880596 |
| Brazil | 55-2139581449 0800 892 0479 (Toll Free) | New Zealand | 64-98010034 |
| Chile | 56 2 2581 4934 | Nigeria | 234 1 227 8883 |
| China | 4001-204937 | Peru | 51-17071295 |
| Colombia | 01800-710-2151 (Toll Free) | Philippines | +63 2 8395 3308 1-800-1-116-1020 (Toll Free) |
| Costa Rica | 506-40003869 | Poland | 48-223988029 |
| Czech Republic | 420-228880039 | Romania | 40-37-6300026 |
| Denmark | 45-69918573 | Russia | 8-800-100-6346 (Toll Free) |
| Dominican Republic | 1 (829) 956-7588 | Saudi Arabia | 966-8111095861 |
| France | 33-975181407 | Singapore | 65-31581349 800-101-2201 (Toll Free) |
| Germany | 49-69643508409 0800-181-7059 (Toll Free) | South Africa | 0-800-983-611 (Toll Free) |
| India | 000-800-100-7141 (Toll Free) | Thailand | 001-800-13-203-9987 (Toll Free) |
| Indonesia | 001-803-017-9114 (Toll Free) | Trinidad and Tobago | 1-868-224-5716 |
| Italy | 39-0245557031 800-789-767 (Toll Free) | Turkey | 90-212-7055340 |
| Japan | 81-345209637 | Ukraine | 380-947101374 |
| Malaysia | 60-392125794 1-800-815-308 (Toll Free) | United Kingdom | 44-870-8200418 44-2038073798 |



Safety Data Sheet

Product Name: PowerSet Solo and Select Power Charges

*** Section 2 – Hazards Identification ***

GHS Classification:

Explosives - Division 1.4

GHS LABEL ELEMENTS

Symbol(s)



Signal Word

Warning

Hazard Statements

Fire or projection hazard.

Precautionary Statements

Prevention

Keep away from heat, hot surfaces, sparks, open flames and other ignition sources. No smoking.

Do not subject to grinding/shock/impact/flame/heat/friction.

Wash hands, forearms, and other exposed areas thoroughly after handling.

Do not attempt to disassemble.

Do not consume food, drink or tobacco in area where they may become contaminated with these materials. After handling or other exposure, immediately wash thoroughly with soap and water.

Wear protective gloves, protective clothing, and eye protection.

Response

Explosion risk in case of fire. DO NOT fight fire when fire reaches explosives; evacuate area for at least 1640 ft. (500 meters).

Corrosive vapors may be produced in fire.

Clean up should be done only by personnel experienced in handling explosives. Isolate area and remove sources of impact, friction, flame, heat.

Wear safety glasses, gloves and dust respirator (if area is dusty). Clean up, sweep up with non-sparking tools.

Storage

Store in accordance with local, regional, national, and international regulations.

Disposal

Dispose of contents/container in accordance with local, regional, national, and international regulations.

Other Hazards

PREVENTION OF ACCIDENTS IN THE USE OF EXPLOSIVES – The prevention of accidents in the use of explosives is a result of careful planning and observance of the best known practices. The explosives user must remember that they are dealing with a powerful force and that various devices and methods have been developed to assist them in directing this force. They should realize that this force, if misdirected, may either kill or injure both themselves and their fellow workers.

WARNING – All explosives are dangerous and must be carefully handled and used following approved safety procedures either by or under the direction of competent, experienced persons in accordance with all applicable federal, state, and local laws, regulations, or ordinances. If you have any questions or doubts as to how to use any explosive product, DO NOT USE IT before consulting with your supervisor, or the manufacturer, if you do not have a supervisor. If your supervisor has any questions or doubts, they should consult the manufacturer before use.



Safety Data Sheet

Product Name: PowerSet Solo and Select Power Charges

*** Section 3 – Composition / Ingredient Information ***

| Component | CAS # | % |
|----------------------------|-----------|--------|
| Potassium Nitrate | 7757-79-1 | < 67 % |
| Aluminum | 7429-90-5 | < 20 % |
| Epoxy (Resin and Hardener) | | < 85 % |

*** Section 4 – First Aid Measures ***

First Aid: Eyes

For dust exposure: Immediately flush eyes with plenty of water for at least 30 minutes. Remove contact lenses, if present and easy to do. Continue rinsing. Get immediate medical advice / attention.

First Aid: Skin

For dust exposure: Immediately flush skin with plenty of water for at least 30 minutes. Get immediate medical advice / attention.

First Aid: Ingestion

Not an expected route of entry under normal product handling conditions.

First Aid: Inhalation

For dust or fume exposure: Remove victim to fresh air and keep at rest in a position comfortable for breathing. Immediately call a poison center, physician, or emergency medical service. Using proper respiratory protection, move the exposed person to fresh air at once. Encourage exposed person to cough, spit out, and blow nose to remove dust.

*** Section 5 – Fire Fighting Measures ***

General Fire Hazards

See Section 9 for Flammability Properties.

May deflagrate with impact, flame or heat. Detonation / deflagration causes hazardous fragments. Explosion risk in event of fire.

Explosive, could cause fire and secondary explosions. May intensify fire.

Explosives, Division 1.4 – Explosives (with no significant blast hazard). Heat may build pressure, rupturing closed containers, spreading fire and increasing risk of burns and injuries.

Fire or projection hazard.

Hazardous Combustion Products

Corrosive vapors may be produced in fire.

Extinguishing Media

None

Unsuitable Extinguishing Media

None

Fire Fighting Equipment/Instructions

DO NOT FIGHT FIRES! EXPLOSION MAY OCCUR! Isolate area. Evacuate area for at least 1640 ft. (500 meters). Guard against re-entry. Thermal decomposition can lead to release of irritating gases and vapors. Consult U.S. D.O.T. Emergency Response Guide or local emergency response personnel for further details.

*** Section 6 – Accidental Release Measures ***

Recovery and Neutralization

None

Materials and Methods for Clean-Up

Clean up should be done only by personnel experienced in handling explosives. Isolate area and remove sources of impact, friction, flame, heat. Clean up; sweep up with non-sparking tools. Avoid generating dust. Do not get in eyes, on skin, or on clothing. Do not breathe dust or fumes.



Safety Data Sheet

Product Name: PowerSet Solo and Select Power Charges

Emergency Measures

Isolate area. Keep unnecessary personnel away.

Personal Precautions and Protective Equipment

Wear safety glasses, gloves and dust respirator (if area is dusty).

Environmental Precautions

Avoid release to the environment.

Prevention of Secondary Hazards

None

*** Section 7 – Handling and Storage ***

Handling Procedures

Keep away from impact, friction, flame, or heat. Do not attempt to disassemble. Do not consume food, drink, or tobacco in area where they may become contaminated with these materials. After handling or other exposure, immediately wash thoroughly with soap and water.

Storage Procedures

Store in accordance with local and safety and regulatory requirements.

Incompatibilities

Strong Acids, Strong Bases, and Strong Oxidizers.

*** Section 8 – Exposure Controls / Personal Protection ***

Component Exposure Limits

Aluminum (7429-90-5)

ACGIH: 1 mg/m³ TWA (respirable particulate matter)
OSHA: 15 mg/m³ TWA (total dust); 5mg/m³ TWA (respirable fraction)
NIOSH: 10 mg/m³ TWA (total dust); 5mg/m³ TWA (respirable dust)

Engineering Measures

Not required under normal product handling conditions.

Personal Protective Equipment: Respiratory

Not required under normal product handling conditions.

Personal Protective Equipment: Hands

Not required under normal product handling conditions.
Wear protective gloves to handle contents of damaged or leaking units.

Personal Protective Equipment: Eyes

Safety glasses recommended.

Personal Protective Equipment: Skin and Body

Protective work clothing.

*** Section 9 – Physical and Chemical Properties ***

| | | | |
|-----------------------------------|---------------------------------------------------------------------------|----------------------------------------|------|
| Physical State: | Solid | Odor: | None |
| Evaporation Rate: | ND | Odor Threshold: | ND |
| Melting Point: | ND | pH: | ND |
| Freezing Point: | ND | Flammability (solid, gas): | ND |
| Boiling Point: | ND | Vapor Pressure: | ND |
| Flash Point: | ND | Relative Vapor Density at 20°C: | ND |
| Auto Ignition Temperature: | ND | Relative Density: | ND |
| Decomposition Temperature: | ND | Solubility (H2O): | ND |
| Viscosity: | ND | Octanol/H2O Coeff.: | ND |
| Explosive Properties: | Explosives, Division 1.4 – Explosives (with no significant blast hazard). | | |
| Oxidizing Properties: | May intensify fire. | | |



Safety Data Sheet

Product Name: PowerSet Solo and Select Power Charges

*** Section 10 – Chemical Stability and Reactivity Information ***

Chemical Stability

This is a stable material under normal conditions.

Hazardous Reaction Potential

May explode if subjected to shock, impact, friction, heat or rough handling.

Conditions to Avoid

Keep away from direct sunlight, extreme temperatures, sparks, heat, ignition sources, and combustible materials.

Avoid dust accumulation to minimize explosion hazard.

Store away from oxidizing agents.

Incompatible Products

Strong Acids, Strong Bases, and Strong Oxidizers.

Hazardous Decomposition Products

Thermal decomposition generates corrosive vapors.

*** Section 11 – Toxicological Information ***

Acute Toxicity

A: General Product Information

Power charges do not present a health hazard in normal handling and use. However this is an explosive product and deflagration or detonation may cause severe physical injury, including death.

B: Component Analysis – LD50/LC50

Potassium Nitrate (7757-79-1)

Oral LD50 Rat 3015 mg/kg; Dermal LD50 Rat >5000 mg/kg

Potential Health Effects: Skin Corrosion Property / Stimulativeness

Dust contact with skin may cause severe skin burns and eye damage.

Potential Health Effects: Eye Critical Damage / Stimulativeness

Dust contact with eyes may cause severe eye damage.

Potential Health Effects: Ingestion

Not an expected route of entry under normal product use conditions.

Potential Health Effects: Inhalation

Inhalation of powders may cause nervous system irregularities including headaches and dizziness.

Respiratory Organs Sensitization/Skin Sensitization

Inhalation of powders may cause an allergy or asthma symptoms or breathing difficulties if inhaled. May cause an allergic skin reaction.

Generative Cell Mutagenicity

This product is not reported to have any mutagenic effects.

Carcinogenicity

A: General Product Information

This product is not reported to have any carcinogenic effects.

B: Component Carcinogenicity

Reproductive Toxicity

This product is not reported to have any reproductive toxicity effects.

Specified Target Organ General Toxicity: Single Exposure

May cause respiratory irritation.

Specified Target Organ General Toxicity: Repeated Exposure

This product is not reported to have any specific target organ general toxicity repeat exposure effects.



Safety Data Sheet

Product Name: PowerSet Solo and Select Power Charges

Aspiration Respiratory Organs Hazard

This product is not reported to have any aspiration hazards.

*** Section 12 – Ecological Information ***

Ecotoxicity

A: General Product Information

No information available for the product.

B: Component Analysis - Ecotoxicity - Aquatic Toxicity

Potassium Nitrate (7757-79-1)

Test & Species

EC50 Daphnia 1

490 mg/L

Persistence/Degradability

No information available for the product.

Bioaccumulation

No information available for the product.

Mobility in Soil

No information available for the product.

*** Section 13 – Disposal Considerations ***

Waste Disposal Instructions

See Section 7 for Handling Procedures. See Section 8 for Personal Protective Equipment recommendations.

Disposal of Contaminated Containers or Packaging

Dispose of contents/container in accordance with local, regional, national, and international regulations. Container may remain hazardous when empty. Continue to observe all precautions.

*** Section 14 – Transportation Information ***

US DOT Information

Shipping Name: Cartridges, Oil well

UN #: 0278 **Hazard Class:** 1.4C

*** Section 15 – Regulatory Information ***

US Federal Regulations

A: Component Analysis

| Component | CAS | SARA Section 313 (40 CFR 372.65) |
|-----------|-----------|-------------------------------------|
| Aluminum | 7429-90-5 | 1% (dust or fume only) |

B: Component Marine Pollutants

None of the components in this article contain chemicals required by US DOT to be identified as marine pollutants.



Safety Data Sheet

Product Name: PowerSet Solo and Select Power Charges

State Regulations

Component Analysis - State

The following components appear on one or more of the following state hazardous substances lists:

| Component | CAS | CA | MA | MN | NJ | PA | RI |
|-------------------|-----------|-----|-----|-----|-----|-----|-----|
| Potassium Nitrate | 7757-79-1 | No | Yes | No | Yes | Yes | Yes |
| Aluminum | 7429-90-5 | Yes | Yes | Yes | Yes | Yes | Yes |

The following statement(s) are provided under the California Safe Drinking Water and Toxic Enforcement Act of 1986 (Proposition 65):

WARNING! This product contains a chemical known to the state of California to cause cancer. WARNING! This product contains a chemical known to the state of California to cause reproductive/developmental effects.

Additional Regulatory Information

Component Analysis – Inventory

| Component | CAS # | TSCA | CAN | EEC |
|-------------------|-----------|------|-----|--------|
| Potassium Nitrate | 7757-79-1 | Yes | DSL | EINECS |
| Aluminum | 7429-90-5 | Yes | DSL | EINECS |

*** Section 16 – Other Information ***

Key/Legend

EPA = Environmental Protection Agency; TSCA = Toxic Substance Control Act; ACGIH = American Conference of Governmental Industrial Hygienists; IARC = International Agency for Research on Cancer; NIOSH = National Institute for Occupational Safety and Health; NTP = National Toxicology Program; OSHA = Occupational Safety and Health Administration., NJTSR = New Jersey Trade Secret Registry; EINECS = European Inventory of Existing Commercial Chemical Substances; DSL = Domestic Substances List (Canadian).

Literature References

None

End of Sheet



Fiche de données de sécurité

Nom du produit : PowerSet Solo and Select Power Charges

*** Section 1 – Identification du produit et de la société ***

Informations sur le fabricant

Hunting Titan
143 HCR 4361
Milford, TX 76670
Téléphone : 972-493-2580

Hunting Energy Services
Level 25, 108 St. Georges Terrace
Perth, WA 6000
Téléphone : 0428 877 632

Numéro d'urgence Chemtrec : 800-424-9300

Numéro d'urgence international Chemtrec :

| | | | |
|--------------------|---------------------------------------------|---------------------|-------------------------------------------------|
| Argentina | 54-1159839431 | Mexico | 800-681-9531 (Toll Free) |
| Australia | 61-290372994 | Netherlands | 31-858880596 |
| Brazil | 55-2139581449 0800 892 0479 (Toll Free) | New Zealand | 64-98010034 |
| Chile | 56 2 2581 4934 | Nigeria | 234 1 227 8883 |
| China | 4001-204937 | Peru | 51-17071295 |
| Colombia | 01800-710-2151 (Toll Free) | Philippines | +63 2 8395 3308 1-800-1-116-1020 (Toll Free) |
| Costa Rica | 506-40003869 | Poland | 48-223988029 |
| Czech Republic | 420-228880039 | Romania | 40-37-6300026 |
| Denmark | 45-69918573 | Russia | 8-800-100-6346 (Toll Free) |
| Dominican Republic | 1 (829) 956-7588 | Saudi Arabia | 966-8111095861 |
| France | 33-975181407 | Singapore | 65-31581349 800-101-2201 (Toll Free) |
| Germany | 49-69643508409 0800-181-7059 (Toll Free) | South Africa | 0-800-983-611 (Toll Free) |
| India | 000-800-100-7141 (Toll Free) | Thailand | 001-800-13-203-9987 (Toll Free) |
| Indonesia | 001-803-017-9114 (Toll Free) | Trinidad and Tobago | 1-868-224-5716 |
| Italy | 39-0245557031 800-789-767 (Toll Free) | Turkey | 90-212-7055340 |
| Japan | 81-345209637 | Ukraine | 380-947101374 |
| Malaysia | 60-392125794 1-800-815-308 (Toll Free) | United Kingdom | 44-870-8200418 44-2038073798 |

Fiche de données de sécurité

Nom du produit : PowerSet Solo and Select Power Charges

*** Section 2 – Identification des dangers ***

Classification SGH :

Explosifs – Division 1.4

ÉLÉMENTS D'ÉTIQUETTE SGH

Symbole(s)



Mot de signalement

Attention

Déclaration sur les risques

Risque d'incendie ou de projection.

Déclaration de précautions

Prévention

Tenir à l'écart de la chaleur, des surfaces chaudes, des étincelles, des flammes nues et de toute autre source d'inflammation. Ne pas fumer.

Éviter les abrasions/les chocs/les impacts/les flammes/les frottements.

Se laver soigneusement les mains, les avant-bras et toutes autres surfaces exposées après manipulation.

Ne pas tenter de démonter.

Ne pas consommer de denrées alimentaires, de boissons ou de tabac dans un secteur où ils risquent d'être contaminés par ces produits. Se laver immédiatement et abondamment à l'eau et au savon après manipulation ou toute autre exposition.

Porter des gants de protection, des vêtements de protection et un dispositif de protection des yeux.

Intervention

Risque d'explosion en cas d'incendie. NE PAS combattre l'incendie lorsque le feu atteint les explosifs, évacuer la zone sur une distance d'au moins 1640 pieds (500 mètres).

Des vapeurs corrosives peuvent être produites par le feu.

Le nettoyage doit être effectué uniquement par du personnel spécialisé dans la manipulation des explosifs. Isoler la zone et enlever les sources d'impact, de frottement, de flamme, de chaleur.

Porter des lunettes de sécurité, des gants et un respirateur antipoussière (si l'endroit est poussiéreux). Nettoyer, balayer avec des équipements anti-étincelles.

Entreposage

Entreposer conformément aux lois locales, régionales, nationales et internationales.

Élimination

Éliminer le contenu/réceptacle conformément aux lois locales, régionales, nationales et internationales.

Autres dangers

PRÉVENTION DES ACCIDENTS LIÉS À L'UTILISATION D'EXPLOSIFS : la prévention des accidents lors de l'utilisation d'explosifs est le résultat d'une planification et d'une observation rigoureuses des bonnes pratiques connues. Il faut rappeler aux utilisateurs d'explosifs qu'ils ont affaire à une force puissante et que divers dispositifs et méthodes ont été mis au point pour les aider à contrôler cette force. Ils doivent se rendre compte que cette force, si elle est mal encadrée, peut les tuer ou les blesser, eux et leurs collègues.



Fiche de données de sécurité

Nom du produit : PowerSet Solo and Select Power Charges

ATTENTION : tous les explosifs sont dangereux et doivent être manipulés et utilisés avec précaution, conformément aux procédures de sécurité agréées, soit par des personnes compétentes et expérimentées, soit sous la direction de personnes compétentes et expérimentées, conformément à toutes les lois, réglementations ou ordonnances fédérales, étatiques et locales applicables. Si vous avez des questions ou des doutes sur la façon d'utiliser un produit explosif, NE L'UTILISEZ PAS avant d'avoir consulté votre superviseur ou le fabricant, si vous n'avez pas de supérieur. Si votre superviseur a des questions ou des doutes, il doit consulter le fabricant avant l'utilisation.

*** Section 3 – Composition / informations sur les composants ***

| Composant | No CAS | % |
|------------------------------|-----------|--------|
| Nitrate de potassium | 7757-79-1 | < 67 % |
| Aluminium | 7429-90-5 | < 20 % |
| Époxy (résine et durcisseur) | | < 85 % |

*** Section 4 – Premiers soins ***

Premiers soins : Yeux

Pour l'exposition à la poussière : Immédiatement rincer abondamment les yeux à l'eau pendant au moins 30 minutes. Enlever les lentilles de contact si la victime en porte et si elles peuvent être facilement enlevées. Continuer à rincer. Consulter immédiatement un médecin.

Premiers soins : Peau

Pour l'exposition à la poussière : Immédiatement rincer abondamment la peau à l'eau pendant au moins 30 minutes. Consulter immédiatement un médecin.

Premiers soins : Ingestion

Voie d'entrée improbable dans des conditions normales de manipulation du produit.

Premiers soins : Inhalation

Pour l'exposition à la poussière ou aux fumées : Transporter la victime à l'air frais et la maintenir au repos dans une position où elle peut confortablement respirer. Appeler immédiatement un centre antipoison, un médecin ou un service médical d'urgence. En utilisant la protection respiratoire adéquate, transporter immédiatement la victime à l'air frais. Encourager la personne exposée à tousser, cracher et se moucher pour éliminer la poussière.

*** Section 5 – Mesures de lutte contre l'incendie ***

Risques généraux d'incendie

Voir les propriétés d'inflammabilité à la Section 9.

Peut déflagrer en cas d'impact, de flamme ou de chaleur. Des éclats dangereux sont projetés par la détonation/déflagration. Risque d'explosion en cas d'incendie.

Explosif, peut provoquer un incendie et des explosions secondaires. Peut aggraver un incendie.

Explosifs, division 1.4 – Explosifs (sans danger de souffle notable). La chaleur peut augmenter la pression, la rupture des récipients fermés, la propagation du feu et un risque accru de brûlures et de blessures.

Danger d'incendie ou de projection.

Produits de combustion dangereux

Des vapeurs corrosives peuvent être produites par le feu.

Moyens d'extinction

Aucune

Moyens d'extinction inappropriés

Aucune



Fiche de données de sécurité

Nom du produit : PowerSet Solo and Select Power Charges

Instructions/équipement de lutte contre les incendies

NE COMBATTEZ PAS LES INCENDIES ! RISQUE D'EXPLOSION ! Isoler la zone. Évacuer la zone sur une distance d'au moins 1640 pieds (500 mètres). Prévenir la réentrée dans la zone. La décomposition thermique peut entraîner la libération de gaz et de vapeurs irritantes.

Pour plus de détails, consulter le Guide des interventions d'urgence publié par le Département des transports des États-Unis (Department of Transportation, D.O.T.) ou le personnel local d'intervention d'urgence.

*** Section 6 – Mesures à prendre en cas de déversement accidentel ***

Récupération et neutralisation

Aucune

Matériaux et méthodes de nettoyage

Le nettoyage doit être effectué uniquement par du personnel spécialisé dans la manipulation des explosifs. Isoler la zone et enlever les sources d'impact, de frottement, de flamme, de chaleur. Nettoyer, balayer avec des équipements anti-étincelles. Éviter de produire de la poussière. Éviter tout contact avec les yeux, la peau ou les vêtements. Ne pas respirer les poussières ou les fumées.

Mesures en cas d'urgence

Isoler la zone. Éloigner le personnel non indispensable.

Précautions personnelles et équipement de protection

Porter des lunettes de sécurité, des gants et un respirateur antipoussière (si l'endroit est poussiéreux).

Précautions environnementales

Éviter le rejet dans l'environnement.

Prévention de risque secondaires

Aucune

*** Section 7 – Manutention et stockage ***

Procédures de manipulation

Tenir à l'écart des impacts, des frottements, des flammes ou de la chaleur. Ne pas tenter de démonter. Ne pas consommer de denrées alimentaires, de boissons ou de tabac dans un secteur où ils risquent d'être contaminés par ces produits. Se laver immédiatement et abondamment à l'eau et au savon après manipulation ou toute autre exposition.

Procédures d'entreposage

Stocké conformément aux exigences de sécurité locales et réglementaires.

Incompatibilités

Acides forts, bases fortes et oxydants forts.

*** Section 8 – Contrôles de l'exposition/protection individuelle ***

Limites d'exposition des composants

Aluminium (7429-90-5)

ACGIH : 1 mg/m³ MPT (matière particulaire respirable)

OSHA : 15 mg/m³ MPT (poussière totale) ; 5 mg/m³ MPT (fraction respirable)

NIOSH : 10 mg/m³ MPT (poussière totale) ; 5 mg/m³ MPT (fraction respirable)

Mesures d'ingénierie

Non requis dans des conditions d'utilisation normales.

Équipement de protection individuelle : Voies respiratoires

Non requis dans des conditions d'utilisation normales.

Équipement de protection individuelle : Mains

Non requis dans des conditions d'utilisation normales.

Porter des gants de protection pour manipuler le contenu des unités endommagées ou non étanches.



Fiche de données de sécurité

Nom du produit : PowerSet Solo and Select Power Charges

Équipement de protection individuelle : Yeux

Lunettes de sécurité recommandées.

Équipement de protection individuelle : Corps et peau

Vêtements de protection pour le travail.

*** Section 9 – Propriétés physiques et chimiques ***

| | | | |
|-------------------------------------|-----------------------------------------------------------------------|--------------------------------------|--------------------|
| État physique : | Solide | Odeur : | Aucune |
| Taux d'évaporation : | Absence de données | Seuil olfactif : | Absence de données |
| Point de fusion : | Absence de données | pH : | Absence de données |
| Point de congélation : | Absence de données | Inflammabilité (solide, gaz) : | Absence de données |
| Point d'ébullition : | Absence de données | Pression de vapeur : | Absence de données |
| Point d'éclair : | Absence de données | Densité de vapeur relative à 20 °C : | Absence de données |
| Température d'auto-inflammabilité : | Absence de données | Densité relative : | Absence de données |
| Température de décomposition : | Absence de données | Solubilité (H2O) : | Absence de données |
| Viscosité : | Absence de données | Coefficient octanol/H2O : | Absence de données |
| Propriétés explosives : | Explosifs, division 1.4 – Explosifs (sans danger de souffle notable). | | |
| Propriétés comburantes : | Peut aggraver un incendie. | | |

*** Section 10 – Informations sur la stabilité chimique et la réactivité ***

Stabilité chimique

Matériau stable dans des conditions normales d'utilisation.

Possibilité de réaction dangereuse

Peut exploser en cas de choc, d'impact, de frottement, de chaleur ou de manipulation brutale.

Conditions à éviter

Tenir à l'écart de la lumière directe du soleil, des températures extrêmes, des étincelles, de la chaleur, des sources d'inflammation et des matières combustibles.

Éviter l'accumulation de poussière pour réduire les dangers d'explosion.

Conserver à l'écart des agents oxydants.

Produits incompatibles

Acides forts, bases fortes et oxydants forts.

Produits de décomposition dangereux

La décomposition thermique génère des vapeurs corrosives.

*** Section 11 – Données toxicologiques ***

Toxicité aiguë

A : Informations générales sur le produit

Power charges ne présente pas de danger pour la santé en cas de manipulation et d'utilisation normales.

Toutefois, il s'agit d'un produit explosif dont la déflagration ou détonation peut causer des blessures graves voire mortelles.

B : Analyse des composants – DL50/CL50

Nitrate de potassium (7757-79-1)

DL50 orale chez le rat 3 015 mg/kg ; DL50 dermique chez le rat > 5 000 mg/kg

Répercussions potentielles sur la santé : Corrosion cutanée/stimulation

Le contact des poussières avec la peau provoque des brûlures de la peau et des lésions oculaires graves

Répercussions potentielles sur la santé : Dommage oculaire/stimulation

Le contact des poussières avec les yeux peut causer des dommages oculaires graves.



Fiche de données de sécurité

Nom du produit : PowerSet Solo and Select Power Charges

Répercussions potentielles sur la santé : Ingestion

Voie d'entrée improbable dans des conditions normales d'utilisation.

Répercussions potentielles sur la santé : Inhalation

Peut provoquer des troubles du système nerveux dont des maux de tête et des vertiges en cas d'inhalation des poudres.

Sensibilisation des organes respiratoires/sensibilisation de la peau

Peut provoquer des symptômes d'allergie ou d'asthme ou des difficultés respiratoires en cas d'inhalation des poudres. Peut provoquer une allergie cutanée.

Mutagénicité des cellules reproductrices

Ce produit n'est pas signalé comme ayant des effets mutagènes.

Cancérogénicité

A : Informations générales sur le produit

Ce produit n'est pas signalé comme ayant des effets cancérogènes.

B : Cancérogénicité des composants

Reprotoxicité

Ce produit n'est pas signalé comme ayant des effets toxiques sur l'appareil reproducteur.

Toxicité spécifique pour certains organes cibles : Exposition unique

Peut irriter les voies respiratoires.

Toxicité spécifique pour certains organes cibles Exposition répétée

Aucun effet de toxicité générale sur des organismes cibles spécifiques suite à une exposition répétée n'est signalé pour ce produit.

Risques d'absorption par aspiration

Aucun danger d'aspiration n'est signalé pour ce produit.

* * * Section 12 – Données écologiques * * *

Écotoxicité

A : informations générales sur le produit

Aucune information disponible pour le produit.

B : Analyse des composants – Écotoxicité – Toxicité aquatique

Nitrate de potassium (7757-79-1)

Test et espèces

CE50 Daphnia 1

490 mg/l

Persistance/Dégradabilité

Aucune information disponible pour le produit.

Bioaccumulation

Aucune information disponible pour le produit.

Mobilité dans le sol

Aucune information disponible pour le produit.

* * * Section 13 – Élimination * * *

Instructions relatives à l'élimination des déchets

Voir les procédures de manipulation à la Section 7. Voir les recommandations relatives aux équipements de protection individuelle à la Section 8.



Fiche de données de sécurité

Nom du produit : PowerSet Solo and Select Power Charges

Élimination des contenants ou emballages contaminés

Éliminer le contenu/réceptacle conformément aux réglementations locales, régionales, nationales et internationales. Le réceptacle peut demeurer dangereux même lorsqu'il est vide. Continuer à se conformer à toutes les précautions.

*** Section 14 – Informations relatives au transport ***

Information sur le Département des Transports des États-Unis

Nom d'expédition : Cartouches, puits de pétrole

No UN : 0278 Classe de risque : 1.4C

*** Section 15 – Informations réglementaires ***

Réglementation fédérale des États-Unis

A : Analyse des composants

| Composant | No CAS | SARA Section 313 (40 CFR 372.65) |
|-----------|-----------|-------------------------------------|
| Aluminium | 7429-90-5 | 1 % (poussière ou fumée uniquement) |

B : Composant de polluants marins

Aucun des composants de cet article ne contient de produits chimiques que le Département des transports des États-Unis considère comme polluants marins.

Réglementations des États

Analyse des composants – État

Les composants suivants figurent sur une ou plusieurs des listes de substances dangereuses suivantes :

| Composant | No CAS | CA | MA | MN | NJ | PA | RI |
|----------------------|-----------|--------|-----|--------|-----|-----|-----|
| Nitrate de potassium | 7757-79-1 | Aucune | Oui | Aucune | Oui | Oui | Oui |
| Aluminium | 7429-90-5 | Oui | Oui | Oui | Oui | Oui | Oui |

La ou les déclarations suivantes sont fournies en vertu du décret d'application de 1986 sur la Sécurité de l'eau potable et les substances toxiques (Proposition 65) de la Californie :

ATTENTION ! Ce produit contient un agent chimique reconnu par l'État de Californie comme pouvant causer le cancer. ATTENTION ! Ce produit contient un agent chimique reconnu par l'État de Californie comme pouvant causer des troubles de la reproduction et du développement.

Informations réglementaires supplémentaires

Analyse des composants - Inventaire

| Composant | No CAS | TSCA | CAN | CEE |
|----------------------|-----------|------|-----|--------|
| Nitrate de potassium | 7757-79-1 | Oui | LIS | EINECS |
| Aluminium | 7429-90-5 | Oui | LIS | EINECS |



Fiche de données de sécurité

Nom du produit : PowerSet Solo and Select Power Charges

| |
|-----------------------------------------------------|
| * * * Section 16 – Autres informations * * * |
|-----------------------------------------------------|

Légende

EPA = Environmental Protection Agency (Agence américaine de protection de l'environnement) ; TSCA = Toxic Substance Control Act (Loi relative au contrôle des substances toxiques) ; ACGIH = American Conference of Governmental Industrial Hygienists (Conférence américaine des hygiénistes industriels gouvernementaux) ; IARC = International Agency for Research on Cancer (Centre international de recherche sur le cancer) ; NIOSH = National Institute for Occupational Safety and Health (Institut national pour la sécurité et la santé au travail) ; NTP = National Toxicology Program (Programme national de toxicologie) ; OSHA = Occupational Safety and Health Administration (Administration de l'hygiène et de la médecine du travail) ; NJTSR = New Jersey Trade Secret Registry (Registre des secrets industriels du New Jersey) ; EINECS = European Inventory of Existing Commercial Chemical Substances (Inventaire européen des substances chimiques commerciales existantes) ; DSL = Domestic Substances List (Liste intérieure des substances) (Canada).

Références

Aucune

Fin de la fiche



Hoja de Datos de Seguridad

Nombre del producto: PowerSet Solo and Select Power Charges (cargadores)

*** Sección 1 – Identificación del Producto y la Compañía ***

Información del fabricante

Hunting Titan
143 HCR 4361
Milford, TX 76670
Teléfono: 972-493-2580

Hunting Energy Services
Level 25, 108 St. Georges Terrace
Perth, WA 6000
Teléfono: 0428 877 632

Número de emergencia de Chemtrec 800-424-9300

Número internacional de emergencia de Chemtrec:

| | | | |
|--------------------|---------------------------------------------|---------------------|-------------------------------------------------|
| Argentina | 54-1159839431 | Mexico | 800-681-9531 (Toll Free) |
| Australia | 61-290372994 | Netherlands | 31-858880596 |
| Brazil | 55-2139581449 0800 892 0479 (Toll Free) | New Zealand | 64-98010034 |
| Chile | 56 2 2581 4934 | Nigeria | 234 1 227 8883 |
| China | 4001-204937 | Peru | 51-17071295 |
| Colombia | 01800-710-2151 (Toll Free) | Philippines | +63 2 8395 3308 1-800-1-116-1020 (Toll Free) |
| Costa Rica | 506-40003869 | Poland | 48-223988029 |
| Czech Republic | 420-228880039 | Romania | 40-37-6300026 |
| Denmark | 45-69918573 | Russia | 8-800-100-6346 (Toll Free) |
| Dominican Republic | 1 (829) 956-7588 | Saudi Arabia | 966-8111095861 |
| France | 33-975181407 | Singapore | 65-31581349 800-101-2201 (Toll Free) |
| Germany | 49-69643508409 0800-181-7059 (Toll Free) | South Africa | 0-800-983-611 (Toll Free) |
| India | 000-800-100-7141 (Toll Free) | Thailand | 001-800-13-203-9987 (Toll Free) |
| Indonesia | 001-803-017-9114 (Toll Free) | Trinidad and Tobago | 1-868-224-5716 |
| Italy | 39-0245557031 800-789-767 (Toll Free) | Turkey | 90-212-7055340 |
| Japan | 81-345209637 | Ukraine | 380-947101374 |
| Malaysia | 60-392125794 1-800-815-308 (Toll Free) | United Kingdom | 44-870-8200418 44-2038073798 |



Hoja de Datos de Seguridad

Nombre del producto: PowerSet Solo and Select Power Charges (cargadores)

*** Sección 2 – Identificación de Riesgos ***

Clasificación GHS:

Explosivos: división 1.4

ELEMENTOS DE LA ETIQUETA GHS

Signo(s)



Palabra de Señalización

Atención

Declaraciones de Riesgos

Riesgo de incendio o explosión.

Declaraciones de Precaución

Prevención

Mantener alejado del calor, de superficies calientes, de chispas, de llamas abiertas y de cualquier otra fuente de ignición. No fumar.

No moler ni someter a choque/impacto/llama/calor/fricción.

Lavarse a fondo las manos, los antebrazos y otras zonas expuestas tras la manipulación.

No intentar desmontar.

No consumir alimento, bebidas ni tabaco en una zona donde puedan contaminarse con estos materiales. Tras su manipulación u otra exposición, lavarse inmediatamente y con cuidado con agua y jabón.

Llevar guantes, prendas y gafas de protección.

Respuesta

Riesgo de explosión en caso de incendio. NO trate de extinguir el fuego cuando llegue a los explosivos; evacue el área a por lo menos 1,640 pies (500 metros).

Pueden producirse vapores corrosivos en un incendio.

La limpieza debe ser efectuada solamente por personal con experiencia en el manejo de explosivos. Aísle el área y retire las fuentes de impacto, fricción, flama, calor.

Use lentes de seguridad, guantes y respirador contra polvo (si hay polvo en el área). Limpieza: barrer usando herramientas que no produzcan chispas.

Almacenamiento

Almacenar conforme a los reglamentos locales, regionales, nacionales e internacionales.

Disposición

Disponer de contenido o recipiente conforme a los reglamentos locales, regionales, nacionales e internacionales.

Otros peligros

PREVENCIÓN DE ACCIDENTES EN EL USO DE EXPLOSIVOS: la prevención de accidentes en el uso de explosivos es el resultado de una planificación cuidadosa y de seguir las mejores prácticas conocidas. El usuario de explosivos debe recordar que trata con una fuerza poderosa y que se han desarrollado varios dispositivos y métodos para ayudarles a dirigir esta fuerza. Debería darse cuenta de que esta fuerza, si se dirige mal, puede matarle o herirle, así como a sus compañeros de trabajo.



Hoja de Datos de Seguridad

Nombre del producto: **PowerSet Solo and Select Power Charges (cargadores)**

ATENCIÓN: todos los explosivos son peligrosos y deben manipularse y usarse con cuidado siguiendo los procedimientos de seguridad aprobados por o bajo la dirección de personas competentes y experimentadas, de acuerdo con todas las leyes, normativas u ordenanzas federales, estatales y locales aplicables. Si tiene alguna pregunta o duda sobre cómo usar un producto explosivo, NO LO USE antes de hablar con su supervisor, o el fabricante, si no tiene asignado un supervisor. Si su supervisor tiene alguna pregunta o duda, debería consultarla con el fabricante antes del uso.

*** Sección 3 – Composición / Información sobre Ingredientes ***

| Componente | # CAS | % |
|------------------------------|-----------|--------|
| Nitrato de potasio | 7757-79-1 | < 67 % |
| Aluminio | 7429-90-5 | < 20 % |
| Epoxi (resina y endurecedor) | | < 85 % |

*** Sección 4 - Medidas de Primeros Auxilios ***

Primeros Auxilios: Ojos

Para la exposición al polvo: Lavar inmediatamente los ojos con abundante agua durante al menos 30 minutos. Quitar las lentes de contacto, si lleva y resulta fácil. Seguir aclarando. Consultar a un médico inmediatamente.

Primeros Auxilios: Piel

Para la exposición al polvo: Lavar inmediatamente la piel con abundante agua durante al menos 30 minutos. Consultar a un médico inmediatamente.

Primeros Auxilios: Ingestión

En condiciones normales de manipulación del producto, no es una vía de entrada prevista.

Primeros Auxilios: Inhalación

Para la exposición al polvo o humo: Mover a la víctima a un espacio abierto y dejarla descansar en una posición que le permita respirar con comodidad. Llamar inmediatamente a un centro de toxicología, a un médico o a los servicios médicos de urgencias. Utilizando la protección respiratoria adecuada, trasladar inmediatamente a la persona expuesta al aire libre. Pedir a la persona afectada que tosa, escupa y se suene la nariz para eliminar el polvo.

*** Sección 5 – Medidas de Extinción de Incendios ***

Riesgos Generales de Incendios

Vea la Sección 9 para conocer las Propiedades de inflamabilidad.

Puede producirse una deflagración por un impacto, una llama o el calor. La detonación / deflagración crea fragmentos peligrosos. Riesgo de explosión en caso de incendio.

Explosivo, podría provocar un incendio y explosiones secundarias. Puede agravar un incendio.

Explosivos, división 1.4: explosivos (sin peligro de explosión importante). El calor podría causar un aumento de la presión, creando fugas en los contenedores cerrados, extendiendo el fuego y aumentando el riesgo de quemaduras y lesiones.

Peligro de incendio o de proyección.

Productos Peligrosos de su Combustión

Pueden producirse vapores corrosivos en un incendio.

Medios de Extinción

Ninguno

Medios de Extinción no Adecuados

Ninguno



Hoja de Datos de Seguridad

Nombre del producto: **PowerSet Solo and Select Power Charges (cargadores)**

Equipo Contra Incendio/Instrucciones

¡NO TRATE DE EXTINGUIR LOS INCENDIOS! ¡PUEDE OCURRIR UNA EXPLOSIÓN! Aislar el área. Evacuar el área por lo menos a 1,500 pies (460 metros). Impedir la reentrada. Una descomposición térmica puede producir la expulsión de vapores y gases irritantes.

Consultar la Guía de respuesta a emergencias D.O.T. de los EE. UU. o al personal de emergencia local para obtener más información.

*** Sección 6 – Medidas por Liberación Accidental ***

Recuperación y Neutralización

Ninguno

Materiales y Métodos de Limpieza

Solo puede limpiar el personal con experiencia en manipulación de explosivos. Aislar la zona y eliminar las fuentes de impacto, fricción, llama y calor. Limpiar; barrer con herramientas que no suelten chispas. Evitar generar polvo. Evitar el contacto con los ojos, la piel o la ropa. No respirar el polvo o los humos.

Medidas de Emergencia

Aislar la zona. Mantener alejado a todo el personal que no sea necesario.

Precauciones Personales y Equipo de Protección

Llevar gafas y guantes de protección y mascarilla antipolvo (si hay polvo en la zona).

Precauciones Ambientales

Evitar su liberación al medio ambiente.

Prevención de Riesgos Secundarios

Ninguna

*** Sección 7 – Manejo y Almacenamiento ***

Procedimientos de Manejo

Alejar del impacto, la fricción, la llama o el calor. No intentar desmontar. No consumir alimentos, bebidas ni tabaco en una zona donde se puedan contaminar con estos materiales. Tras su manipulación u otra exposición, lavarse inmediatamente y con cuidado con agua y jabón.

Procedimientos de Almacenamiento

Almacenar conforme a los requisitos de seguridad y reglamentarios locales.

Incompatibilidades

Ácidos fuertes, bases fuertes y muy comburentes.

*** Sección 8 - Controles de Exposición / Protección Individual ***

Límites de Exposición del Componente

Aluminio (7429-90-5)

ACGIH: 1 mg/m³ TWA (partículas respirables)

OSHA: 15 mg/m³ TWA (polvo total); 5 mg/m³ TWA (fracción respirable)

NIOSH: 10 mg/m³ TWA (polvo total); 5 mg/m³ TWA (polvo respirable)

Medidas de Ingeniería

No se necesitan en condiciones normales de manipulación del producto.

Equipo de Protección Personal: Respiratorio

No se necesitan en condiciones normales de manipulación del producto.

Equipo de Protección Personal: Manos

No se necesitan en condiciones normales de manipulación del producto.

Llevar guantes de protección para manipular contenidos de unidades dañadas o con fugas.

Equipo de Protección Personal: Ojos

Se recomiendan gafas de seguridad.



Hoja de Datos de Seguridad

Nombre del producto: PowerSet Solo and Select Power Charges (cargadores)

Equipo de Protección Personal: Piel y Cuerpo

Ropa de trabajo de protección.

*** Sección 9 – Propiedades Físicas y Químicas ***

| | | | |
|--------------------------------|-----------------------------------------------------------------------------|-------------------------------------|---------|
| Estado Físico: | Sólido | Olor: | Ninguno |
| Tasa de Evaporación: | ND | Umbral Olfativo: | ND |
| Punto de Fusión: | ND | pH: | ND |
| Punto de Congelación: | ND | Inflamabilidad (sólido, gas): | ND |
| Punto de Ebullición: | ND | Presión de Vapor: | ND |
| Punto de Inflamación: | ND | Densidad de Vapor Relativa a 20 °C: | ND |
| Temperatura de Autoignición: | ND | Densidad Relativa: | ND |
| Temperatura de Descomposición: | ND | Solubilidad (H2O): | ND |
| Viscosidad: | ND | Coefficiente Octanol/H2O: | ND |
| Propiedades Explosivas: | Explosivos, división 1.4: explosivos (sin peligro de explosión importante). | | |
| Propiedades Comburentes: | Puede agravar un incendio. | | |

*** Sección 10 – Información de Estabilidad Química y Reactividad ***

Estabilidad Química

Este material es estable en condiciones normales.

Potencial Peligrosa Potencial

Puede explotar si se le somete a choques, impactos, fricción, calor o una manipulación brusca.

Condiciones a Evitar

Mantener el producto lejos de la luz solar directa, temperaturas extremas, chispas, calor, fuentes de ignición y materiales incompatibles.

Evitar acumulación de polvo para minimizar el riesgo de explosión.

Almacenar lejos de agentes comburentes.

Productos Incompatibles

Ácidos fuertes, bases fuertes y muy comburentes.

Productos Peligrosos de su Descomposición

La descomposición térmica genera vapores corrosivos.

*** Sección 11 – Información Toxicológica ***

Toxicidad Aguda

A: Información General del Producto

Las cargas potentes no presentan un peligro para la salud durante una manipulación y un uso normales. Sin embargo, este es un producto explosivo y una deflagración o detonación puede provocar heridas físicas graves, incluso la muerte.

B: Análisis de Componentes – LD50/LC50

Nitrato de potasio (7757-79-1)

LD50 oral en ratas 3015 mg/kg; LD50 cutánea en ratas >5000 mg/kg

Efectos Potenciales en la Salud: Propiedad de Corrosión / Hipersensibilidad de la Piel

El contacto con el polvo puede provocar quemaduras graves en la piel y lesiones oculares graves.

Efectos Potenciales en la Salud: Daños Críticos / Hipersensibilidad en Ojos

El contacto del polvo con los ojos puede provocar graves daños oculares.



Hoja de Datos de Seguridad

Nombre del producto: PowerSet Solo and Select Power Charges (cargadores)

Efectos Potenciales en la Salud: Ingestión

No es una vía de entrada prevista en condiciones normales de uso del producto.

Efectos Potenciales en la Salud: Inhalación

La inhalación de los polvos puede provocar irregularidades en el sistema nervioso, lo que incluye dolores de cabeza y mareos.

Sensibilización de Órganos Respiratorios / Piel

La inhalación de polvos puede provocar síntomas de asma o alergia, o dificultad para respirar si se inhala. Puede provocar una reacción alérgica en la piel.

Mutagenicidad en Células Generativas

No se han notificado efectos mutagénicos.

Efecto Cancerígeno

A: Información General del Producto

No se han notificado efectos cancerígenos.

B: Efecto Cancerígeno del Componente

Toxicidad Reproductiva

No se han notificado efectos de toxicidad para la reproducción en este producto.

Toxicidad General en Órganos Objetivo Especificados: Exposición única

Puede irritar las vías respiratorias.

Toxicidad General en Órganos Objetivo Especificados: Exposición repetida

No se han notificado efectos de toxicidad general específica en determinados órganos con exposición repetida.

Riesgo a los Órganos Respiratorios por Aspiración

No se han notificado peligros por aspiración.

* * * Sección 12 – Información Ecológica * * *

Ecotoxicidad

A: Información General del Producto

No hay información disponible para el producto.

B: Análisis de Componentes – Ecotoxicidad – Toxicidad Acuática

Nitrato de potasio (7757-79-1)

Prueba y especies

EC50 en Daphnia 1

490 mg/l

Persistencia/Degradabilidad

No hay información disponible para el producto.

Bioacumulación

No hay información disponible para el producto.

Movilidad en el Suelo

No hay información disponible para el producto.

* * * Sección 13 – Consideraciones para Eliminación * * *

Instrucciones para disposición de Residuos

Vea la Sección 7 para conocer los Procedimientos de manipulación. Vea la Sección 8 para conocer el Equipo de protección individual recomendado.

Disposición de Recipientes o Envases Contaminados

Eliminar el contenido o el recipiente conforme a la normativa local, regional, nacional e internacional vigente. El contenedor puede seguir siendo peligroso incluso vacío. Continuar observando todas las precauciones.



Hoja de Datos de Seguridad

Nombre del producto: PowerSet Solo and Select Power Charges (cargadores)

*** Sección 14 – Información de Transporte ***

Información del Departamento de Transportes de los Estados Unidos (US DOT)

Nombre al embarcar: Cartuchos para pozo petrolífero

UN #: 0278 Clase de peligro: 1.4C

*** Sección 15 – Información Regulatoria ***

Reglamentos Federales de los Estados Unidos

A: Análisis de Componentes

| Componente | N.º CAS | SARA Sección 313 (40 CFR 372.65) |
|------------|-----------|-------------------------------------|
| Aluminio | 7429-90-5 | 1 % (solo polvo o humo) |

B: Componentes Contaminantes Marinos

Ninguno de los componentes de este artículo contiene sustancias químicas que el Departamento de transportes de los EE. UU. requiera identificar como contaminantes marinos.

Regulaciones Estatales

Análisis del Componente: Estado

Los siguientes componentes aparecen en una o más de las listas estatales de sustancias peligrosas:

| Componente | # CAS | CA | MA | MN | NJ | PA | RI |
|--------------------|-----------|----|----|----|----|----|----|
| Nitrato de potasio | 7757-79-1 | No | Sí | No | Sí | Sí | Sí |
| Aluminio | 7429-90-5 | Sí | Sí | Sí | Sí | Sí | Sí |

La(s) siguiente(s) declaración(es) se proporcionan siguiendo la Ley de cumplimiento de agua potable y sustancias tóxicas de California de 1986 (propuesta 65):

¡ATENCIÓN! Este producto contiene una sustancia química conocida en el estado de California como cancerígena. ¡ATENCIÓN! Este producto contiene una sustancia química conocida en el estado de California por afectar a la reproducción o al desarrollo.

Información Reglamentaria Adicional

Análisis de Componentes: Inventario

| Componente | # CAS | TSCA | CAN | EEC |
|--------------------|-----------|------|-----|--------|
| Nitrato de potasio | 7757-79-1 | Sí | DSL | EINECS |
| Aluminio | 7429-90-5 | Sí | DSL | EINECS |

*** Sección 16 – Otra Información ***

Claves/Leyendas

EPA = Agencia de Protección Ambiental (Environmental Protection Agency); TSCA = Ley de Control de Sustancias Tóxicas (Toxic Substance Control Act); ACGIH = Conferencia Americana de Higienistas Industriales (American Conference of Governmental Industrial Hygienists); IARC = Agencia Internacional para la Investigación sobre Cáncer (International Agency for Research on Cancer); NIOSH = Instituto Nacional para la Seguridad y Salud Ocupacional (National Institute for Occupational Safety and Health); NTP = Programa Nacional de Toxicología (National Toxicology Program); OSHA = Administración para la Seguridad y Salud Ocupacional (Occupational Safety and Health Administration), NJTSR = Registro de Secreto Comercial de Nueva Jersey (New Jersey Trade Secret Registry); EINECS = Inventario Europeo de Sustancias Químicas Comerciales Existentes (European Inventory of Existing Commercial Chemical Substances); DSL = Lista de Sustancias Nacionales de Canadá (Domestic Substances List).

Referencias de Literatura

Ninguna

Fin de Hoja