

Flopetrol - Stretch Simulator

Flopetrol* Stretch Simulators are designed to compensate for insufficient stretch or elasticity of the wireline (for example, at or near the surface).

Stretch simulators are attached above an upstroke jar or a hydraulic jar. When adapted to an upstroke jar, the stretch simulator must be fitted with the appropriate spring.

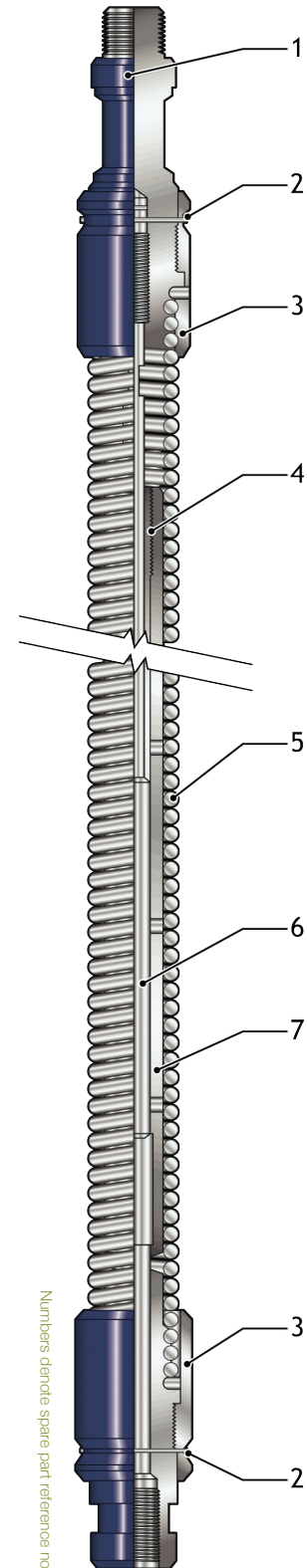
When adapted to an upstroke jar, the stretch simulator must be fitted with the appropriate spring.

FLOPETROL STRETCH SIMULATOR - SPECIFICATIONS		
Jar Size	1 1/2"	2 1/8"
Assembly Number	M-812918 / P-584746	M-810769
Maximum OD	2 1/4" (57.1 mm)	2 5/8" (67 mm)
Length	51.5" (130.8 cm)	50.8" (129 cm)
Standard Spring Tension	400 lbf (180 kg)	1000 lbf (450 kg)
Box Thread	1.31" - (33.3 mm) -10	1.062" (27 mm) - 10
Fishing Head	1.750" (44.4 mm)	1.750" (44.4 mm)
Adaptable Upstroke Jar	M-809695	M-810373

FLOPETROL STRETCH SIMULATOR - SPARE PARTS				
Ref.	Description	Quantity	Assembly	
			For 2 1/4"	For 2 5/8"
1	Fishing Head	1	M-813191	M-810757
2	Pin	2	G-826281	G-823559
3	Spring Protector	2	M-813190	M-810752
4	Stop Screw	1	M-813193	M-810753
5	Spring 200 / 400 lbf**	1	M-812919	-
5	Spring 200 / 400 lbf INCONEL	1	P-584372	-
5	Spring 700 / 1000 lbf**	1	-	M-810759
6	Sliding Rod	1	M-813192	M-810758
7	Body	1	M-813195	M-810756

** Recommended spare parts

2 1/4" - M-812918
2 5/8" - M-810769
2 1/4" INCONEL - P-584746



Wireline Operations - Fishing Tools

